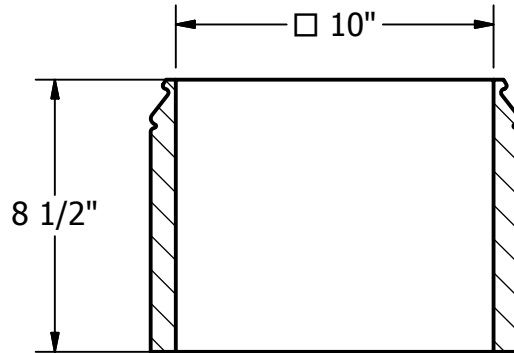
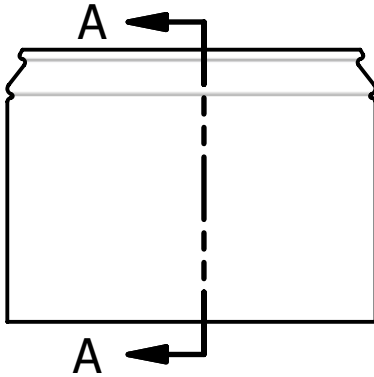
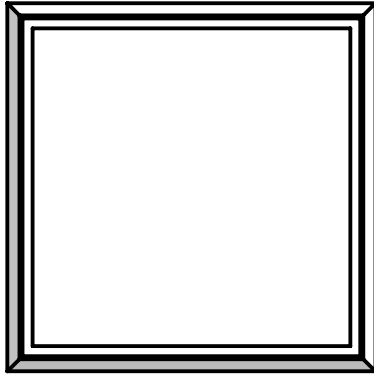


2

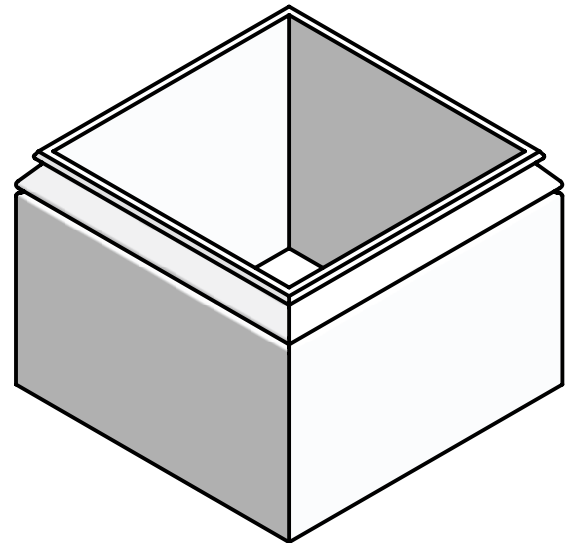
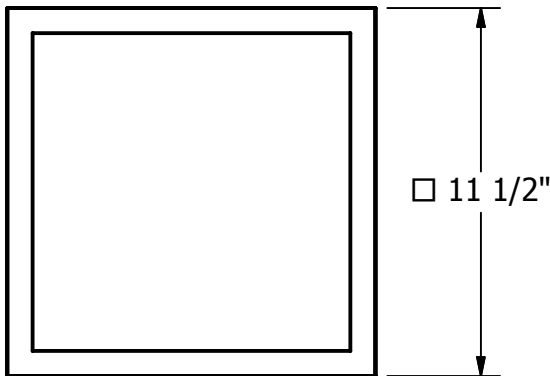
1

NOTES:

- 1. MATERIAL: FIBERGLASS REINFORCED POLYMER (FRP)
- 2. WEIGHT: 14 Lbs.
- 3. INSIDE DIAMETER: 10"
- 4. OUTSIDE DIAMETER: 11 1/2"



SECTION A-A



DRAWN	Bryan Daniels	4/18/2016
CHECKED		
QA		
MFG		
APPROVED		



TITLE
Alto Base 10 Inch

DIMENSIONS ARE IN INCHES
TOLERANCE: ± 1/4"

SIZE A	DWG NO	SQAB5610	REV	03
SCALE	1:6	SHEET 1 OF 1		

2

1

