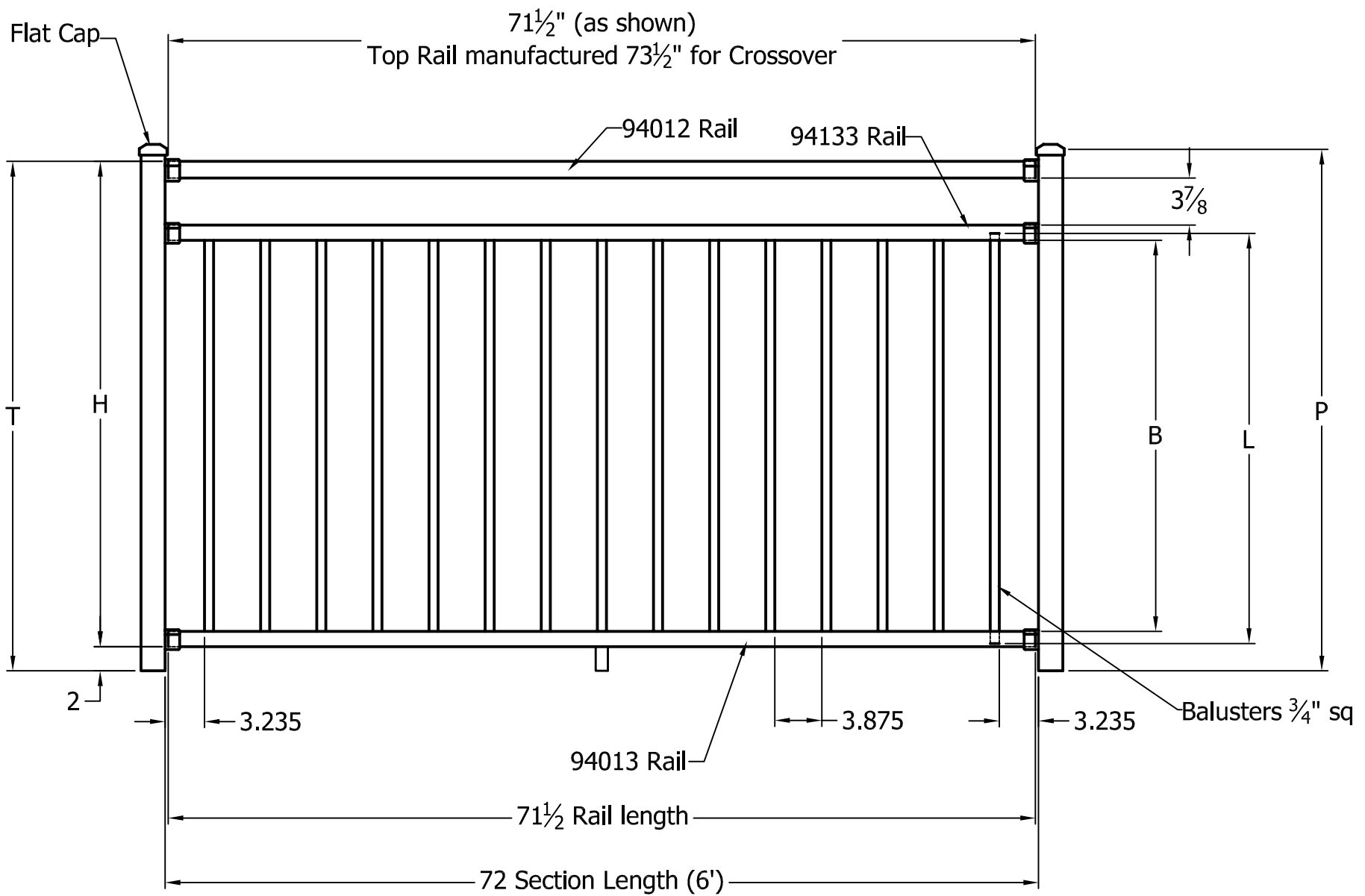


REV.	LOC.	REVISION	DATE
A		RELEASE PENDING APPROVAL	
B		Shortened balusters 1/4" per ECO # 90	06-13-2013



Railing Call Size	T	H	B	S	L	P
36" Railing	36	34	26 1/4	NA	27 13/16	37
42" Railing	42	40	32 1/4	NA	33 13/16	43

FINISH:

**DSI** Digger Specialties, Inc.  
3446 US 6 EAST  
Bremen, IN 46506

SHEET SIZE= C	DRAWN BY: wjm	PART NUMBER:
SCALE = none	DATE DRAWN: 11-04-2009	
STANDARD TOLERANCE: .00 ±.01 FRACTIONS: .000 ±.005 ±1/16" ANG. ±.5°	LOC ACAD: Z:\Aluminum\Westbury\C30 Riviera\C30 Riviera\Section\Level	STYLE: C30 Riviera
DRAFT: 20091113-2	FILE NAME: C30 6 ft Section	SHEET OF REV. B