

Column Uplift Kit

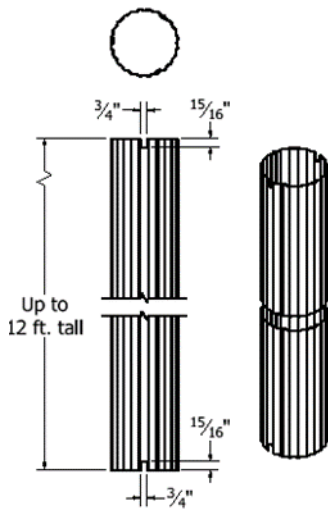
(For 8" Columns)

Installation Instructions

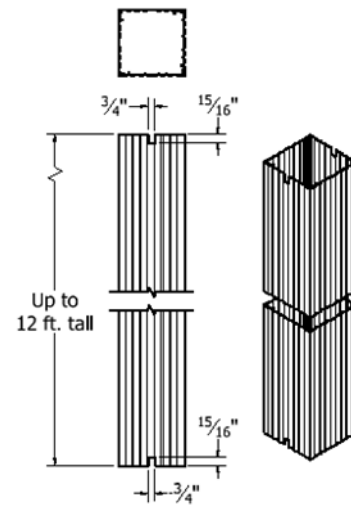


- It is the responsibility of the installer to meet all code and safety requirements, and to obtain all required building permits. The installer should determine and implement the installation techniques appropriate for each unique installation situation. Digger Specialties, Inc. and its distributors shall not be held liable for improper or unsafe installations.

- Column Uplift Kits can be used on the following columns up to 12 feet tall:



Aluminum Rnd. Fluted Column

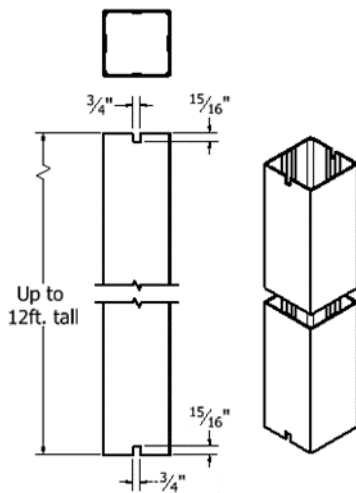


Aluminum Sq. Fluted Column

Not shown:

Aluminum Sq. Smooth Column

Aluminum Sq. Smooth Column
w/ astragal



Herculite Sq. Smooth Column

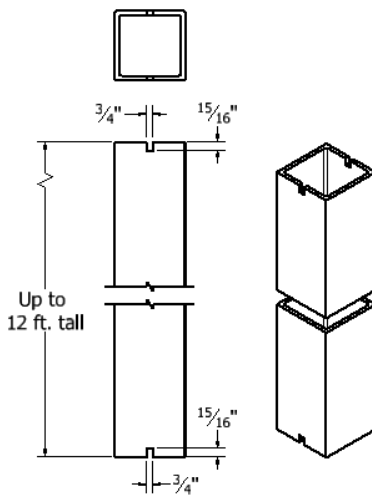
Column Uplift Kit

(For 8" Columns)

Installation Instructions



- It is the responsibility of the installer to meet all code and safety requirements, and to obtain all required building permits. The installer should determine and implement the installation techniques appropriate for each unique installation situation. Digger Specialties, Inc. and its distributors shall not be held liable for improper or unsafe installations.



Composite Sq. Smooth Column

Not shown:

Composite Sq. Fluted Column

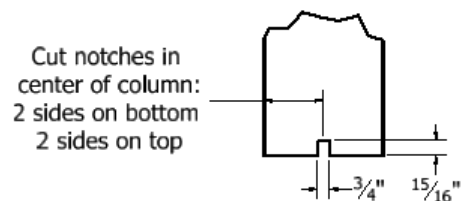
Composite Sq. Recessed Panel Column

Composite Rnd. Smooth Non-Tapered Column

Composite Rnd. Smooth Tapered Column

Composite Rnd. Fluted Tapered Column

- Determine height of opening where column is to be located. Cut column to correct height. An aluminum column will need to be assembled per instructions provided with column.
- Notches will need to be cut into top and bottom of column for Column Uplift Bracket placement. Cut two 15/16" deep x 3/4" wide notches on top of column on opposite sides of each other and two 15/16" deep x 3/4" wide notches on bottom of column on opposite sides of each other.



- When installing composite columns, the capitals and bases will need to be checked for clearance inside the capital and base to verify that the Column Uplift Mounts will fit without interference. Material will have to be removed from inside capital and base if interference occurs with Column Uplift Mounts
- Slide capital, astragal (if used) and base over column being careful not to scratch surface of column. Move capital and base in at least two feet from each end of column to allow for assembly of Column Uplift Kit. **Note: It is important to do this before placing Column Uplift Bracket Assemblies into column.**

Column Uplift Kit

(For 8" Columns)



Installation Instructions

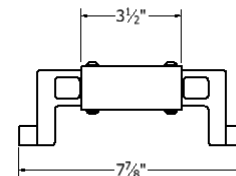
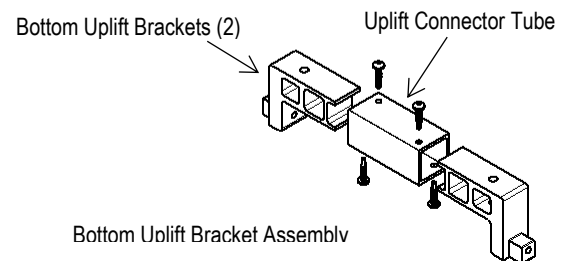
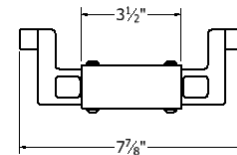
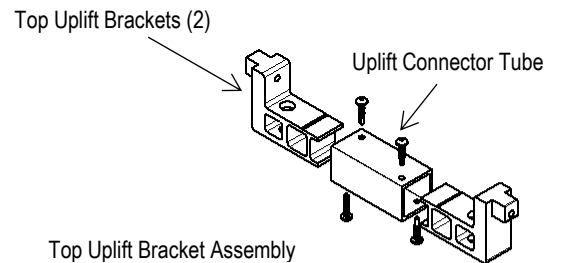
- It is the responsibility of the installer to meet all code and safety requirements, and to obtain all required building permits. The installer should determine and implement the installation techniques appropriate for each unique installation situation. Digger Specialties, Inc. and its distributors shall not be held liable for improper or unsafe installations.

If using a split capital and base these can be installed after column installation. (See Step 19)

Note:

Go to Steps 8 and 9 if using Column Uplift Kit on 8" Composite Tapered Columns.

- Assemble Top Uplift Bracket Assembly by using Uplift Connector Tube and inserting Top Uplift Brackets into both ends of Uplift Connector Tube using four #12 x 1.00" Pan Head screws (provided) to attach Top Uplift Brackets. Top Uplift Bracket Assembly needs to be 7_7/8" from end to end for 8" column.
- Assemble Bottom Uplift Bracket Assembly by using Uplift Connector Tube and inserting Bottom Uplift Brackets into both ends of Uplift Connector Tube using four #12 x 1.00" Pan Head screws (provided) to attach Bottom Uplift Brackets. Bottom Uplift Bracket Assembly needs to be 7_7/8" from end to end for 8" column.



Column Uplift Kit

(For 8" Columns)



Installation Instructions

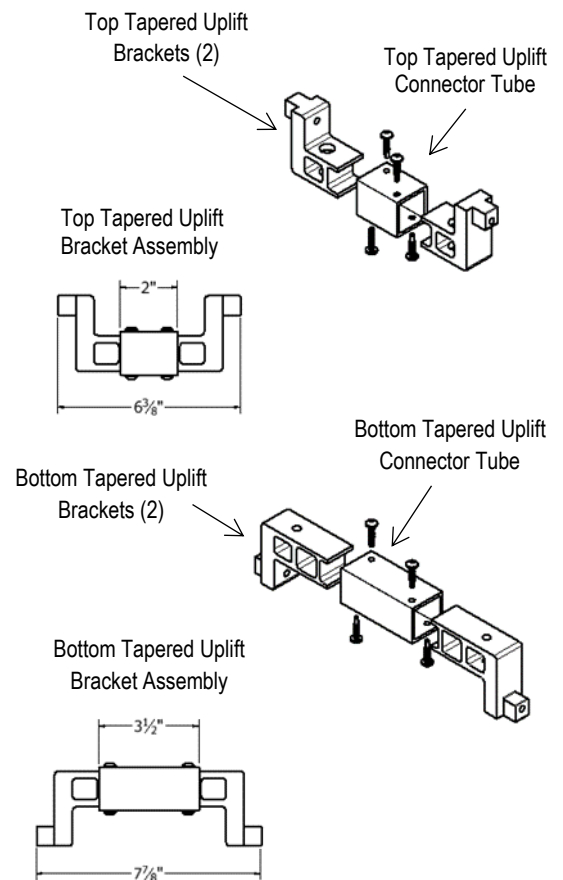
- It is the responsibility of the installer to meet all code and safety requirements, and to obtain all required building permits. The installer should determine and implement the installation techniques appropriate for each unique installation situation. Digger Specialties, Inc. and its distributors shall not be held liable for improper or unsafe installations.

Note:

Column Uplift Kits used on 8" Composite Tapered Columns will have a smaller size Top Uplift Bracket. Be sure to use Tapered Column Uplift Kit for 8" Tapered Columns.

Steps 8 and 9 apply to Tapered Column Uplift Kit for 8" Tapered Columns only.

- Assemble Top Tapered Uplift Bracket Assembly by using Top Tapered Uplift Connector Tube and inserting Top Tapered Uplift Brackets into both ends of Top Tapered Uplift Connector Tube using four #12 x 1.00" Pan Head screws (provided) to attach Top Tapered Uplift Brackets. Top Tapered Uplift Bracket Assembly needs to be 6 $\frac{3}{8}$ " from end to end for 8" column.
- Assemble Bottom Tapered Uplift Bracket Assembly by using Bottom Tapered Uplift Connector Tube and inserting Bottom Tapered Uplift Brackets into both ends of Bottom Tapered Uplift Connector Tube using four #12 x 1.00" Pan Head screws (provided) to attach Bottom Tapered Uplift Brackets. Bottom Tapered Uplift Bracket Assembly needs to be 7 $\frac{7}{8}$ " from end to end for 8" column.



Column Uplift Kit

(For 8" Columns)

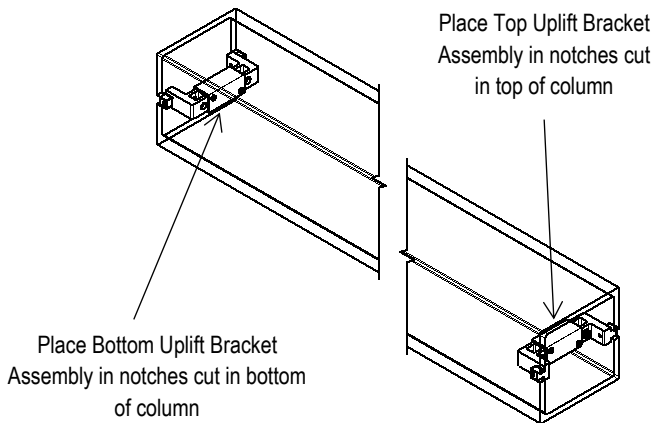


Installation Instructions

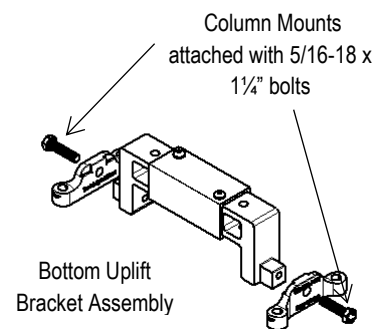
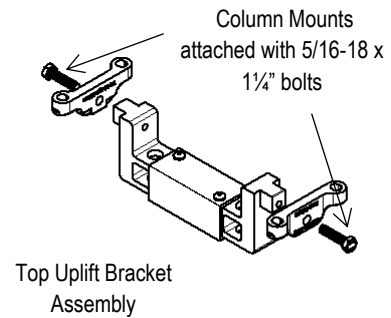
- It is the responsibility of the installer to meet all code and safety requirements, and to obtain all required building permits. The installer should determine and implement the installation techniques appropriate for each unique installation situation. Digger Specialties, Inc. and its distributors shall not be held liable for improper or unsafe installations.

10. Carefully lay column on side on a clean surface and place Top Uplift Bracket Assembly into notches cut in top of column. Place Bottom Uplift Bracket Assembly into notches cut in bottom of column.

11. Attach Column Mounts with the four 5/16-18 x 1 1/4" bolts into ends of Top and Bottom Uplift Bracket Assemblies.



Transparent square column shown for illustration purposes only



Column Uplift Kit

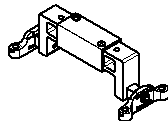
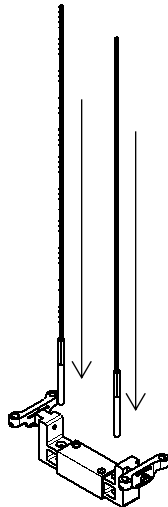
(For 8" Columns)

Installation Instructions

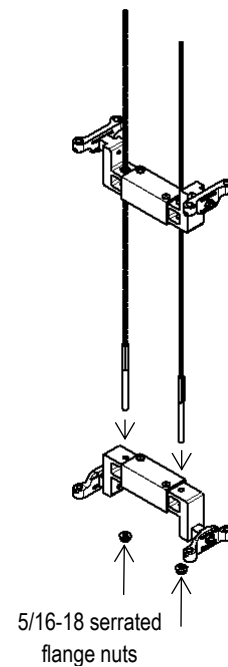


- *It is the responsibility of the installer to meet all code and safety requirements, and to obtain all required building permits. The installer should determine and implement the installation techniques appropriate for each unique installation situation. Digger Specialties, Inc. and its distributors shall not be held liable for improper or unsafe installations.*

12. Place the 3/16" cable with threaded rod into hole on Top Uplift Bracket Assembly and push threaded rod and cable through hole so that end of threaded rod will be down by Bottom Uplift Bracket Assembly. Do this on both cables with threaded rods.



13. Feed the threaded rod with cable through the holes on Bottom Uplift Bracket Assembly.



14. Turn both 5/16-18 serrated flange nuts onto threaded rods on cable. Turn nuts so that bottom of threaded rod is extended through nut.

Column Uplift Kit

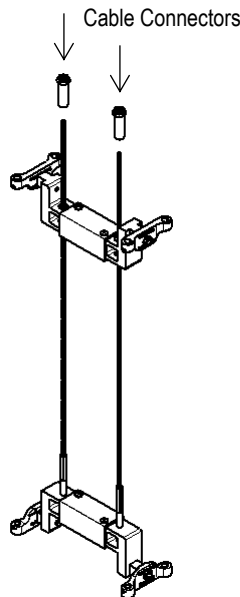
(For 8" Columns)



Installation Instructions

- It is the responsibility of the installer to meet all code and safety requirements, and to obtain all required building permits. The installer should determine and implement the installation techniques appropriate for each unique installation situation. Digger Specialties, Inc. and its distributors shall not be held liable for improper or unsafe installations.

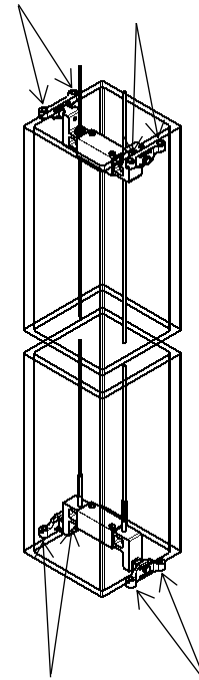
15. Slide Cable Connectors onto end of cables coming out of Top Uplift Bracket Assembly. Make sure small end of Cable Connector is started first. Slide Cable Connector down towards Top Uplift Bracket Assembly until you get close to hole in Top Uplift Bracket Assembly. Align Cable Connector with hole in Top Uplift Bracket Assembly and push into hole while pulling gently on cable with threaded rod. Slight tension will be on cable when properly positioned. **(Warning once Cable Connectors are on cable, they cannot be removed without a 3/16" cable release tool to release Cable Connectors.)**



16. Use a 1/2" open end wrench or socket and tighten the two 5/16-18 serrated flange nuts on bottom side of Bottom Uplift Bracket Assembly. You may need to hold threaded rod with a plier so that cable does not turn. Tighten till cable begins to feel taut but do not over tighten as this can damage column where notches are cut.

17. Excess cable can be cut off using a cable cutter or else coiled up and placed inside column. **Note: When used on a 12-foot-tall column cut excess cable off so that it does not interfere with upper structure.**
18. Set column upright and position into place. Refer to Table 1 for appropriate fastener type to anchor Column Uplift Kit to substrate.

Use appropriate fasteners to anchor Column Uplift Kit to upper substrate



Use appropriate fasteners to anchor Column Uplift Kit to bottom substrate.

Transparent square column shown for illustration purposes only

Column Uplift Kit

(For 8" Columns)

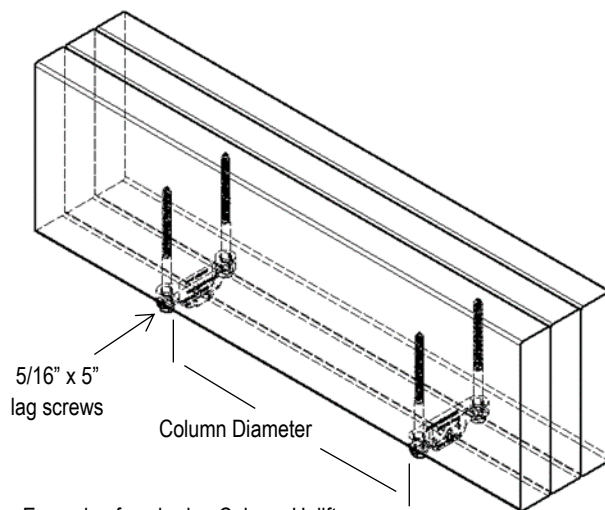


Installation Instructions

- It is the responsibility of the installer to meet all code and safety requirements, and to obtain all required building permits. The installer should determine and implement the installation techniques appropriate for each unique installation situation. Digger Specialties, Inc. and its distributors shall not be held liable for improper or unsafe installations.

Table 1

Substrate	Fastener Type
Wood	5/16" x 5" Hex Lag Screw
Concrete	5/16" x 2_3/4" Expansion Wedge Anchor SS
Steel	5/16" Hex Bolt Grade 8



Example of anchoring Column Uplift Kit to upper wood substrate.

- Slide capital and base over Column Uplift Kit and fasten accordingly.