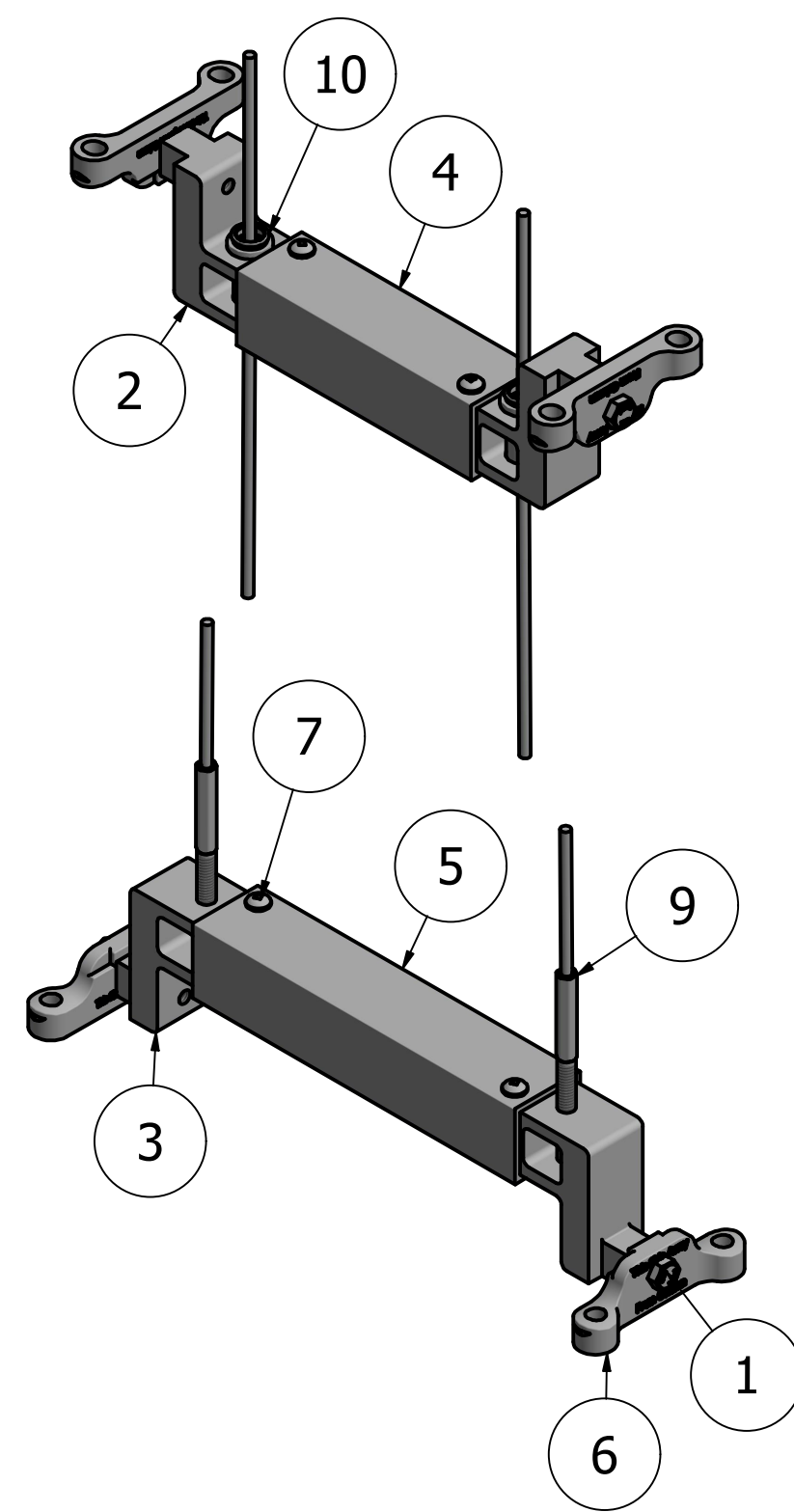
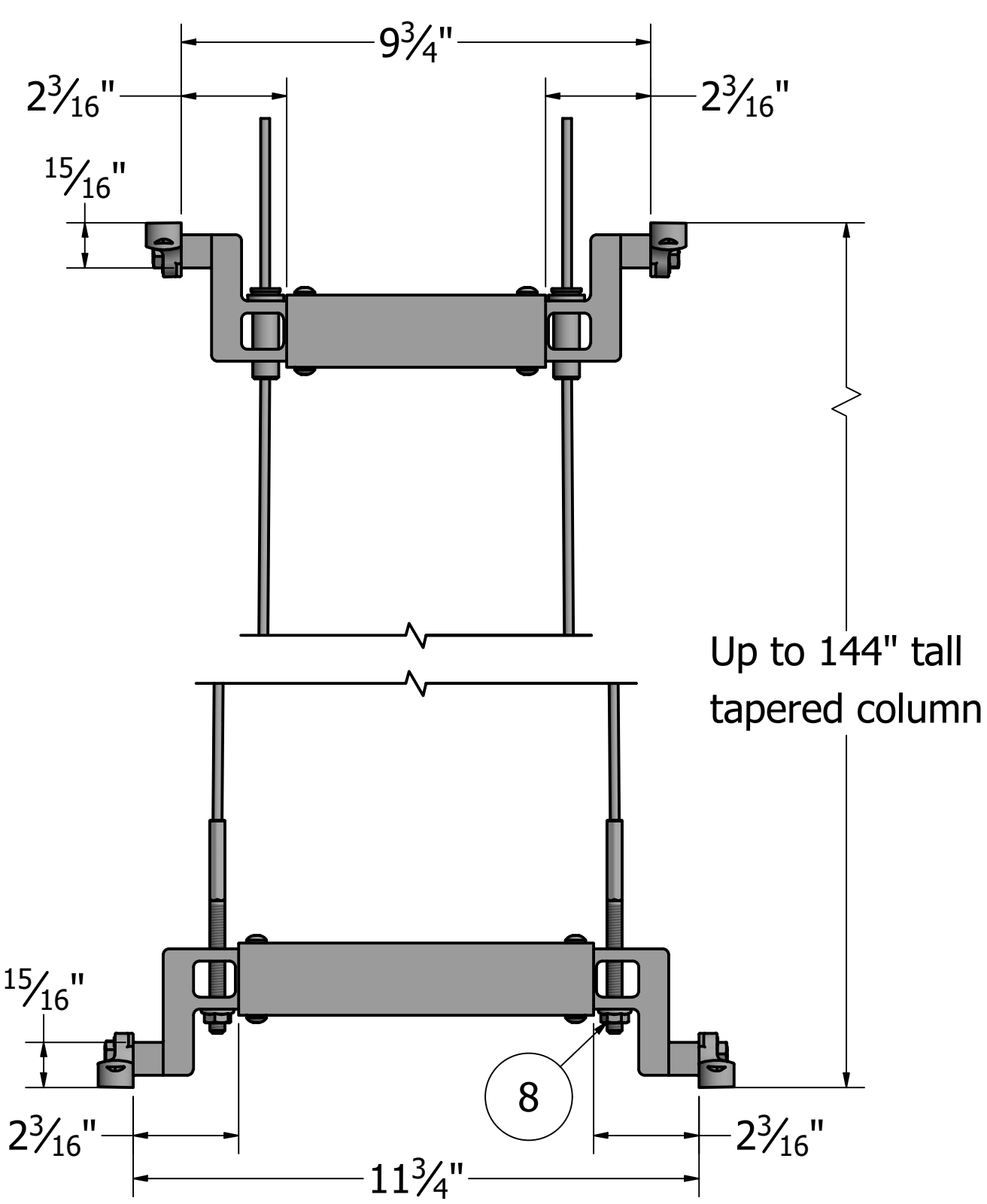
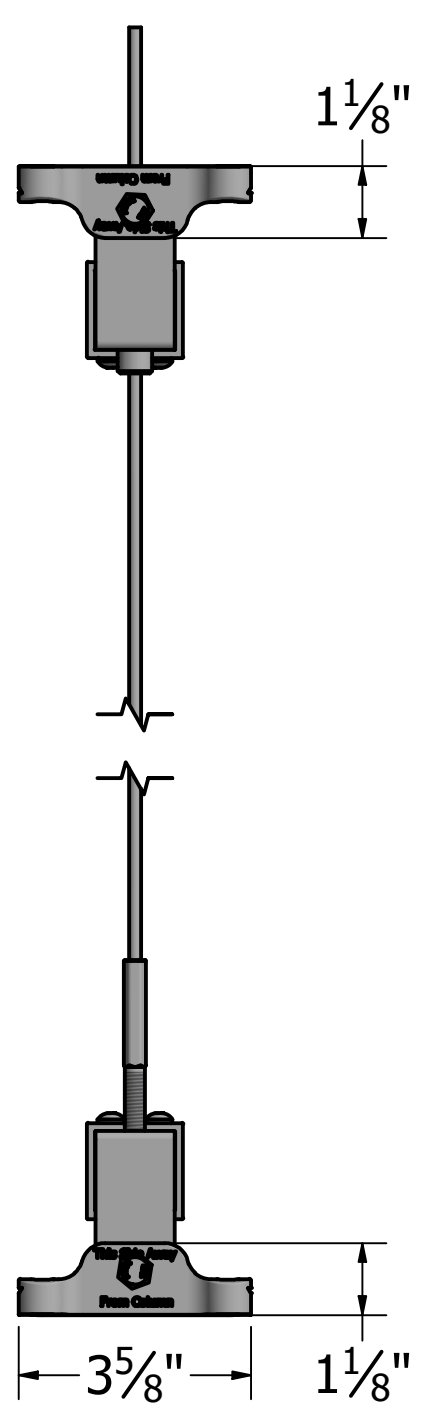
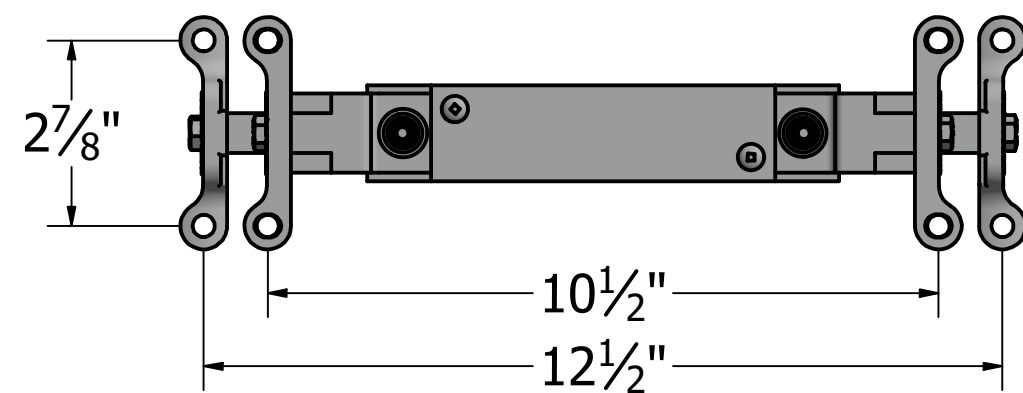


REV.	DESCRIPTION	DATE



PARTS LIST

ITEM	QTY	PART NUMBER	DESCRIPTION
1	4	110865ZZZ	Bolt 5_16-18 x 1 1/4 SS hex
2	2	120209PLN	Uplift Top Bracket 10_12in
3	2	120210PLN	Uplift Bottom Bracket 10_12in
4	1	120213PLN	Uplift Connector Tube 10in
5	1	120214PLN	Uplift Connector Tube 12in
6	4	156037ZZZ	Mnt Std Column
7	8	156300ZZZ	12 x 1.00 Pan Head Self Tapping
8	2	156422ZZZ	5_16-18 Serrated Flange Nut
9	2	156496ZZZ	Cable Kit 3_16in x 12ft
10	2	156497ZZZ	Cable Connector 3_16in

DSI Digger Specialties Inc.
 3446 US 6 EAST
 BREMEN, IN 46506
 www.diggerspecialties.com

WEIGHT:
 STANDARD TOLERANCE:
 .00 \ .01
 .000 \ .005
 ANG. \ .5~
 FRACTIONS: ± 1/16"

DRAWN BY: CM
 DATE DRAWN: 1/20/2021
 DRAFT NO. 20210120-1C

FILE LOC: Z:\Projects\Projects 2018\Column Uplift Connector\Components\Column Uplift Kit 12in Tapered.idw

MATERIAL:
 PART NAME:
 Column Uplift Kit 12in Tapered.idw
 PART NUMBER:
 120219PLN

REV.