

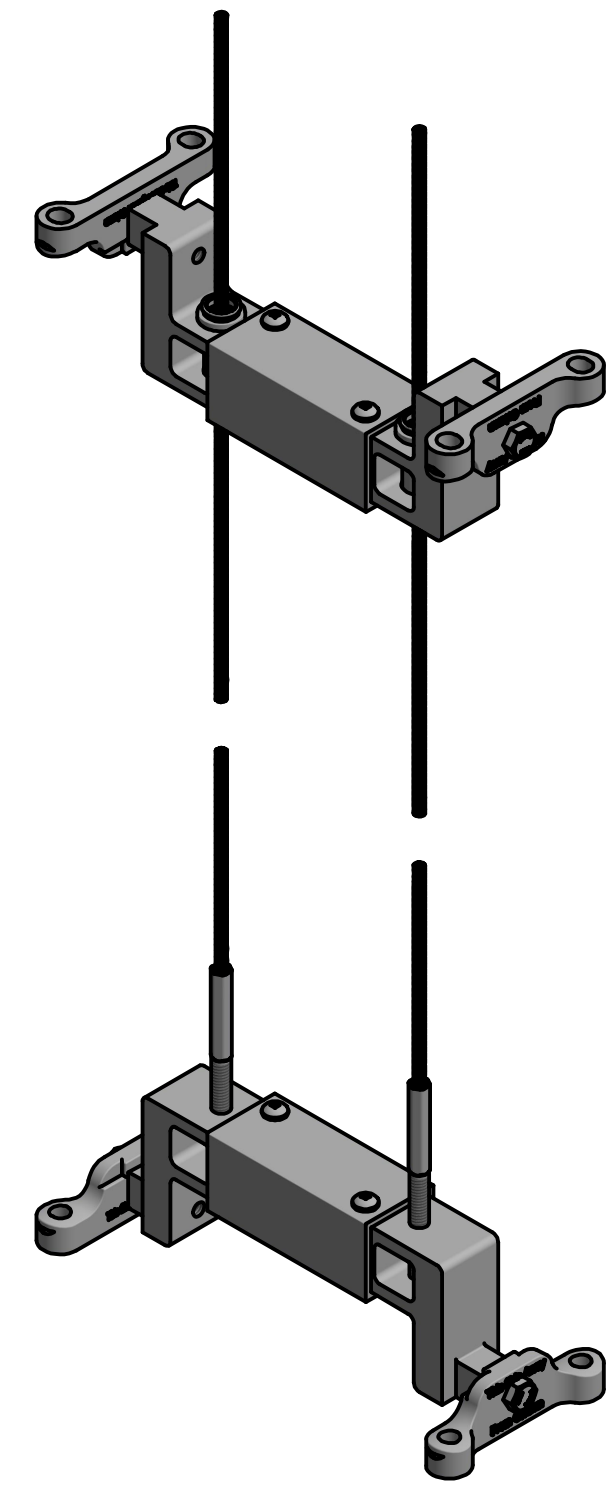
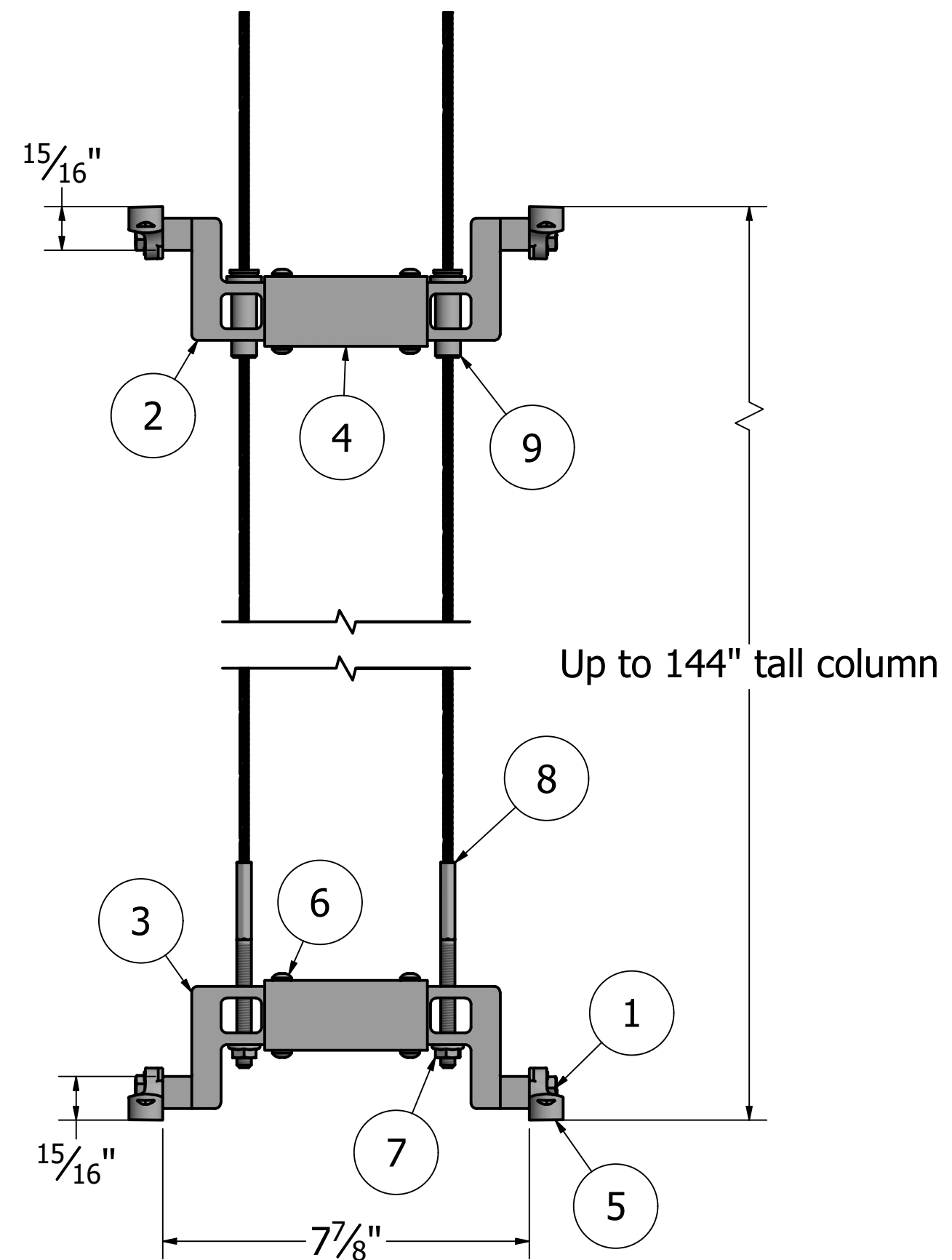
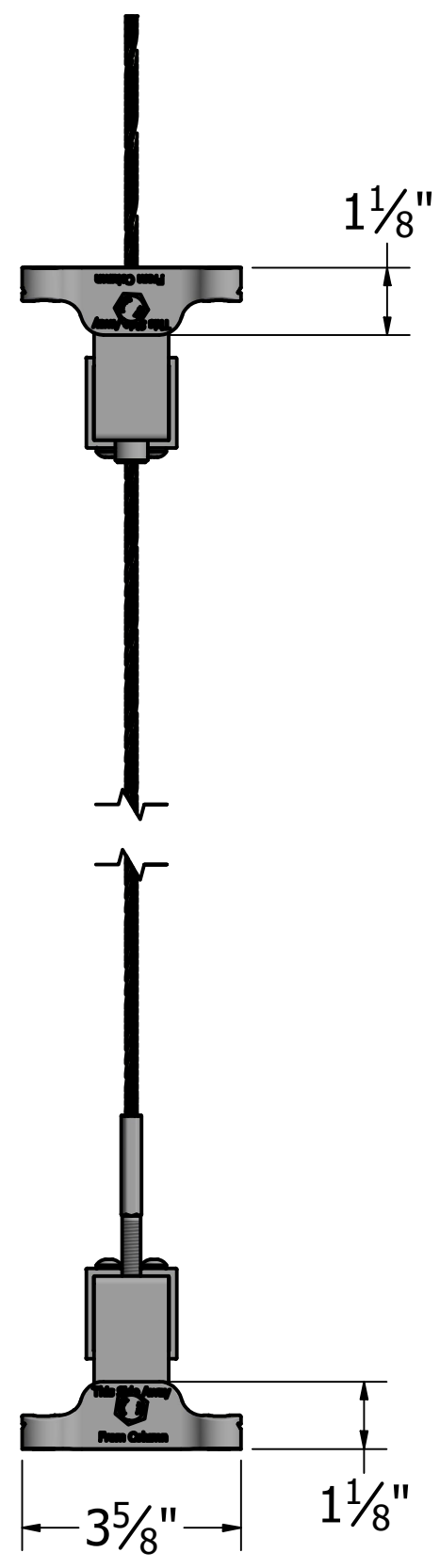
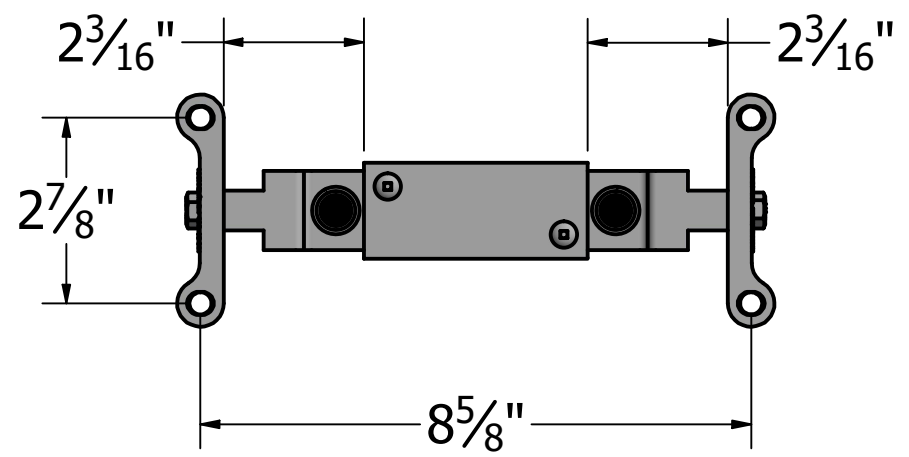
4

3

2

1

| REV. | DESCRIPTION | DATE |
|------|-------------|------|
| | | |
| | | |
| | | |



PARTS LIST

| ITEM | QTY | PART NUMBER | DESCRIPTION |
|------|-----|-------------|---------------------------------|
| 1 | 4 | 110865ZZZ | Bolt 5_16-18 x 1 1/4 SS hex |
| 2 | 2 | 120207PLN | Uplift Top Bracket 8in |
| 3 | 2 | 120208PLN | Uplift Bottom Bracket 8in |
| 4 | 2 | 120212PLN | Uplift Connector Tube 8in |
| 5 | 4 | 156037ZZZ | Mnt Std Column |
| 6 | 8 | 156300ZZZ | 12 x 1.00 Pan Head Self Tapping |
| 7 | 2 | 156422ZZZ | 5_16-18 Serrated Flange Nut |
| 8 | 2 | 156496ZZZ | Cable Kit 3_16in x 12ft |
| 9 | 2 | 156497ZZZ | Cable Connector 3_16in |

DSI Digger Specialties Inc.
 3446 US 6 EAST
 BREMEN, IN 46506
 diggerspecialties.com

| | | |
|--|---------------------------------|---|
| WEIGHT: | DRAWN BY: CM | MATERIAL: |
| STANDARD TOLERANCE: .00 \ .01 .000 \ .005 ANG. \ .5~ | DATE DRAWN: 6/18/2020 | PART NAME: Column Uplift Kit 8in.idw |
| FRACTIONS: ± 1/16 | DRAFT NO. 20200617-2C | |
| FILE LOC: Z:\Projects\Projects 2018\Column Uplift Connector\Components\Column Uplift Kit 8in.idw | | PART NUMBER: 120203PLN |

| | |
|------|--|
| REV. | |
|------|--|

4

3

4

2

1

D

D

C

C

B

B

A

A