

# SR Double Door with Astragal

## Installation Instructions

- It is the responsibility of the installer to meet all code and safety requirements, and to obtain all required building permits. The installer should determine and implement the installation techniques appropriate for each unique installation situation. Digger Specialties, Inc. and its distributors shall not be held liable for improper or unsafe installations.

### SR Double Door with Astragal Components

- (2) Screen Doors
- (6) Hinges
- (1) Door Header Rail
- (2) Header Mounts with Screws
- (2) Header Mount Covers
- (2) Hinge Jambs
- (1) Header Jamb
- (1) Astragal
- (1) Striker Plate
- (2) Door Sweeps
- (74) #8 x 3/4" Pan Head Self-Tapping Screws
- (9) #10 x 5/8" Pan Head Self-Tapping Screws for Closer Kit
- (2) #10 x 3/4" Sq. Flat Stainless-Steel Screws
- 40' Spline for Screen

### Tools Needed

- Hammer
- Tape Measure
- Screw Gun
- Drill
- Square Drive Bit #2
- Drill Bit 7/32"
- Level
- Square
- Miter Saw with Aluminum Blade
- Rubber Mallet
- Grease Pencil

### Overview

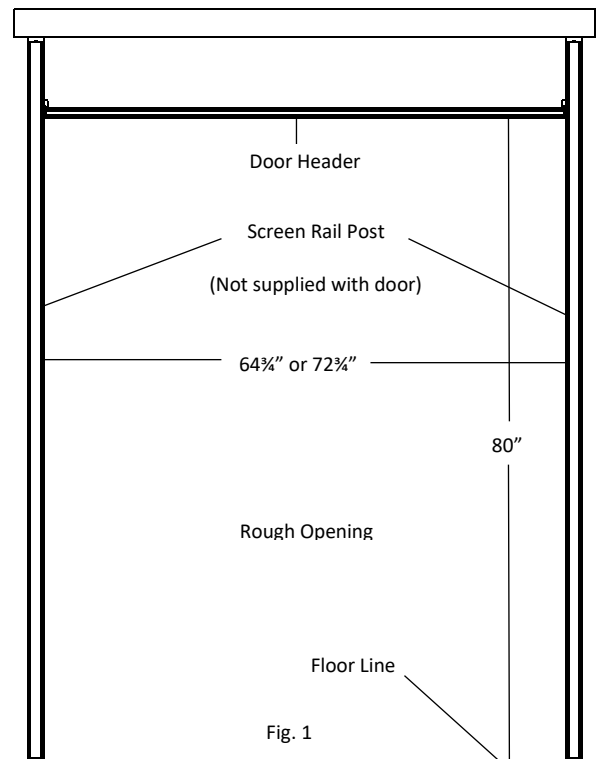
SR Double Doors with Astragal can be installed having either a "stationary" right door or a "stationary" left door. These doors can be used in inswing or outswing configurations also. Before starting installation determine which way you want doors to swing and which door will be the "stationary" door. Order closer kits accordingly.

### Header and Jambs

- Secure posts on either side of door to floor. Space posts 64<sup>3</sup>/<sub>4</sub>" or 72<sup>3</sup>/<sub>4</sub>" apart depending on door call size. Posts must be used on both sides of door. Use a level and square to assure the opening is square. Install Door Header (horizontal rail) 80" above floor in door opening using the supplied mounts and screws. (Fig. 1 and 2) Do not allow anything to protrude into the door rough opening area.
- Attach header jamb to door header with #8 x 3/4" self-tapping screws. (Fig. 3) Keep header jamb tight against header.
- Attach both hinge jambs to posts with #8 x 3/4" self-

### Header and Jambs cont'd

tapping screws. (Fig. 3) Do not attach jambs with screws through hinge holes at this time.



# SR Double Door with Astragal

## Installation Instructions

- It is the responsibility of the installer to meet all code and safety requirements, and to obtain all required building permits. The installer should determine and implement the installation techniques appropriate for each unique installation situation. Digger Specialties, Inc. and its distributors shall not be held liable for improper or unsafe installations.

### Header and Jambs cont'd

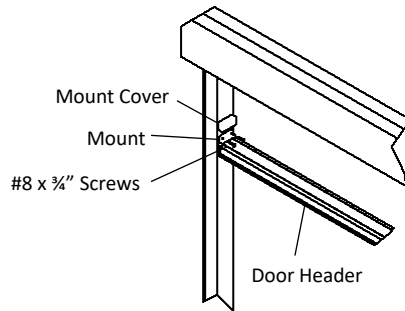


Fig. 2

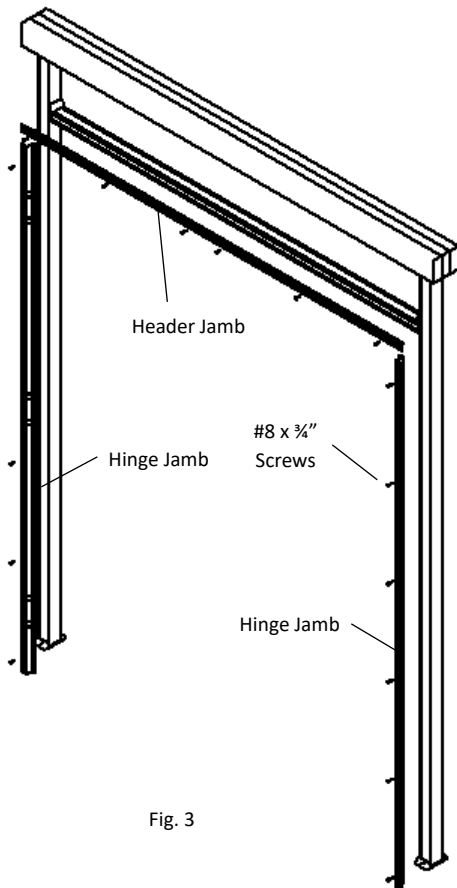


Fig. 3

### “Stationary” Door

This is the door that astragal will be on.

- Attach top hinge to door using small centering mark  $9\frac{1}{16}$ ” from top of door designating top hinge center screw location. (Fig. 4) NOTE: Door may be installed with screen retention grooves toward inside or outside, left or right hand hinged. Use only center portion of hinge to attach hinge to door. (This portion of hinge is contoured to fit into outer edge of doorframe.) Install (3) #8 x  $\frac{3}{4}$ ” self-tapping screws per hinge. Do NOT fasten center or bottom hinge to door at this point. Do NOT over tighten screws.

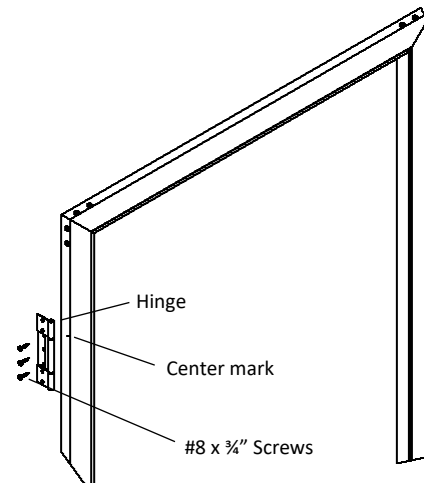


Fig. 4

- Attach bottom hinge to jamb through predrilled holes. Attach top hinge (already fastened to door) to post through jamb with #8 x  $\frac{3}{4}$ ” self-tapping screws in each hole. (Fig. 5) Jamb is predrilled to assist positioning door to jamb and post. Fasten bottom hinge to door. Repeat above procedure for center hinge.
- There will be approximately  $\frac{3}{16}$ ” reveal between top of door and header jamb and  $\frac{3}{16}$ ” reveal between side of door and hinge jamb. (Fig. 6)

# SR Double Door with Astragal

## Installation Instructions

- It is the responsibility of the installer to meet all code and safety requirements, and to obtain all required building permits. The installer should determine and implement the installation techniques appropriate for each unique installation situation. Digger Specialties, Inc. and its distributors shall not be held liable for improper or unsafe installations.

### “Stationary” Door cont’d

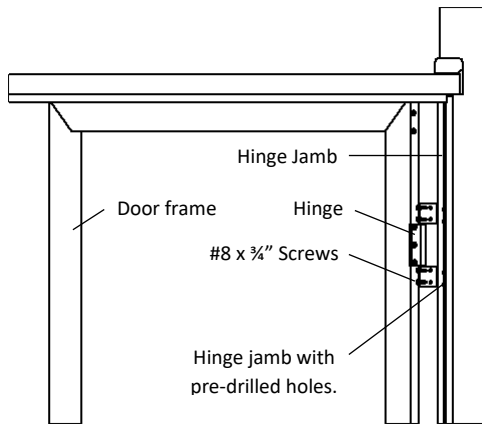


Fig. 5

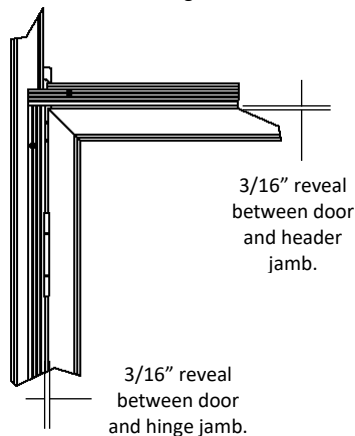


Fig. 6

### “Swing” Door cont’d

at this point. Do NOT over tighten screws.

- Attach bottom hinge to jamb through predrilled holes. Attach top hinge (already fastened to door) to post through jamb with #8 x 3/4" self-tapping screws in each hole. (Fig. 5) Jamb is predrilled to assist positioning door to jamb and post. Fasten bottom hinge to door. Repeat above procedure for center hinge.
- There will be approximately 3/16" reveal between top of door and header jamb and 3/16" reveal between side of door and hinge jamb. (Fig. 6)

### Astragal

- Astragal is notched on both ends. Identify which end will be turned up for either right or left side “stationary door”. (Fig. 7) Notched end of astragal will be toward inside of “stationary” door. After properly identifying position of astragal, measure from top of door to bottom of door and cut astragal accordingly. (Fig. 8) Set both (top and bottom) flush bolts in the open (unlocked) position. Adjust the flush bolts on astragal by turning the top rod so that tip of rod is flush with the top of astragal. Use thread lock or silicone caulk on the lock nut and tighten nut securely on rod. (Fig. 9) Repeat procedure for bottom flush bolt.
- Mark the tip of both top and bottom flush rods with a grease pencil. Slide astragal onto “stationary” door, keeping top of astragal flush with the top of door. You will want to have 3/16" reveal between “stationary” door and the “swing” door. (Fig. 11) Use (5) #8 x 3/4" self-tapping screws to fasten astragal onto “stationary” door from the inside. Keep screws

### “Swing” Door

This is the main door that closes onto astragal.

- Attach top hinge to door using small centering mark 9\_1/16" from top of door designating top hinge center screw location. (Fig. 4) NOTE: Door may be installed with screen retention grooves toward inside or outside, left or right hand hinged. Use only center portion of hinge to attach hinge to door. (This portion of hinge is contoured to fit into outer edge of doorframe.) Install (3) #8 x 3/4" self-tapping screws per hinge. Do NOT fasten center or bottom hinge to door

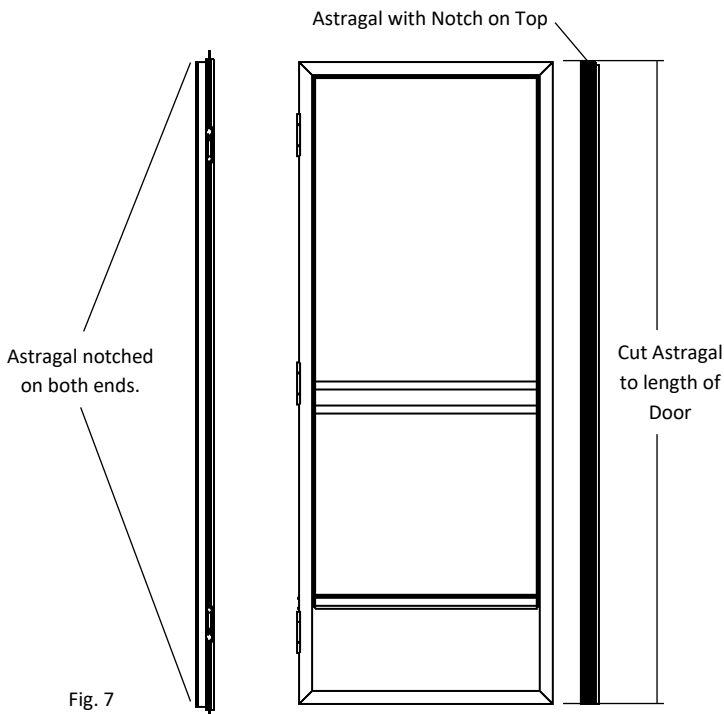
# SR Double Door with Astragal

## Installation Instructions

- It is the responsibility of the installer to meet all code and safety requirements, and to obtain all required building permits. The installer should determine and implement the installation techniques appropriate for each unique installation situation. Digger Specialties, Inc. and its distributors shall not be held liable for improper or unsafe installations.

### Astragal cont'd

at least 3/2" from top and bottom of door frame to avoid hitting inside corner key in door frame.



### Astragal cont'd

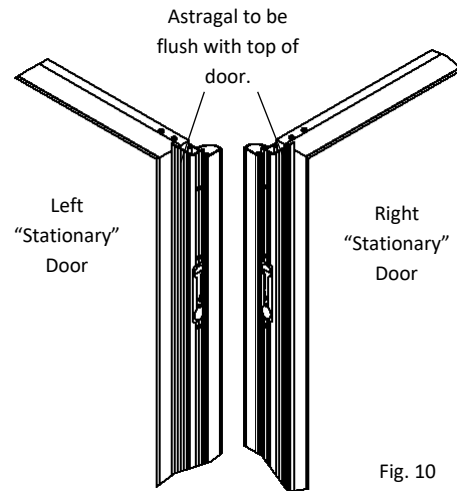


Fig. 10

- Make sure both doors are closed and flip the astragal latches into closed position to leave grease pencil marks where the top and bottom holes will need to be drilled for flush rod to extend into. Use a 7/32" drill bit to drill the top of door frame for where flush rod will extend into. Do the same for the bottom hole for bottom flush rod to extend into.

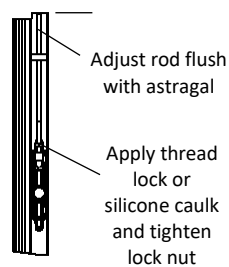


Fig. 9

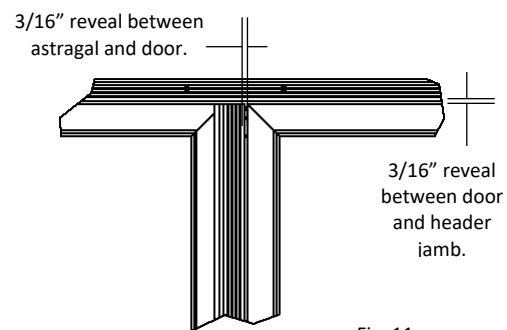


Fig. 11

# SR Double Door with Astragal

## Installation Instructions

- It is the responsibility of the installer to meet all code and safety requirements, and to obtain all required building permits. The installer should determine and implement the installation techniques appropriate for each unique installation situation. Digger Specialties, Inc. and its distributors shall not be held liable for improper or unsafe installations.

### Striker Plate

- After drilling bottom hole for flush bolt to latch into take the striker plate and position center hole of striker plate over center of hole drilled into bottom side of threshold. Use the (2) #10 x  $\frac{3}{4}$ " Sq. Flat Stainless-Steel screws to secure striker plate. (Fig. 12)

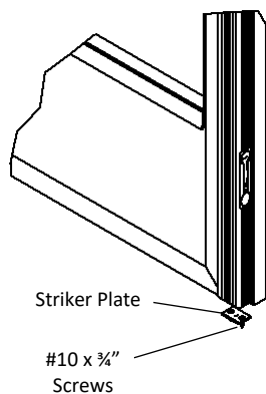


Fig. 12

### Door Sweep cont'd

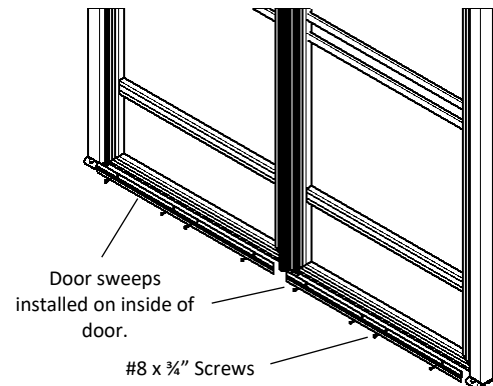


Fig. 13

### Closer Kit

- Follow Installation Instructions for the specific type of hardware that you will be using on SR Double Door with Astragal. This can be a regular "outswing" closer kit or may be an "inswing" closer kit, depending on how you want the door to close.

### Screen

- Choice of screen will need to be installed using Spline provided.

### Door Sweep

- Door sweep will be installed after all other components are in place. (Fig. 13) Cut door sweep so that you have an equal amount of spacing between slotted holes on each end of door sweep. Use #8 x  $\frac{3}{4}$ " self-tapping screws placing them into the slots on door sweep and attaching into bottom inside of door.