

4

3

2

1 PART NUMBER:

REV.	REVISION	DATE
A	RELEASED TO PRODUCTION	

D

D

C

C

B

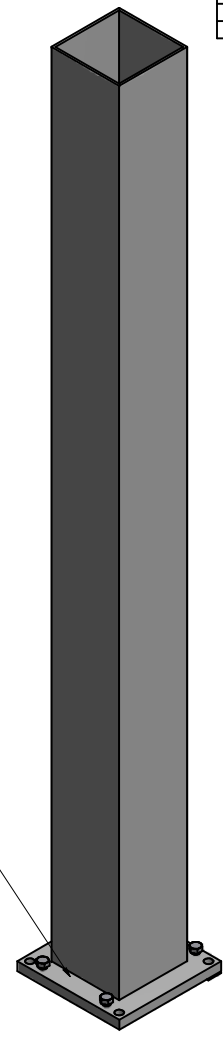
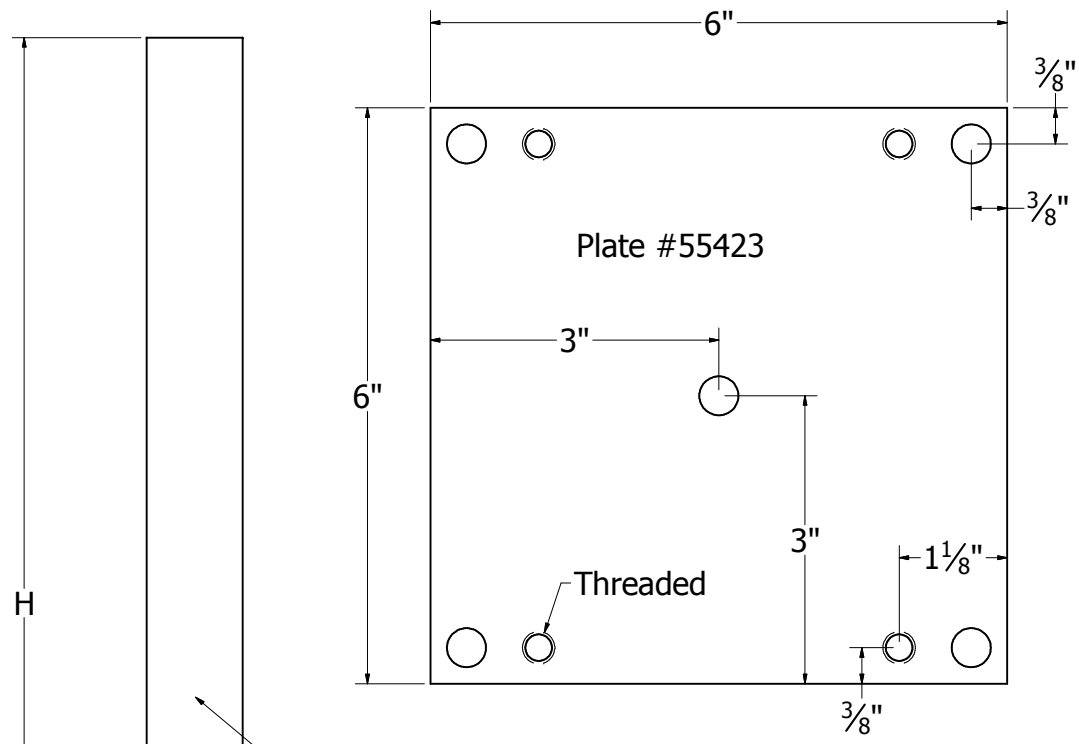
B

B

B

A

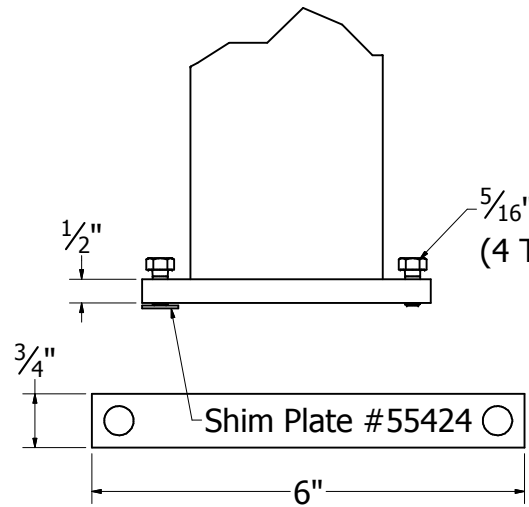
A



4" x 4" Smooth Post .125" wall

Welded all 4 sides full length to plate with 3/64" ER 5356 Wire

5/16" x 3/4" Leveling Bolts SS (4 Total)



Shim Plate #55424

Part #	H =
73255	37"
73256	47"
73257	43"
73258	53"

**DSI** Digger Specialties Inc.  
 3446 US 6 EAST  
 BREMEN, IN 46506  
 www.diggerspecialties.com

WEIGHT:  
 STANDARD TOLERANCE:  
 .00 ±.01  
 .000 ±.005  
 ANG. .5°~  
 FRACTIONS: ± 1/16"

DRAWN BY: wjm  
 DATE DRAWN: 12/21/2011  
 APPROVED BY:  
 DATE APPR'D:  
 FILE LOC.  
 z:/Aluminum/Components/ Post  
 Mounts Welded plates/ 4"  
 Square Posts/

MATERIAL:  
**Aluminum**  
 PART NAME: 4 x 4 Smooth Post  
 w/Plate & Shim  
 PART NUMBER:  
 Post Smooth 4 x .125 with Base

4

3

4

2

1