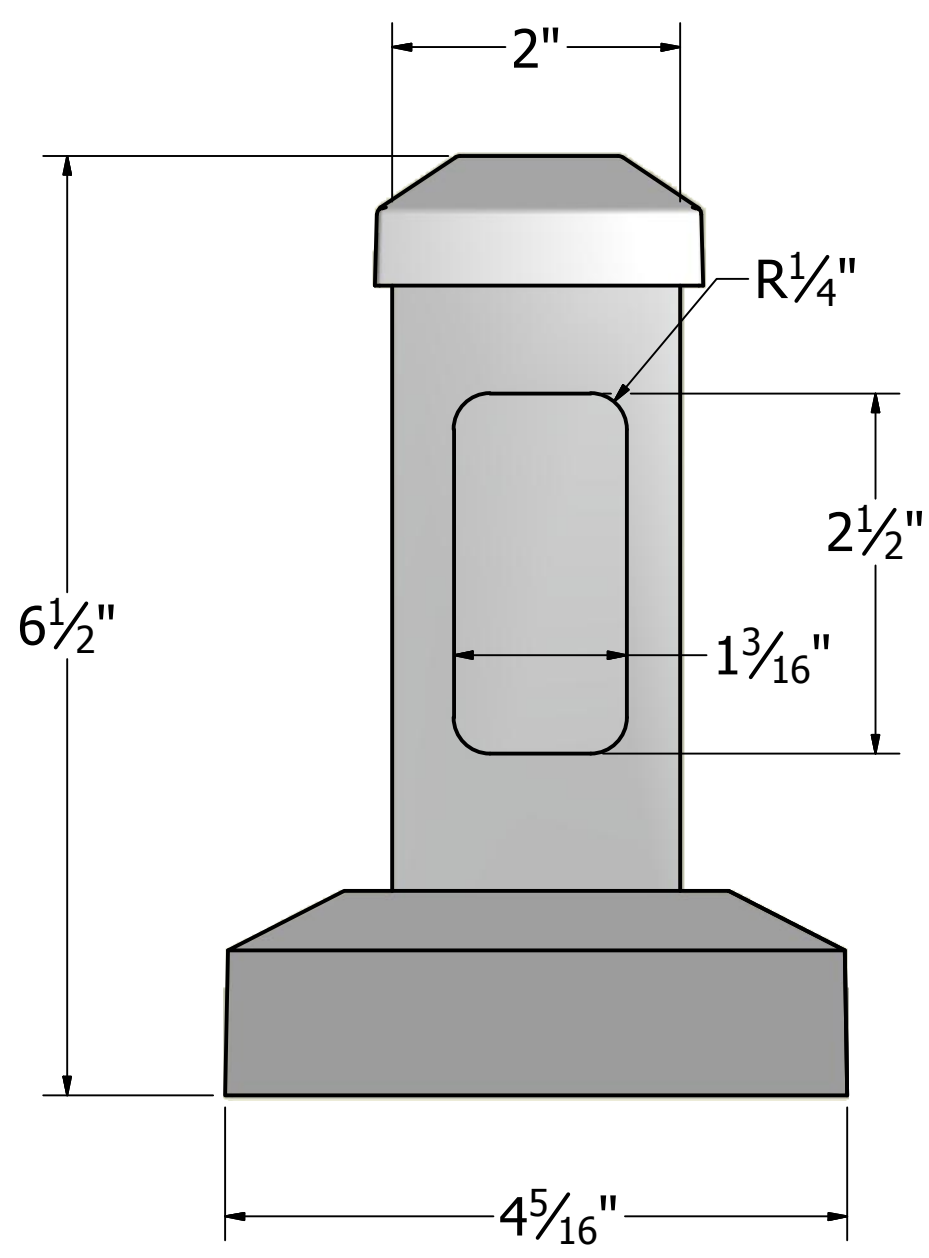
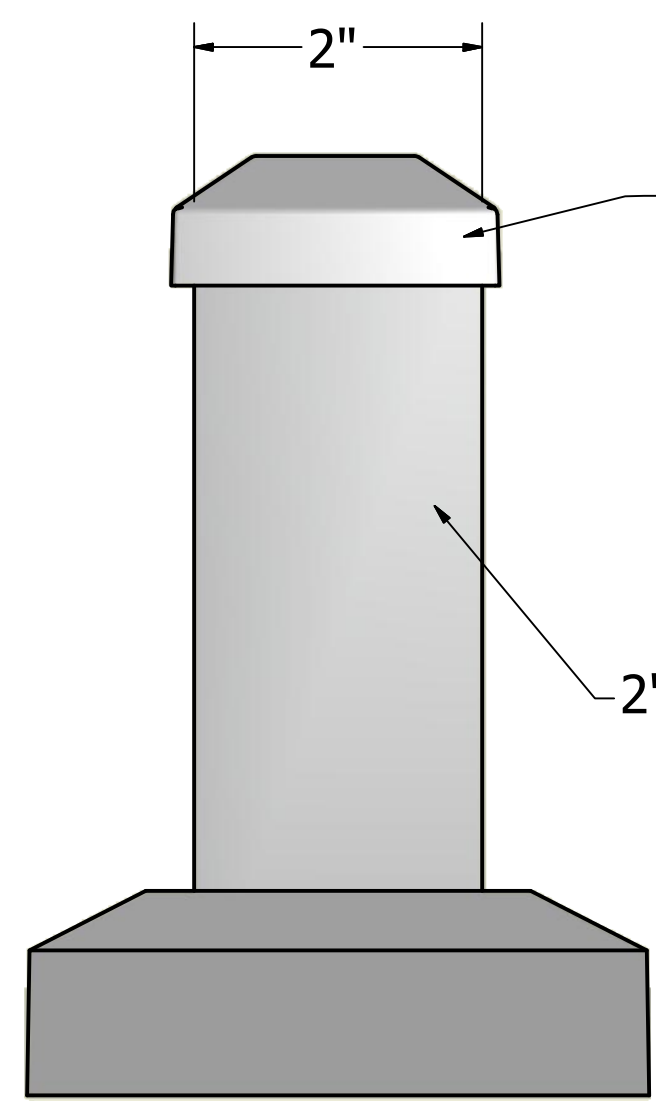


REV.	DESCRIPTION	DATE
A	Updated part number	09/29/2017



In-line View

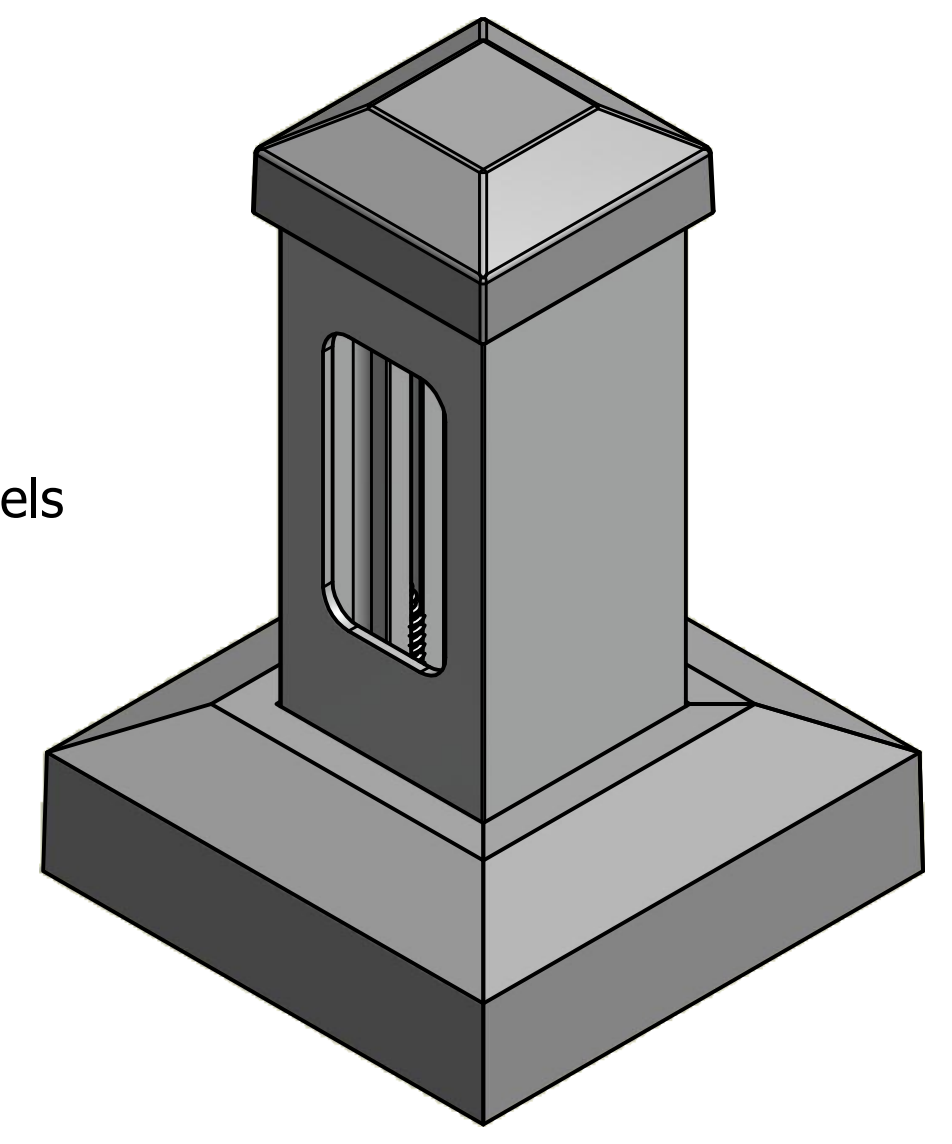


Side View

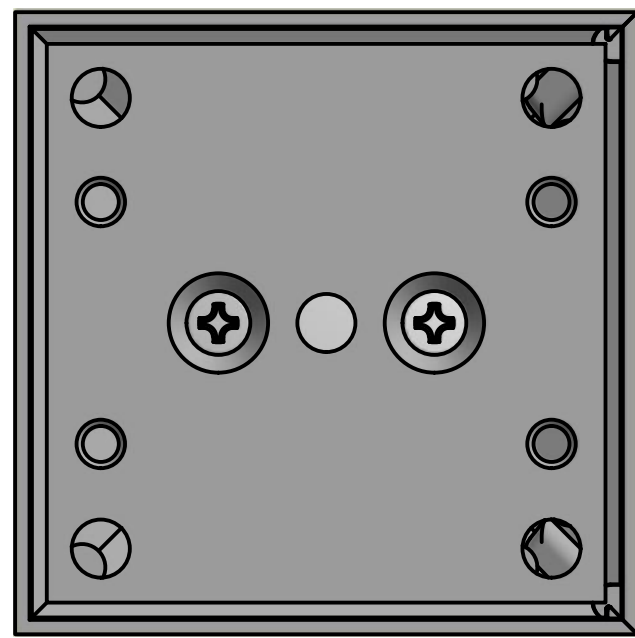
2" Flat Cap

2" sq. Post w/ Screw Channels


2" Post Flair



3D View



Bottom View

 <p><b>DSI Digger Specialties Inc.</b> 3446 US 6 EAST BREMEN, IN 46506 www.diggerspecialties.com</p>	WEIGHT:	DRAWN BY: fsb	MATERIAL:
	STANDARD TOLERANCE: .00 \ .01 .000 \ .005 ANG. \ .5~	DATE DRAWN: 5/20/2014	Aluminum
	FRACTIONS: ± 1/16"	DRAFT NO. 20140520-1F	PART NAME: Westbury IRC Post HH Display.idw
	FILE LOC: Z:\Aluminum\Components\Post Mounts, Welded Plates\2" Sq. Post\IRC\Westbury IRC Post HH Display.idw	PART NUMBER: 71559	REV. A