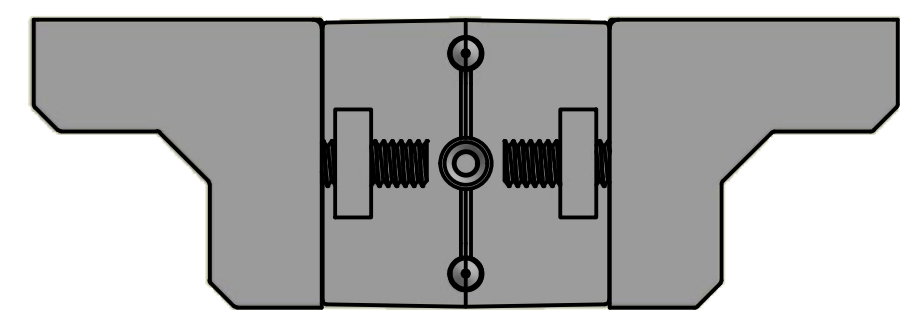
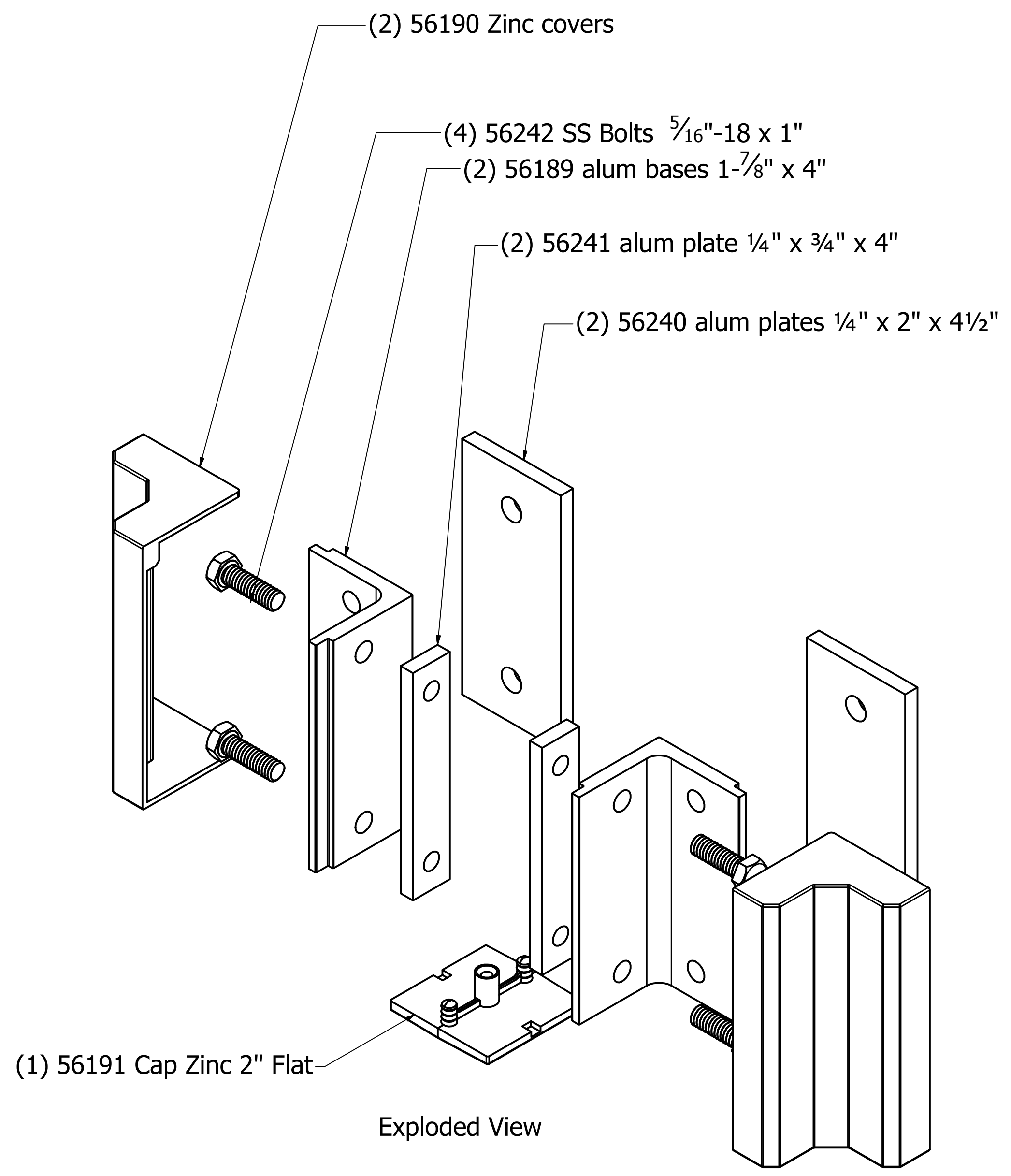
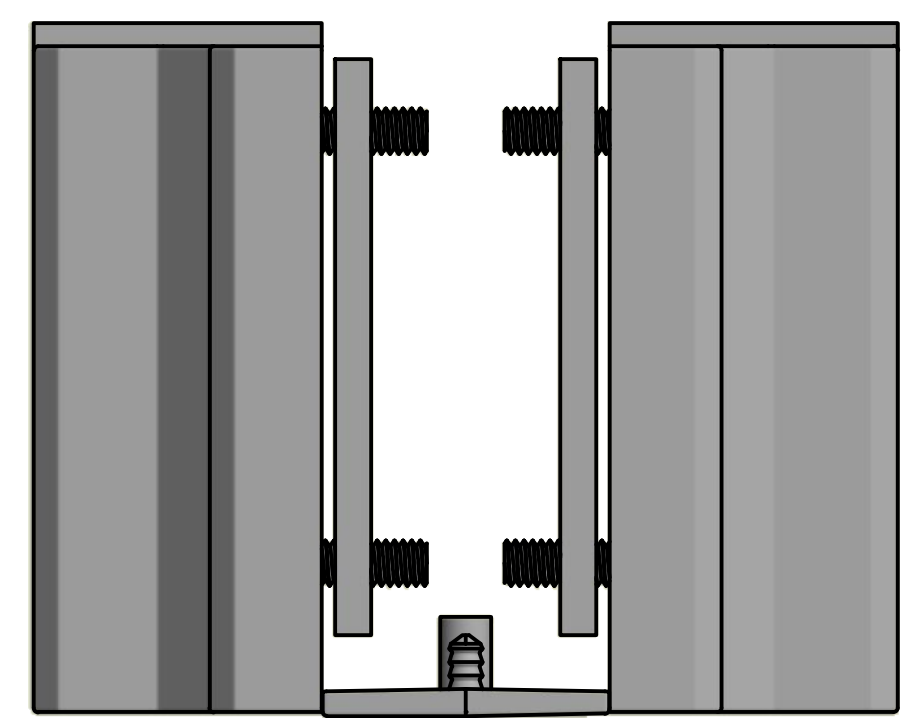



REV.	DESCRIPTION	DATE



Top View



Front View

 <p><b>DSI Digger Specialties Inc.</b></p> <p>3446 US 6 EAST BREMEN, IN 46506 www.diggerspecialties.com</p>	WEIGHT: 1.7 lb. per/set	DRAWN BY: fsb	MATERIAL: Alum/Zinc/Stainless Steel	
	STANDARD TOLERANCE: .00 \ .01 .000 \ .005 ANG. \ .5~	DATE DRAWN: 10/10/2017	PART NAME: 73396 Fascia Mount Kit w scr.idw	
	FRACTIONS: $\pm \frac{1}{16}$ "	DRAFT NO. 20171010-1F	PART NUMBER: 73396	
	FILE LOC: Z:\Aluminum\Components\Post Mounts, Welded Plates\2" Sq. Post\IRC\Fascia Mnt\73396 Fascia Mount Kit w scr.idw		REV.	