

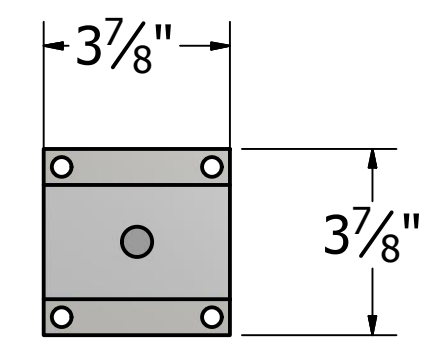
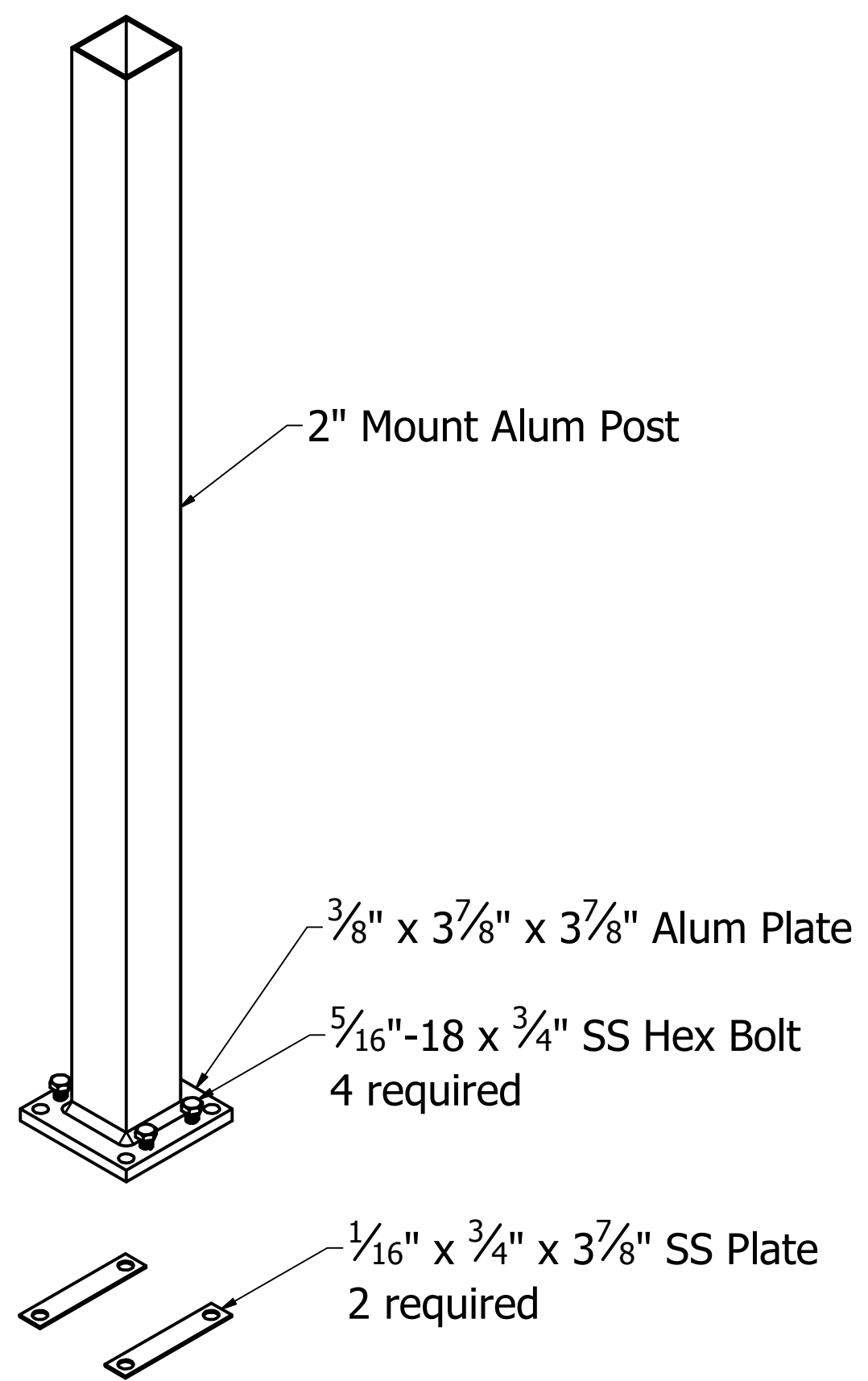
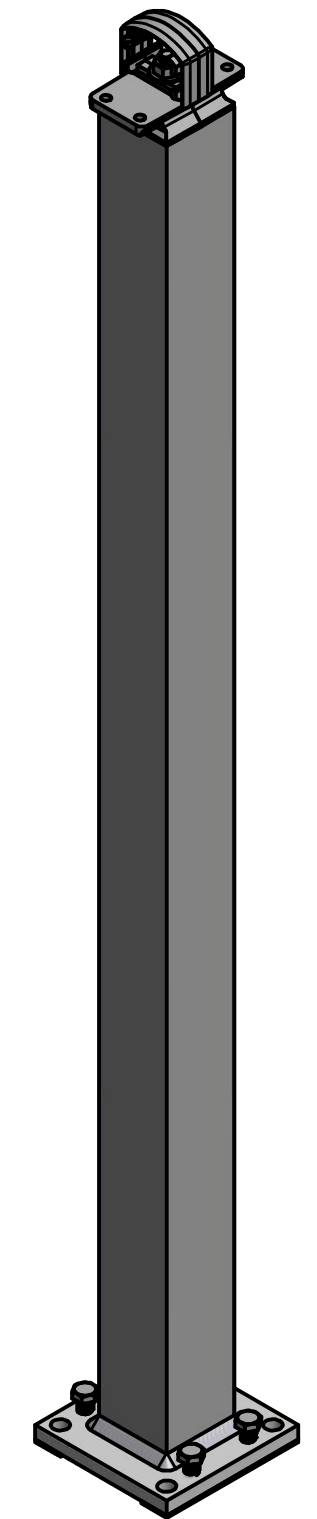
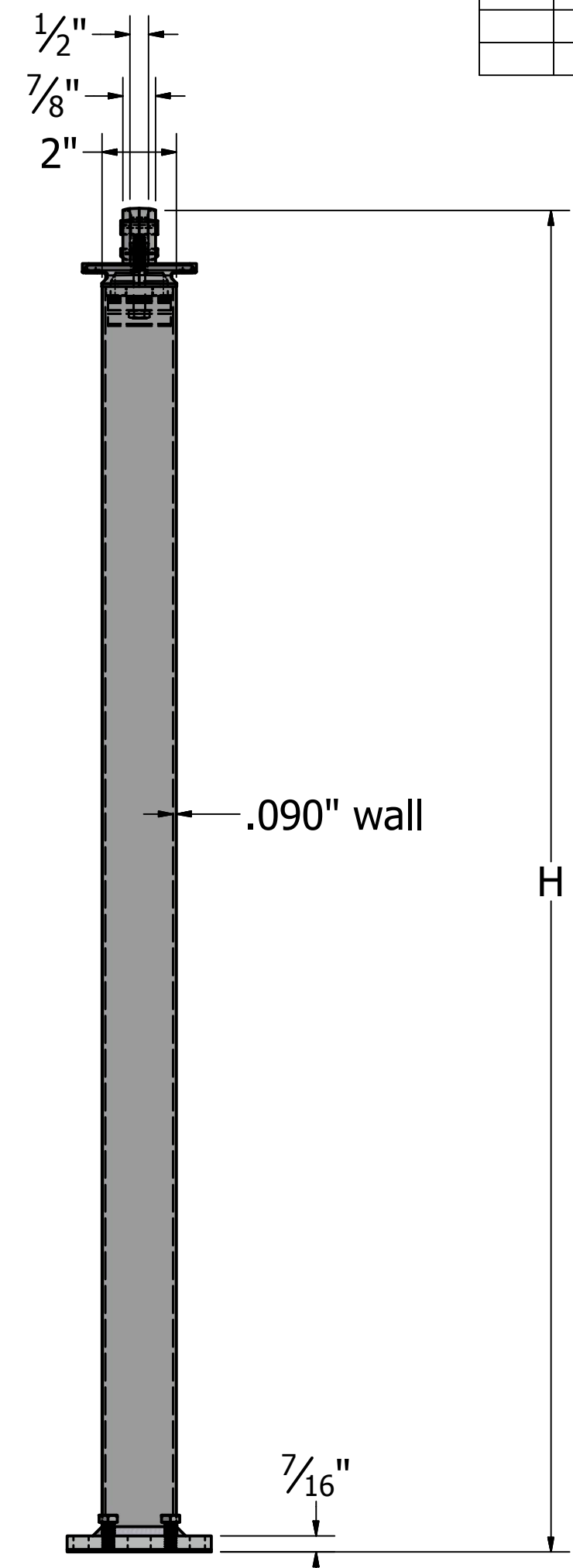
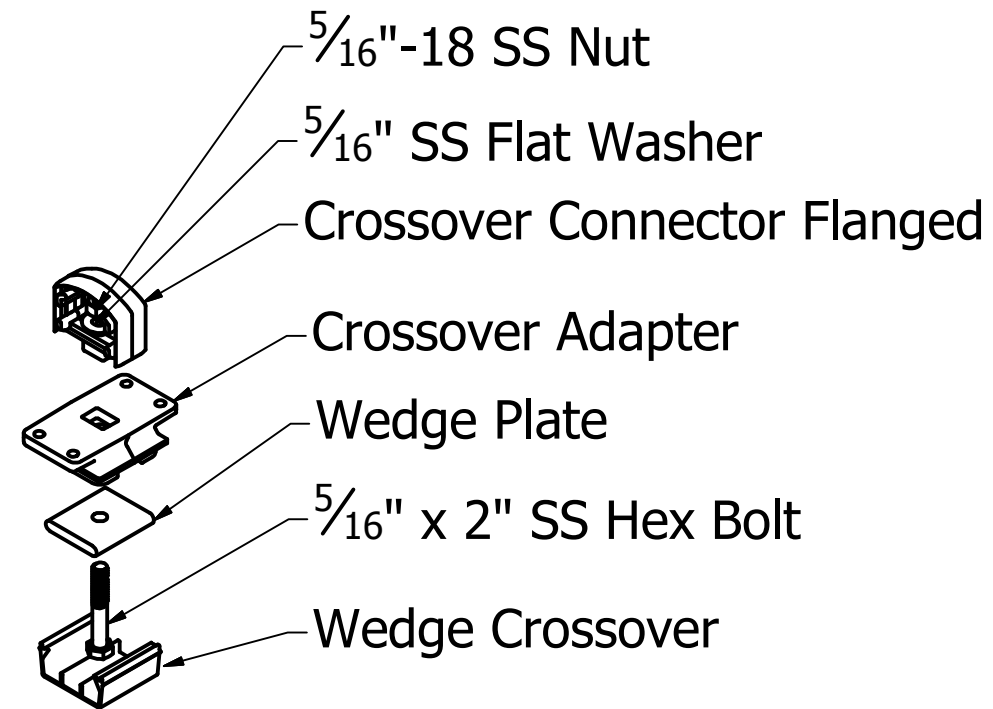
4

3

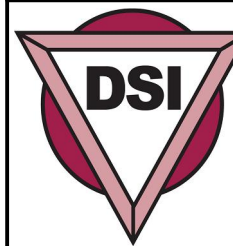
2

1

REV.	DESCRIPTION	DATE



Part Number	H = Post Height	Rail Height
73378	36"	36"
73379	42"	42"

 <p><b>DSI Digger Specialties Inc.</b> 3446 US 6 EAST BREMEN, IN 46506 www.diggerspecialties.com</p>	WEIGHT:	DRAWN BY: CM	MATERIAL:
	STANDARD TOLERANCE: .00 \\.01 .000 \\.005 ANG. \.5~	DATE DRAWN: 5/9/2017	Aluminum / SS / Zinc
	FRACTIONS: ± 1/16"	DRAFT NO. 20170509-2C	PART NAME: 73378-73379 Mount CO Post.idw
	FILE LOC: Z:\Aluminum\Components\Post Mounts, Welded Plates\2" Sq. Post\73378-73379 Mount CO Post.idw		PART NUMBER: 73378-73379
			REV.

4

3

2

1