

4

3

2

1

REV.	DESCRIPTION	DATE

D

C

B

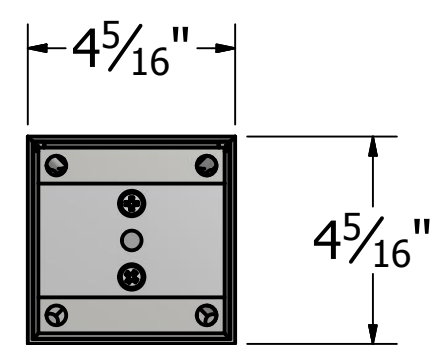
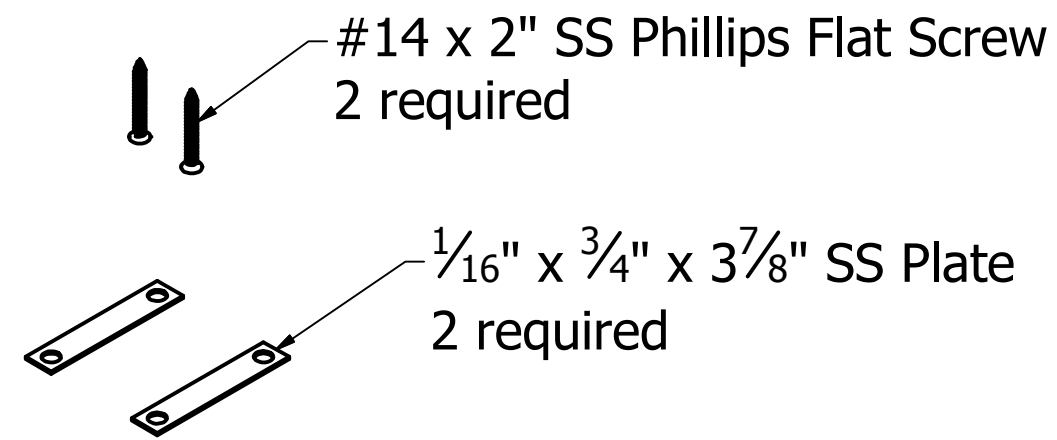
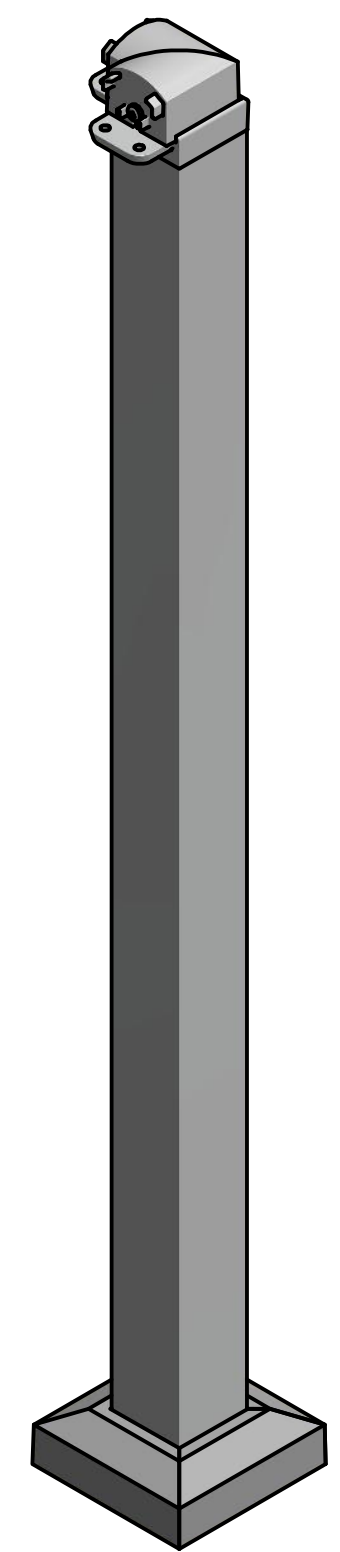
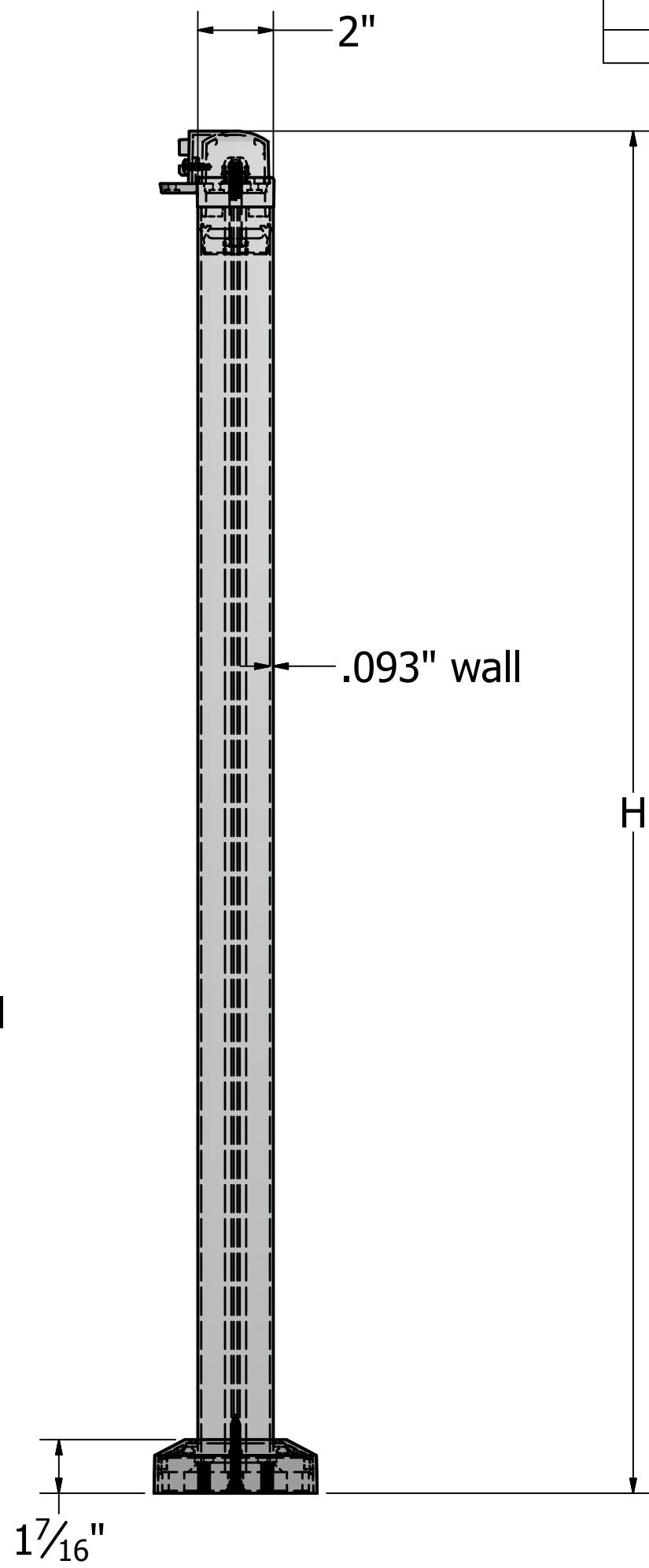
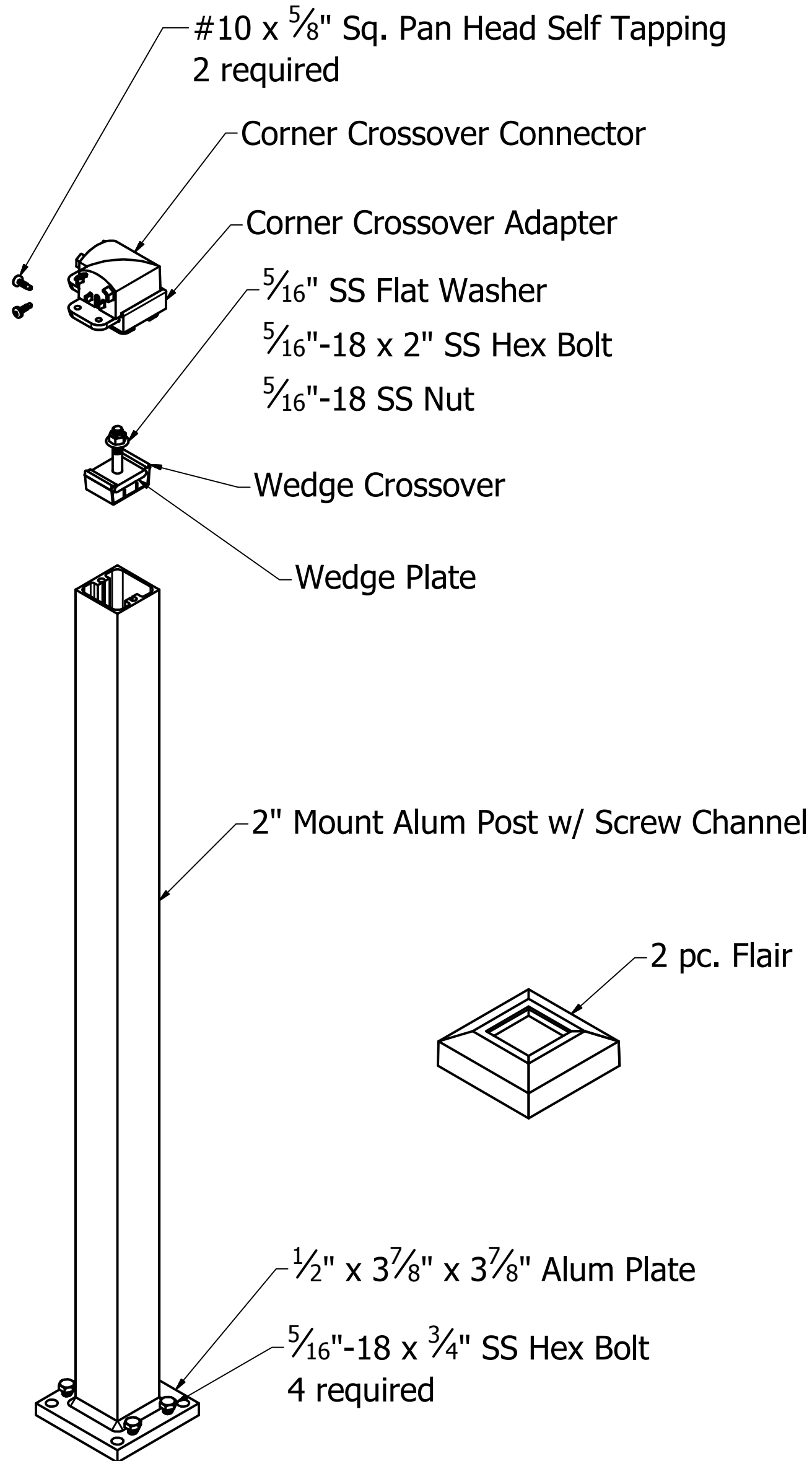
A

D


C

B

A



Part Number	H = Post Height	Rail Height
73362	36"	36"
73363	42"	42"



DSI Digger Specialties Inc.

3446 US 6 EAST
BREMEN, IN 46506
www.diggerspecialties.com

WEIGHT:

STANDARD TOLERANCE:
.00 \ .01
.000 \ .005
ANG. \ .5~

FRACTIONS: ± 1/16"

FILE LOC: Z:\Aluminum\Components\Post Mounts, Welded Plates\2" Sq. Post\IRC\73362-73363 WB HD Corner CO Post Kit.idw

DRAWN BY: CM

DATE DRAWN: 6/9/2016

DRAFT NO. 20160609-3C

MATERIAL:
Aluminum & Stainless Steel

PART NAME:
73362-73363 WB HD Corner CO Post Kit.idw

PART NUMBER:
See Table

4

3

2

1