

2

1

NOTES:

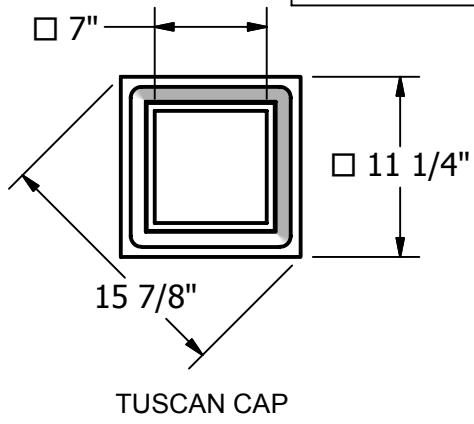
- 1. MATERIAL: FIBERGLASS REINFORCED POLYMER (FRP)
- 2. WEIGHT: COLUMN: 170 Lbs.
CAP: 5.5 Lbs.
- 3. MATERIAL THICKNESS.
COLUMN: 3/8"
- 4. INSIDE DIAMETER AT TOP OF COLUMN: 7"
- 5. OUTSIDE DIAMETER AT TOP OF COLUMN: 8"
- 6. INSIDE DIAMETER AT BOTTOM OF COLUMN: 7"
- 7. OUTSIDE DIAMETER AT BOTTOM OF COLUMN: 9 5/8"
- 8. THIS POST SHOULD ONLY BE CUT FROM THE TOP
- 9. NECK RING HEIGHT TO BE DETERMINED BY CUSTOMER

2 7/8"

SEE NOTE 10

B

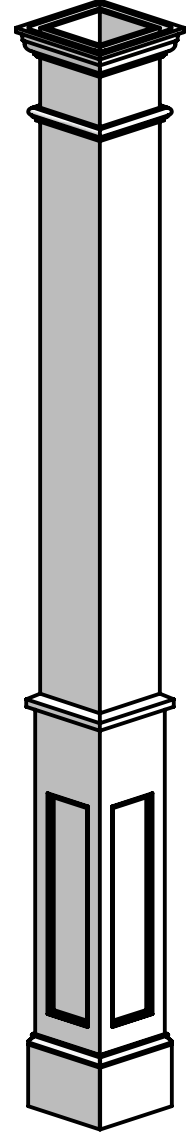
B



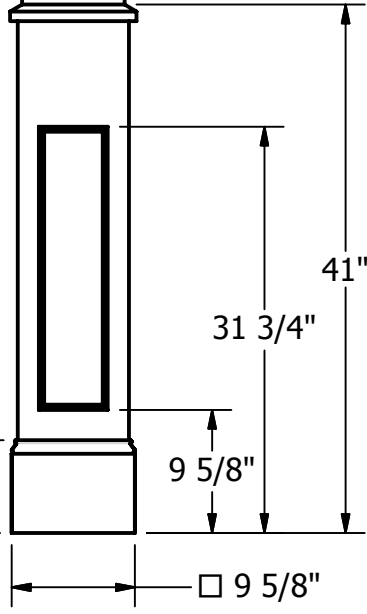
108"

A

A



NOT TO SCALE



A

A

DRAWN	Bryan Daniels	4/18/2016
CHECKED		
QA		
MFG		
APPROVED		



TITLE
Fiberglass Square Recessed Panel Pedestal Post Assembly 9'

DIMENSIONS ARE IN INCHES
TOLERANCE: ± 1/4"

SIZE A	DWG NO	SQPP100809	REV	03
SCALE	1:15	SHEET 1 OF 1		

2

1

