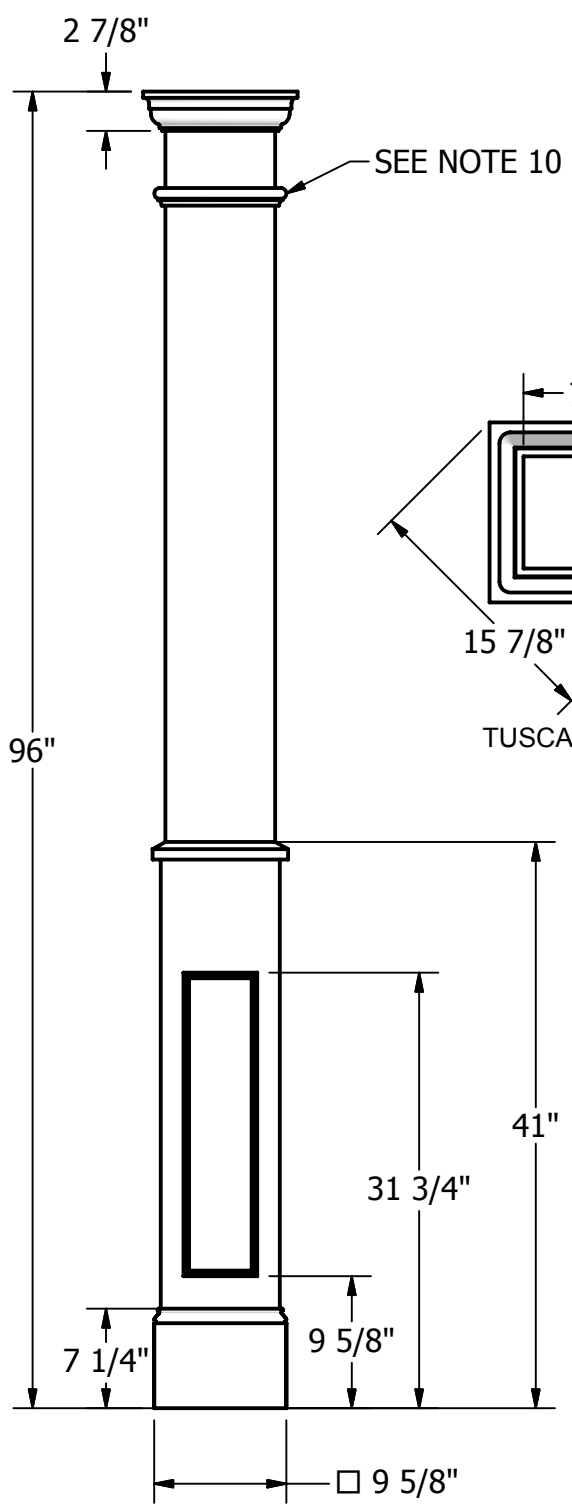


2

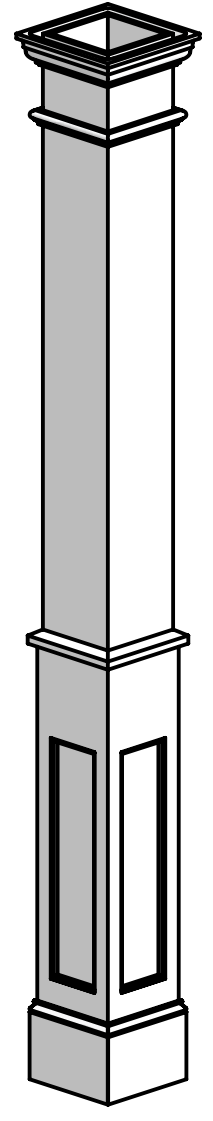
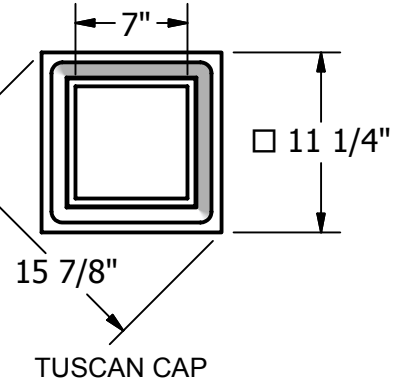
1

NOTES:

- 1. MATERIAL: FIBERGLASS REINFORCED POLYMER (FRP)
- 2. WEIGHT: COLUMN: 170 Lbs.
CAP: 5.5 Lbs.
- 3. MATERIAL THICKNESS.
COLUMN: 3/8"
- 4. INSIDE DIAMETER AT TOP OF COLUMN: 7"
- 5. OUTSIDE DIAMETER AT TOP OF COLUMN: 8"
- 6. INSIDE DIAMETER AT BOTTOM OF COLUMN: 7"
- 7. OUTSIDE DIAMETER AT BOTTOM OF COLUMN: 9 5/8"
- 8. THIS POST SHOULD ONLY BE CUT FROM THE TOP
- 9. NECK RING HEIGHT TO BE DETERMINED BY CUSTOMER



SEE NOTE 10



NOT TO SCALE

DRAWN	Bryan Daniels	4/18/2016
CHECKED		
QA		
MFG		
APPROVED		



TITLE
Fiberglass Square Recessed Panel Pedestal Post Assembly 8'

DIMENSIONS ARE IN INCHES
TOLERANCE: ± 1/4"

SIZE A	DWG NO	SQPP100808	REV	03
SCALE	1:14	SHEET 1 OF 1		

2

1

