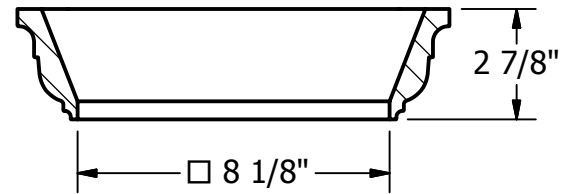
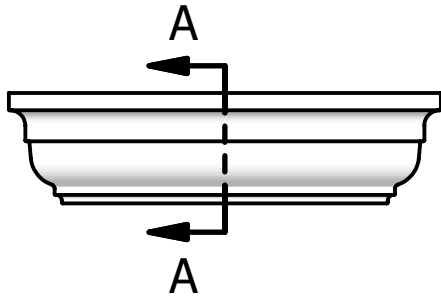
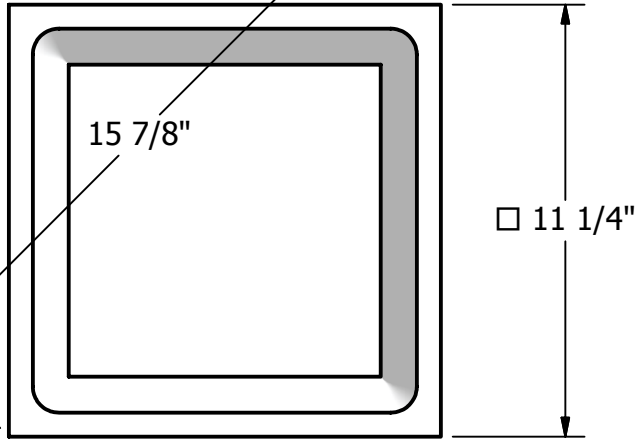


2

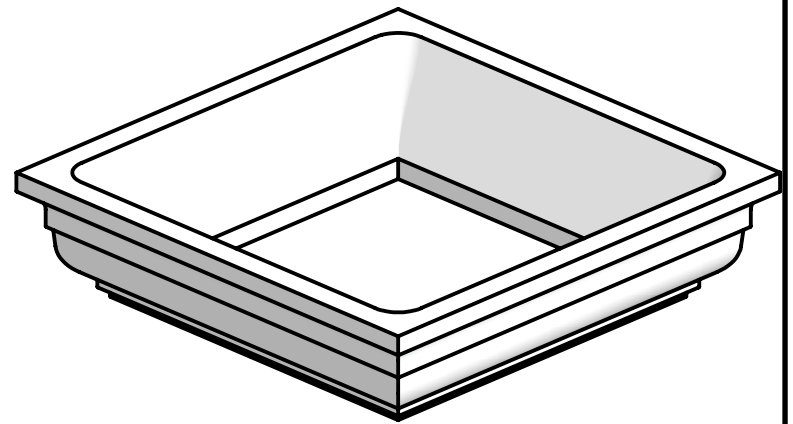
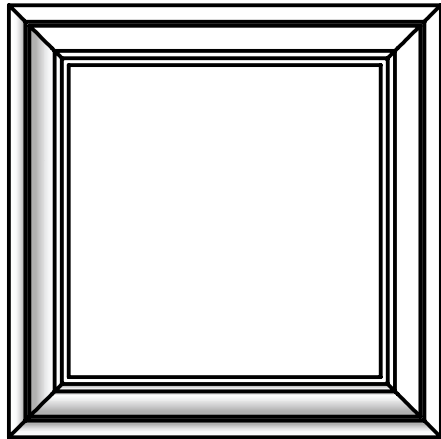
1

NOTES:

- 1. MATERIAL: FIBERGLASS REINFORCED POLYMER (FRP)
- 2. WEIGHT: 1.5 Lbs.
- 3. INSIDE DIAMETER: 8 1/8"
- 4. OUTSIDE DIAMETER: 11 1/4"



SECTION A-A



NOT TO SCALE

DRAWN	Bryan Daniels	4/19/2016
CHECKED		
QA		
MFG		
APPROVED		
DIMENSIONS ARE IN INCHES TOLERANCE: ± 1/4"		



TITLE		
Fiberglass Tuscan Square Poly Cap 8 Inch		

SIZE A	DWG NO	REV
1:5	SQTCP4108	03

2

1

