

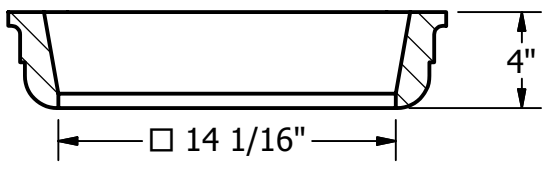
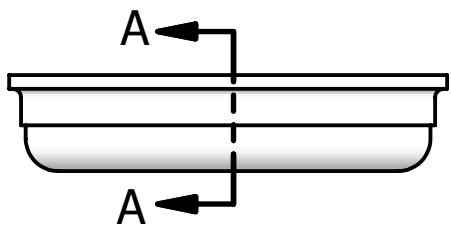
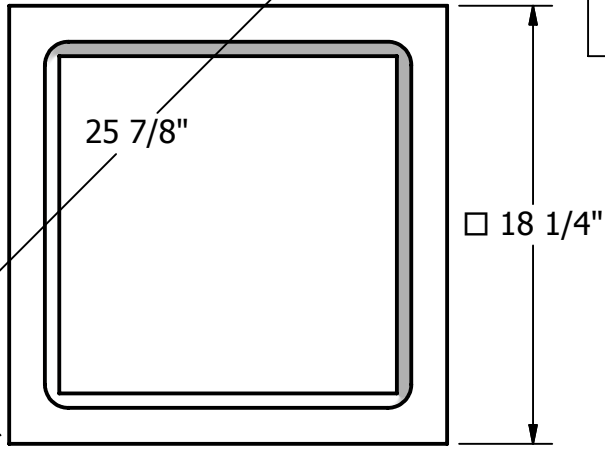


1

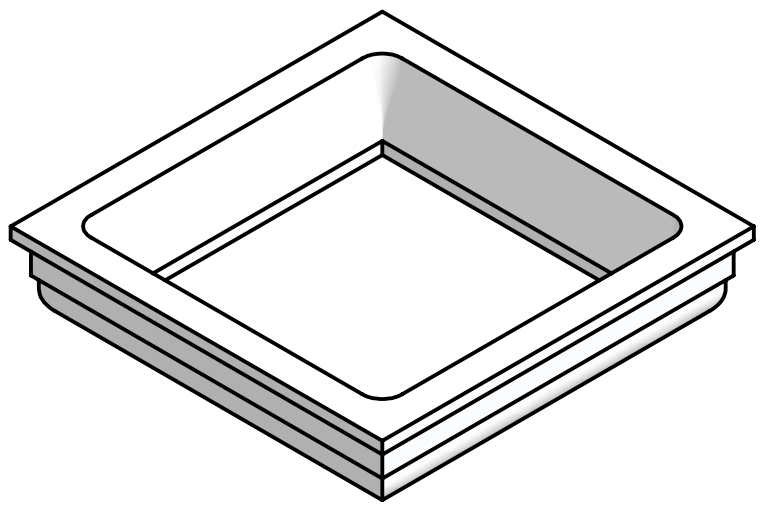
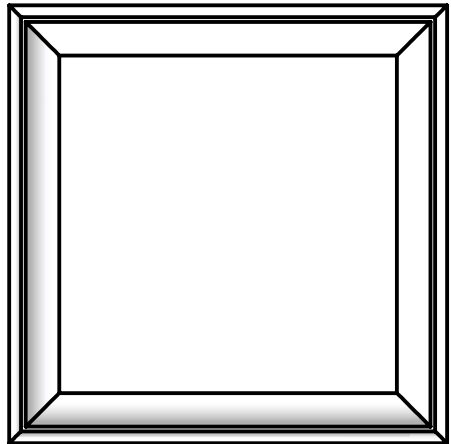
NOTES:

- 1. MATERIAL: FIBERGLASS REINFORCED POLYMER (FRP)
- 2. WEIGHT: 3 Lbs.
- 3. INSIDE DIAMETER: 14 1/16"
- 4. OUTSIDE DIAMETER: 18 1/4"

2



SECTION A-A



DRAWN	Bryan Daniels	4/12/2016
CHECKED		
QA		
MFG		
APPROVED		



TITLE
Fiberglass Tuscan Square Poly Cap 14 Inch

DIMENSIONS ARE IN INCHES
TOLERANCE: ± 1/4"

SIZE A	DWG NO	SQTCP4114	REV	03
--------	--------	-----------	-----	----

1:8

SHEET 1 OF 1

2



1

B

B



A

A