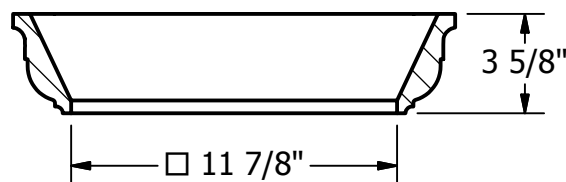
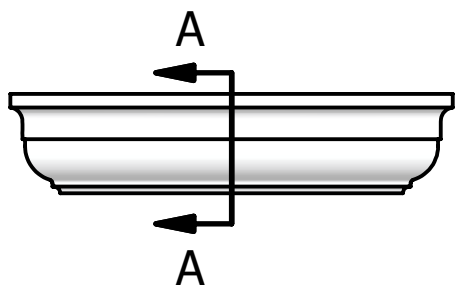
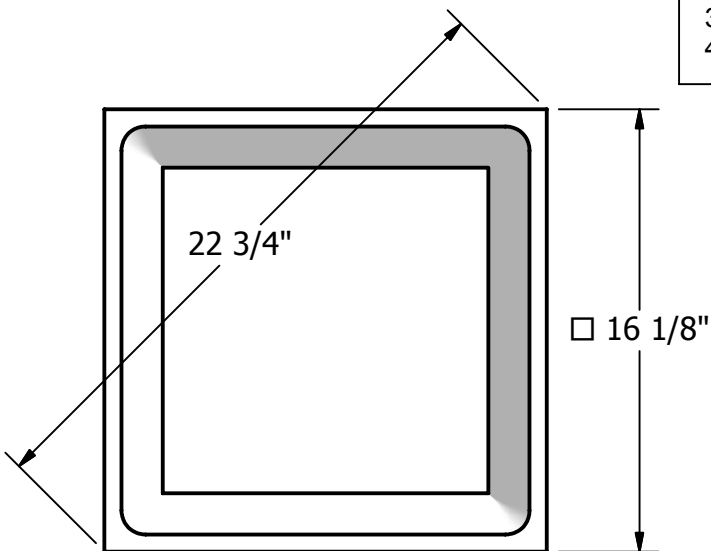


2

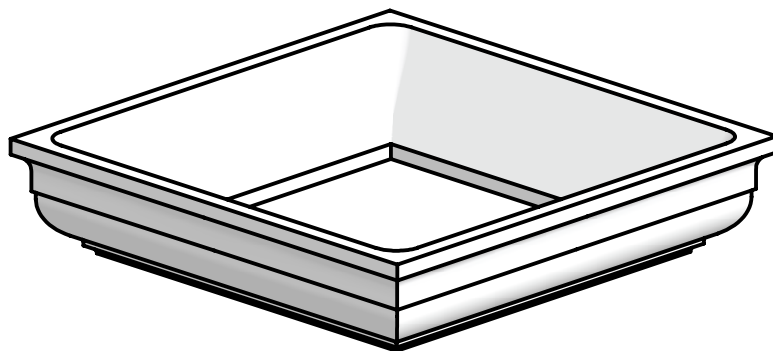
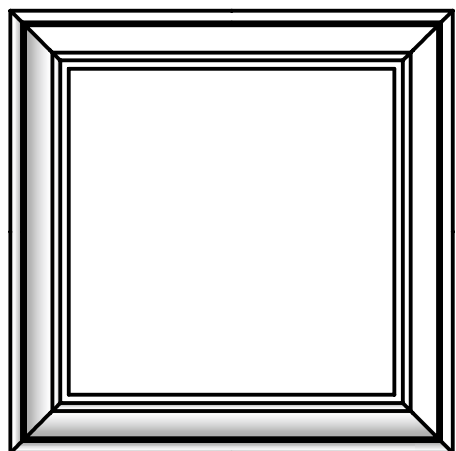
1

NOTES:

- 1. MATERIAL: FIBERGLASS REINFORCED POLYMER (FRP)
- 2. WEIGHT: 3 Lbs.
- 3. INSIDE DIAMETER: 11 7/8"
- 4. OUTSIDE DIAMETER: 16 1/8"



SECTION A-A



NOT TO SCALE

DRAWN	Bryan Daniels	4/19/2016
CHECKED		
QA		
MFG		
APPROVED		



TITLE

Fiberglass Tuscan Square Poly Cap 12 Inch

DIMENSIONS ARE IN INCHES
TOLERANCE: ± 1/4"

SIZE A	DWG NO	SQTCP4112	REV	03
--------	--------	-----------	-----	----

1:7

SHEET 1 OF 1

2

1