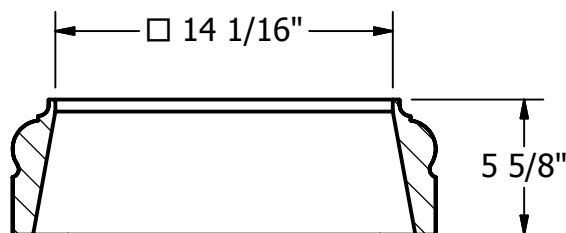
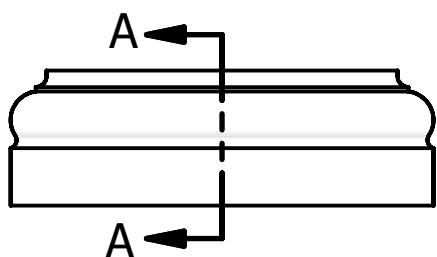
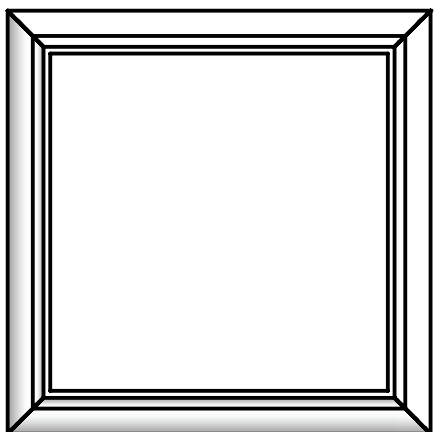


2

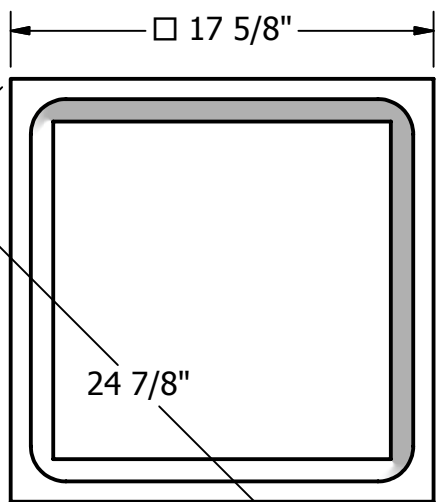
1

NOTES:

- 1. MATERIAL: FIBERGLASS REINFORCED POLYMER (FRP)
- 2. WEIGHT: 18 Lbs.
- 3. INSIDE DIAMETER: 14 1/16"
- 4. OUTSIDE DIAMETER: 17 5/8"

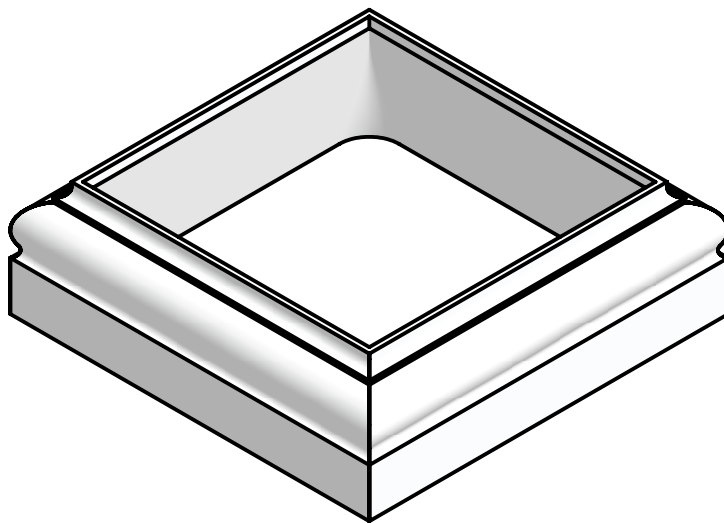


SECTION A-A



14 1/16"

17 5/8"



| | | |
|----------|---------------|-----------|
| DRAWN | Bryan Daniels | 4/12/2016 |
| CHECKED | | |
| QA | | |
| MFG | | |
| APPROVED | | |



TITLE

Fiberglass Tuscan Square Base 14 Inch

DIMENSIONS ARE IN INCHES
TOLERANCE: ± 1/4"

| | | | | |
|--------|--------|----------|-----|----|
| SIZE A | DWG NO | SQTB5514 | REV | 03 |
|--------|--------|----------|-----|----|

1:8

SHEET 1 OF 1

2

1