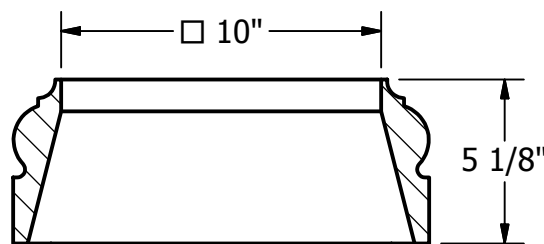
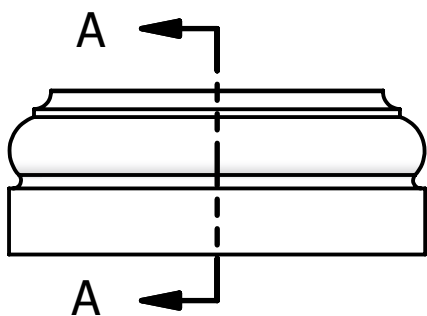
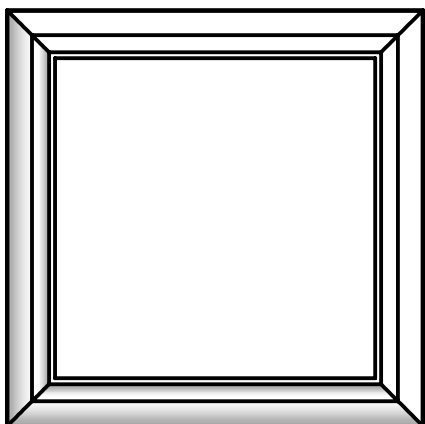


2

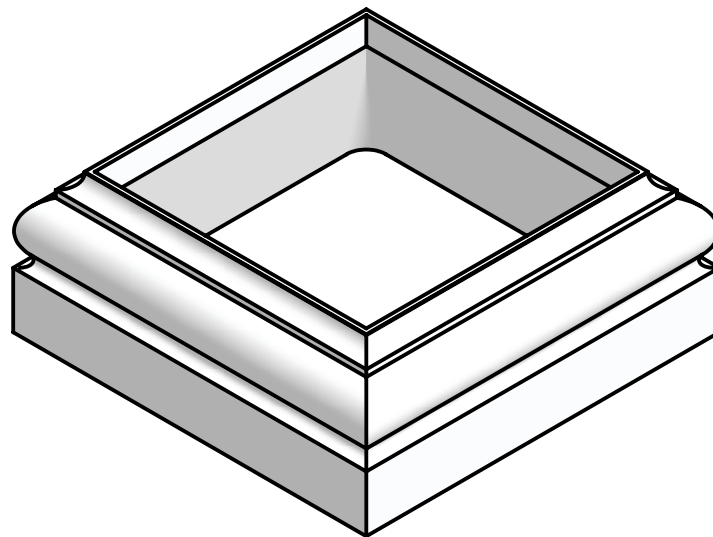
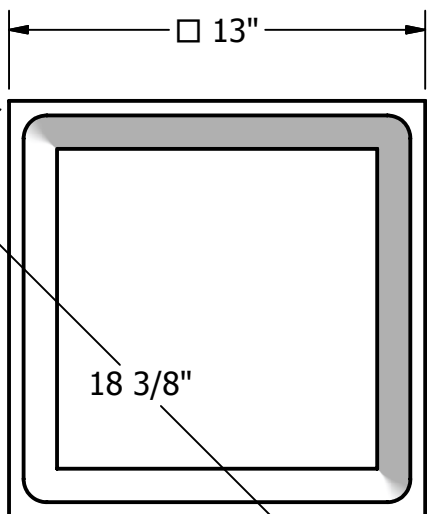
1

NOTES:

- 1. MATERIAL: FIBERGLASS REINFORCED POLYMER (FRP)
- 2. WEIGHT: 9 Lbs.
- 3. INSIDE DIAMETER: 10"
- 4. OUTSIDE DIAMETER: 13"



SECTION A-A



DRAWN	Bryan Daniels	4/12/2016
CHECKED		
QA		
MFG		
APPROVED		



TITLE

Fiberglass Tuscan Square Base 10 Inch

DIMENSIONS ARE IN INCHES
TOLERANCE: ± 1/4"

SIZE A	DWG NO	SQT B5510	REV	03
--------	--------	-----------	-----	----

1:6

SHEET 1 OF 1

2

1