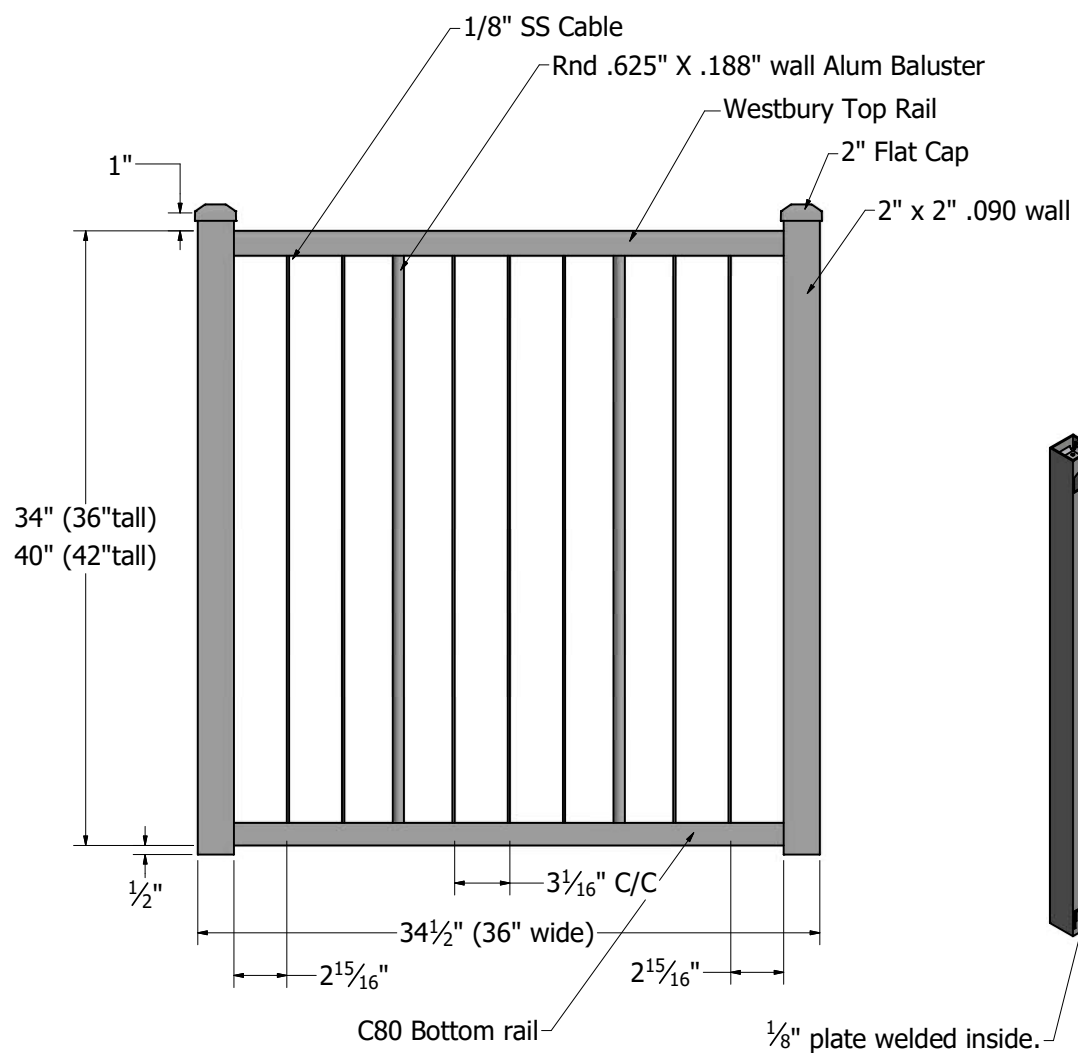
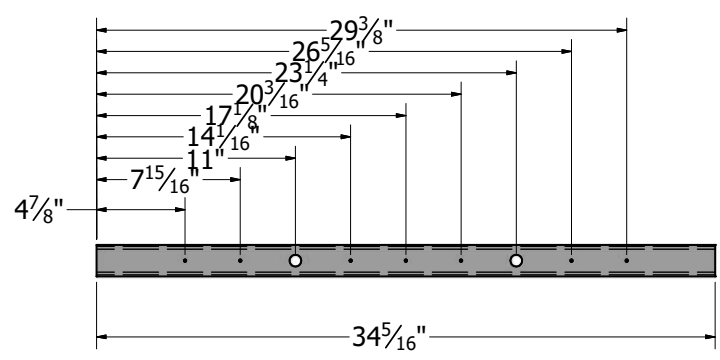


REV.	DESCRIPTION	DATE
A	New style bottom rail and part numbers	07-23-2018



1/8" plate welded inside.

All balusters welded to top and bottom rail.



DSI Digger Specialties Inc.
 3446 US 6 EAST
 BREMEN, IN 46506
 www.diggerspecialties.com

WEIGHT:	DRAWN BY: cm	MATERIAL:
STANDARD TOLERANCE: .00 .01 .000 .005 ANG. .5~	DATE DRAWN: 7/20/2018	Aluminum & SS Cable
FRACTIONS: ± 1/16	DRAFT NO. 20180720-1F	
FILE LOC: Z:\Aluminum\Westbury\C80 VertiCable\Gates\C80 Gate 36W 71696, 71699.idw	PART NAME: C80 Gate 36W 71696, 71699.idw	PART NUMBER: 71696 (36W x 36T) 71699 (36W x 42T)

REV. A
