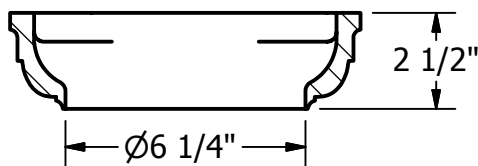
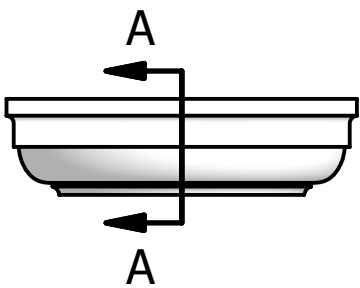
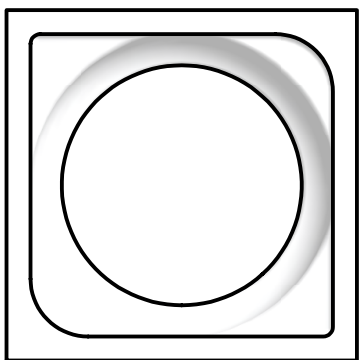


2

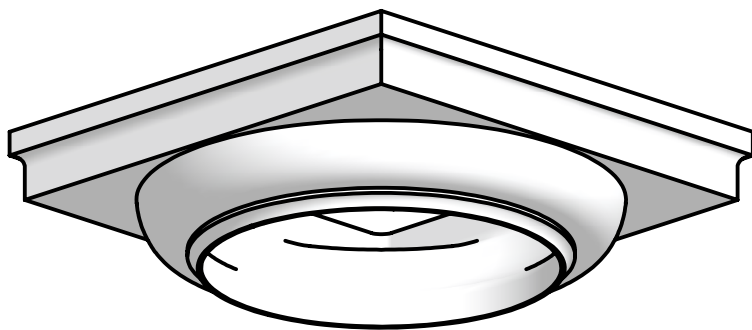
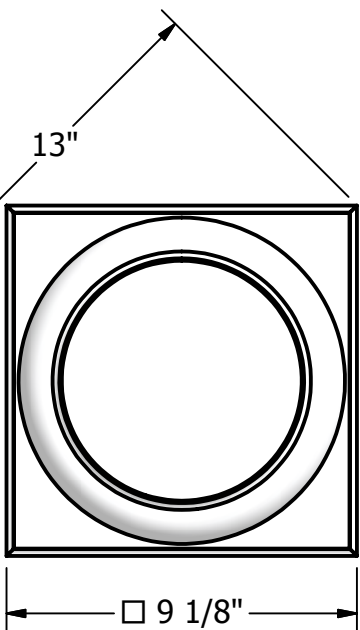
1

NOTES:

- 1. MATERIAL: FIBERGLASS REINFORCED POLYMER (FRP)
- 2. WEIGHT: 2.5 Lbs.
- 3. INSIDE DIAMETER: 6 1/4 "
- 4. OUTSIDE DIAMETER: 9 1/8 "



SECTION A-A



NOT TO SCALE

DRAWN	Bryan Daniels	4/26/2016
CHECKED		
QA		
MFG		
APPROVED		



TITLE
Fiberglass Tuscan Round Cap 8 Inch

DIMENSIONS ARE IN INCHES
TOLERANCE: ± 1/4"

SIZE	A	DWG NO	TC2508	REV	03
SCALE	1:5	SHEET 1 OF 1			

2

1