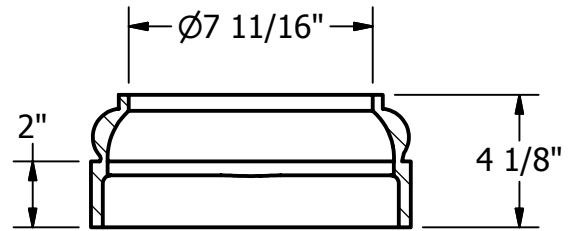
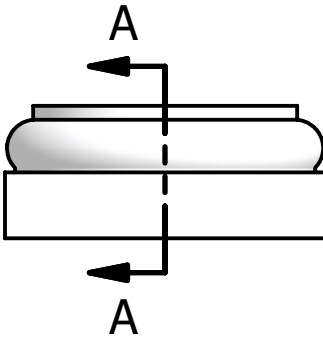
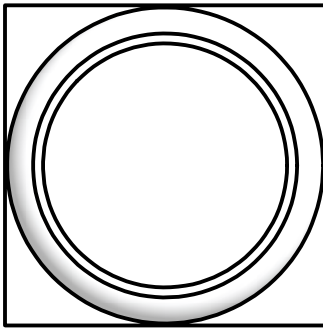


2

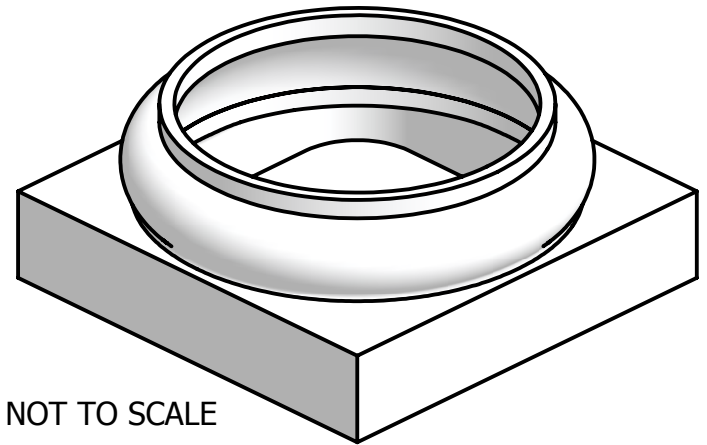
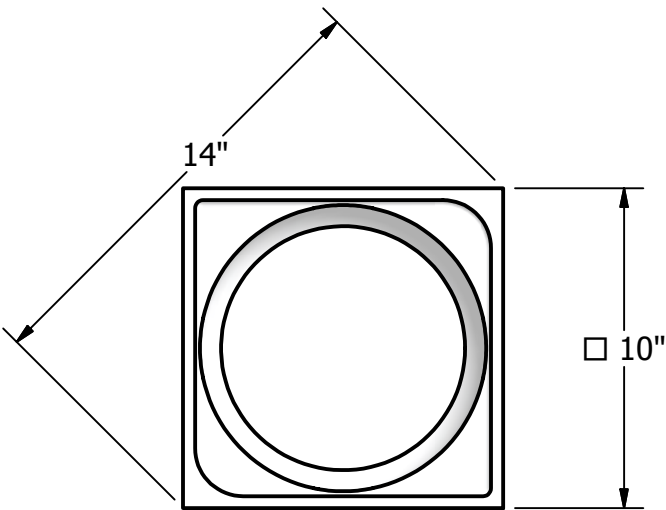
1

NOTES:

- 1. MATERIAL: FIBERGLASS REINFORCED POLYMER (FRP)
- 2. WEIGHT: 4.5 Lbs.
- 3. INSIDE DIAMETER: 7 11/16 "
- 4. OUTSIDE DIAMETER: 10 "



SECTION A-A



NOT TO SCALE

DRAWN	Bryan Daniels	5/16/2016
CHECKED		
QA		
MFG		
APPROVED		



TITLE
Fiberglass Tuscan Round Base Non-Tapered Column 8 Inch

DIMENSIONS ARE IN INCHES
TOLERANCE: ± 1/4"

SIZE	A	DWG NO	NTTB2608	REV	03
SCALE	1:6	SHEET 1 OF 1			

2

1