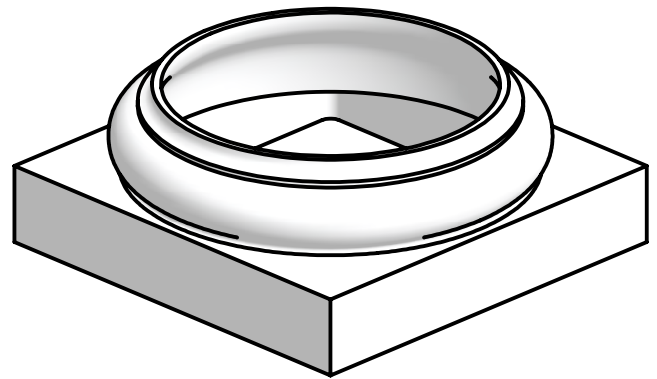
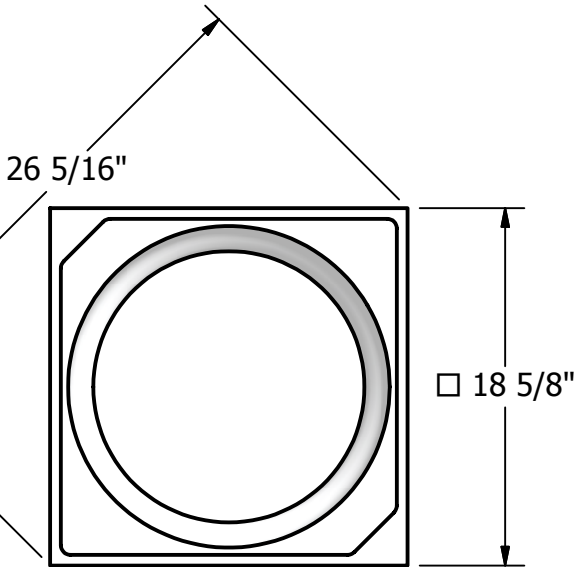
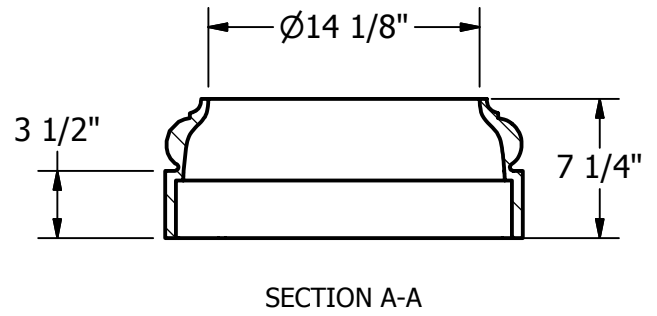
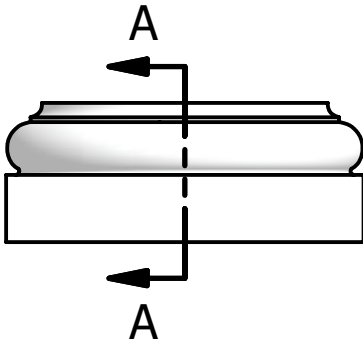
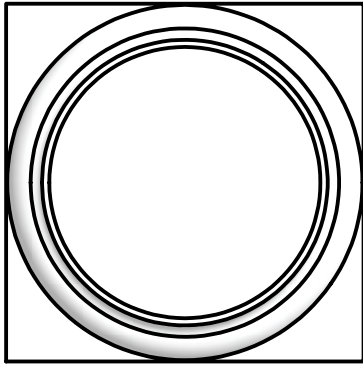


2

1

NOTES:

- 1. MATERIAL: FIBERGLASS REINFORCED POLYMER (FRP)
- 2. WEIGHT: 24 Lbs.
- 3. INSIDE DIAMETER: 14 1/8"
- 4. OUTSIDE DIAMETER: 18 5/8"



NOT TO SCALE

DRAWN	Bryan Daniels	5/16/2016	 		
CHECKED					
QA					
MFG					
APPROVED					
TITLE			Fiberglass Tuscan Round Base for Non-Tapered Column 14 Inch		
DIMENSIONS ARE IN INCHES TOLERANCE: ± 1/4"					
SIZE	A	DWG NO	NTTB2614	REV	03
SCALE	1:10	SHEET 1 OF 1			

2

1