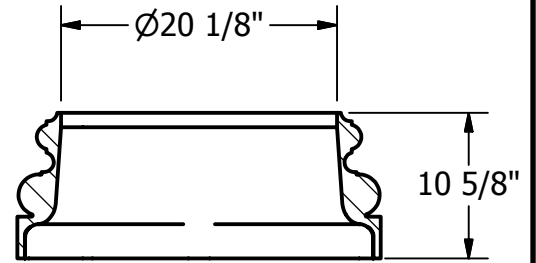
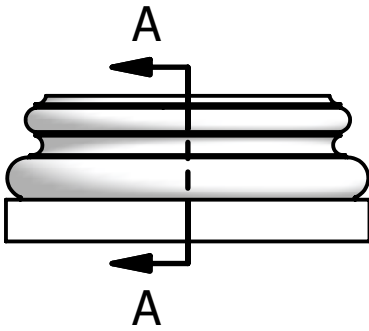
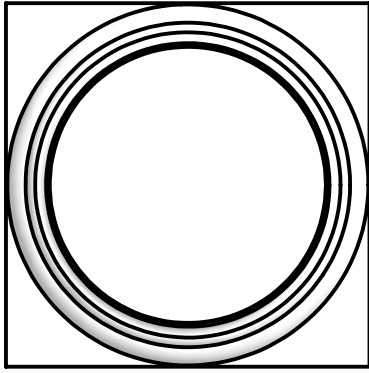


2

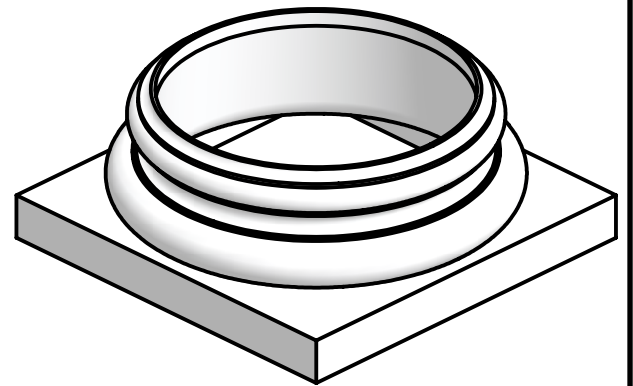
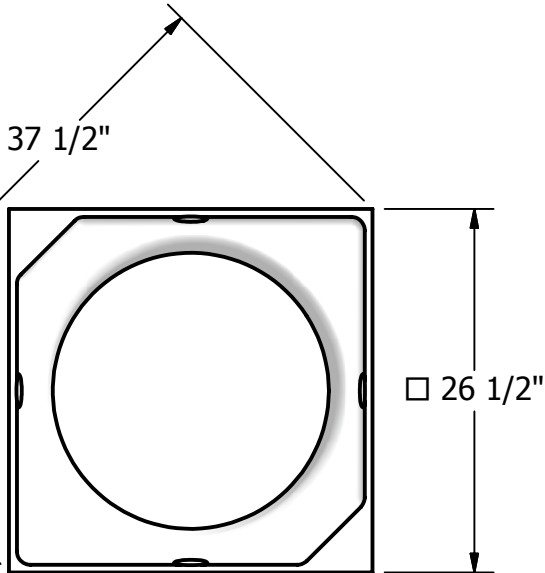
1

NOTES:

- 1. MATERIAL: FIBERGLASS REINFORCED POLYMER (FRP)
- 2. WEIGHT: 106 Lbs.
- 3. INSIDE DIAMETER: 20 1/8"
- 4. OUTSIDE DIAMETER: 26 1/2"



SECTION A-A



NOT TO SCALE

DRAWN	Bryan Daniels	5/19/2016
CHECKED		
QA		
APPROVED		



TITLE
Fiberglass Attic Base 20 Inch

DIMENSIONS ARE IN INCHES
TOLERANCE: ± 1/4"

SIZE	A	DWG NO	AB2820	REV	03
SCALE	1:14	SHEET 1 OF 1			

2

1