

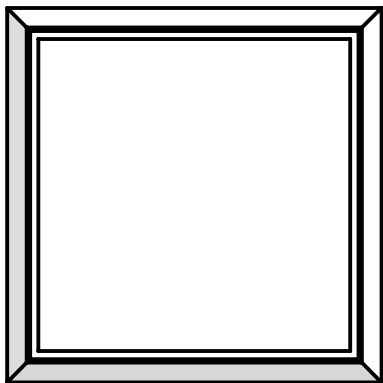


1

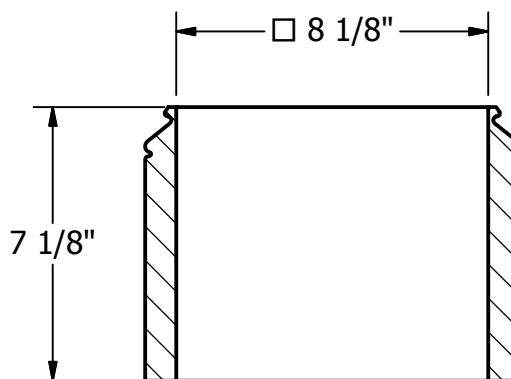
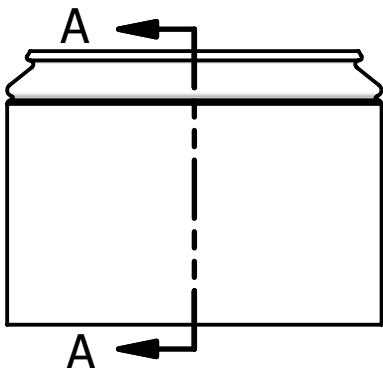
NOTES:

- 1. MATERIAL: FIBERGLASS REINFORCED POLYMER (FRP)
- 2. WEIGHT: 10 Lbs.
- 3. INSIDE DIAMETER: 8 1/8"
- 4. OUTSIDE DIAMETER: 9 3/4"

2

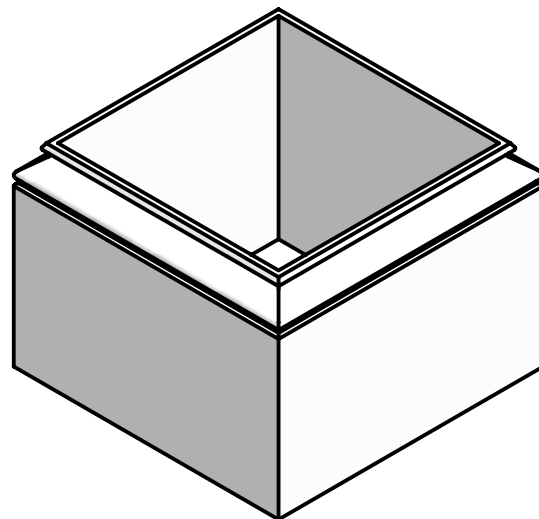
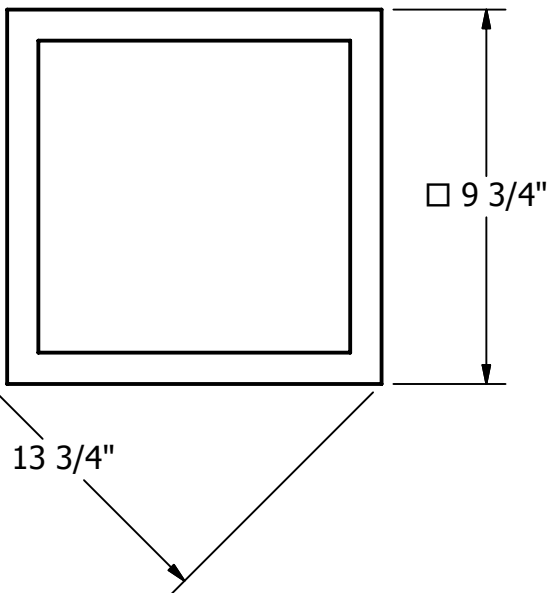


B



SECTION A-A

B



NOT TO SCALE

A

A

DRAWN	Bryan Daniels	4/18/2016
CHECKED		
QA		
MFG		
APPROVED		



TITLE
Alto Base 8 Inch

DIMENSIONS ARE IN INCHES
TOLERANCE: ± 1/4"

SIZE	A	DWG NO	SQAB5608	REV	03
SCALE	1:5	SHEET 1 OF 1			

2



1