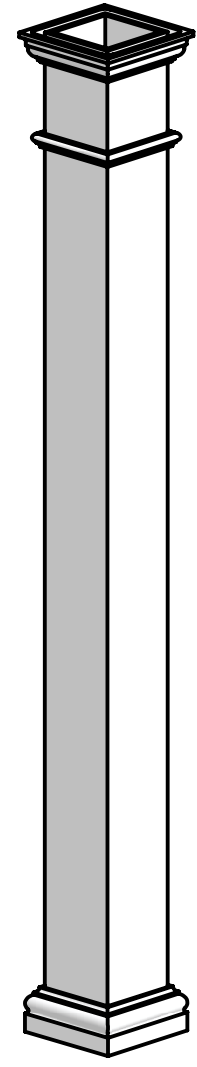
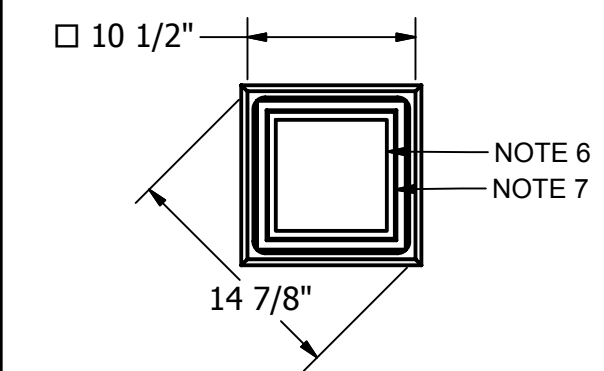
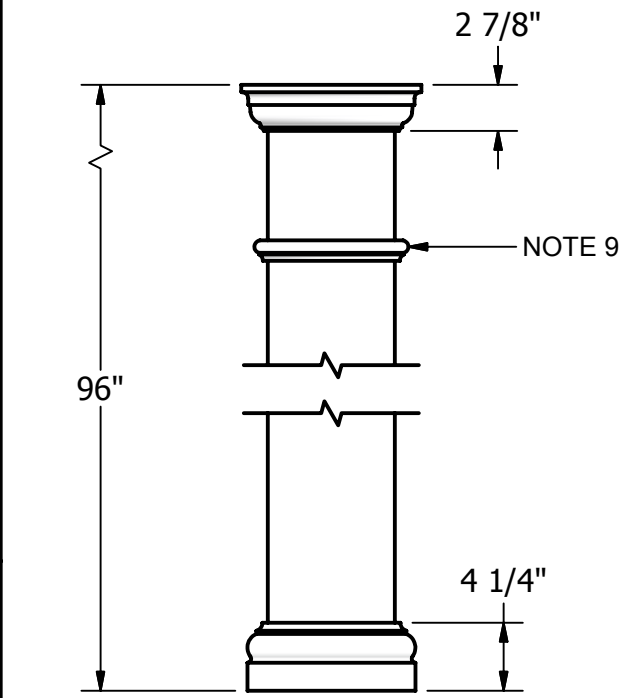


- NOTES:**
1. MATERIAL: FIBERGLASS REINFORCED POLYMER (FRP)
  2. WEIGHT: COLUMN: 90 Lbs.  
CAP: 5.5 Lbs.  
BASE: 7 Lbs.
  3. MATERIAL THICKNESS.  
COLUMN: 1/2"
  4. INSIDE DIAMETER AT TOP OF COLUMN: 6 15/16"
  5. OUTSIDE DIAMETER AT TOP OF COLUMN: 7 15/16"
  6. INSIDE DIAMETER AT BOTTOM OF COLUMN: 6 15/16"
  7. OUTSIDE DIAMETER AT BOTTOM OF COLUMN: 7 15/16"
  8. NECK RING HEIGHT TO BE DETERMINED BY CUSTOMER



NOT TO SCALE

DRAWN	Bryan Daniels	4/13/2016
CHECKED		
QA		
MFG		
APPROVED		



TITLE  
Fiberglass Square, Smooth 8" x 8"

DIMENSIONS ARE IN INCHES  
TOLERANCE: ± 1/4"

SIZE	A	DWG NO	SQS0808	REV	03
SCALE	1:12	SHEET 1 OF 1			

2

1