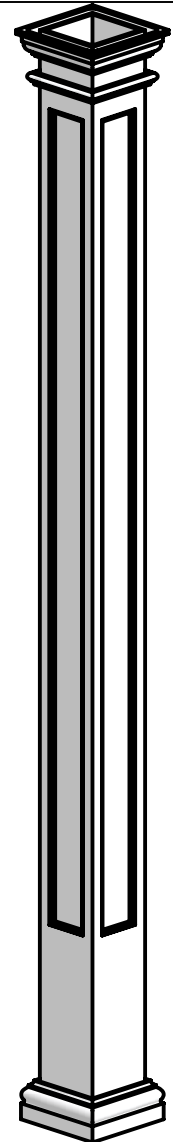
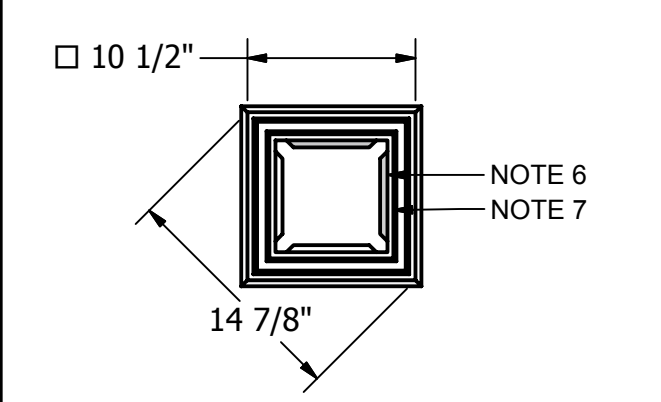
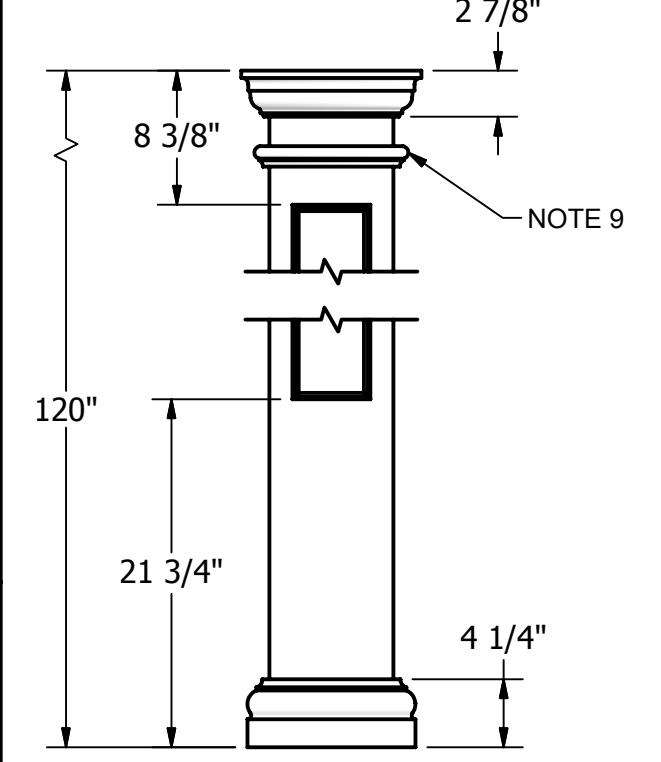




- NOTES:**
1. MATERIAL: FIBERGLASS REINFORCED POLYMER (FRP)
 2. WEIGHT: COLUMN: 134 Lbs.
CAP: 5.5 Lbs.
BASE: 7 Lbs.
 3. MATERIAL THICKNESS.
COLUMN: 3/8"
 4. INSIDE DIAMETER AT TOP OF COLUMN: 6 3/4"
 5. OUTSIDE DIAMETER AT TOP OF COLUMN: 7 3/4"
 6. INSIDE DIAMETER AT BOTTOM OF COLUMN: 7 1/4"
 7. OUTSIDE DIAMETER AT BOTTOM OF COLUMN: 7 3/4"
 8. NECK RING HEIGHT TO BE DETERMINED BY CUSTOMER



NOT TO SCALE

DRAWN	Bryan Daniels	/1 /2016
CHECKED		
QA		
APPR	E	





TITLE
ber lass Square Recessed Panel Post Assembly 8" x 10'

DIMENSIONS ARE IN INCHES
TOLERANCE: ± 1/4"

SIZE	A	DWG NO	SQRE0810	REV	03
SCALE	1:12	SHEET 1 OF 1			