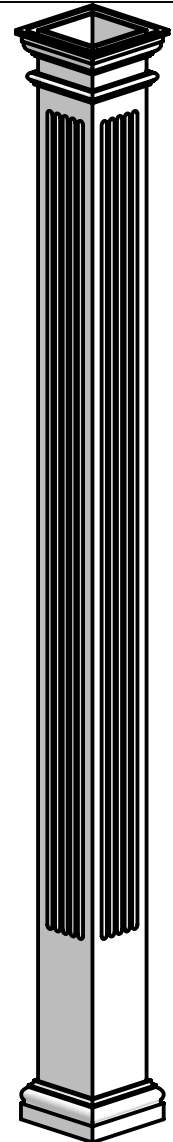
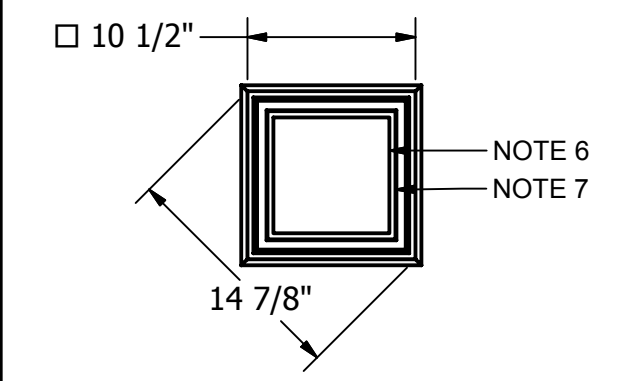
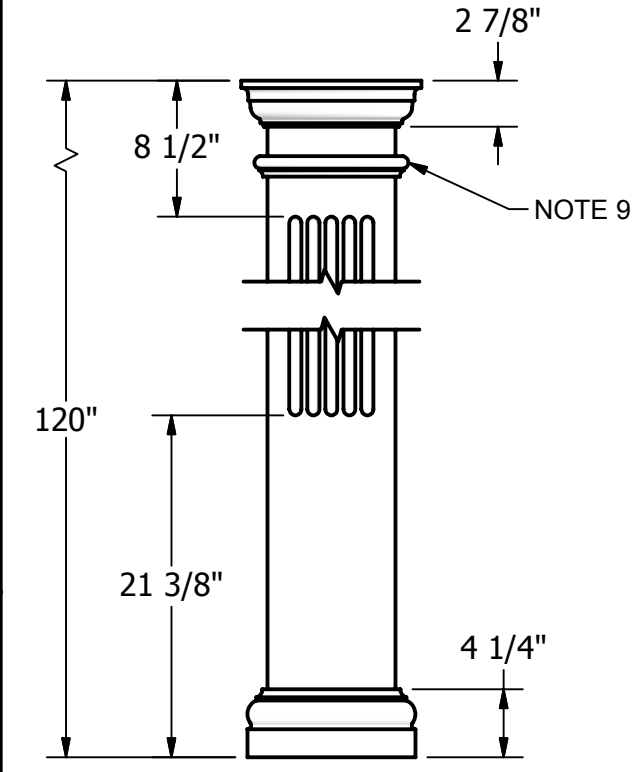


- NOTES:**
1. MATERIAL: FIBERGLASS REINFORCED POLYMER (FRP)
  2. WEIGHT: COLUMN: 162 Lbs.  
CAP: 5.5 Lbs.  
BASE: 7 Lbs.
  3. MATERIAL THICKNESS.  
COLUMN: 3/8"
  4. INSIDE DIAMETER AT TOP OF COLUMN: 6 3/4"
  5. OUTSIDE DIAMETER AT TOP OF COLUMN: 8"
  6. INSIDE DIAMETER AT BOTTOM OF COLUMN: 7 1/4"
  7. OUTSIDE DIAMETER AT BOTTOM OF COLUMN: 8"
  8. NECK RING HEIGHT TO BE DETERMINED BY CUSTOMER



DRAWN	Bryan Daniels	4/14/2016
CHECKED		
QA		
MFG		
APPROVED		



TITLE  
Fiberglass Square Fluted Assembly 8" x 10'

DIMENSIONS ARE IN INCHES  
TOLERANCE: ± 1/4"

SIZE	A	DWG NO	SQF0810	REV	03
SCALE	1:12	SHEET 1 OF 1			

2



1