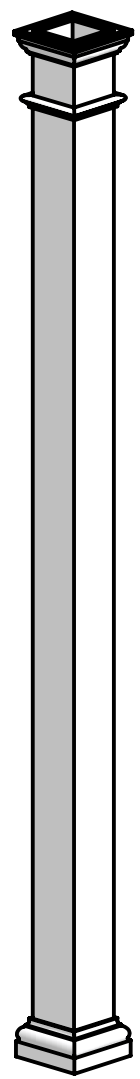
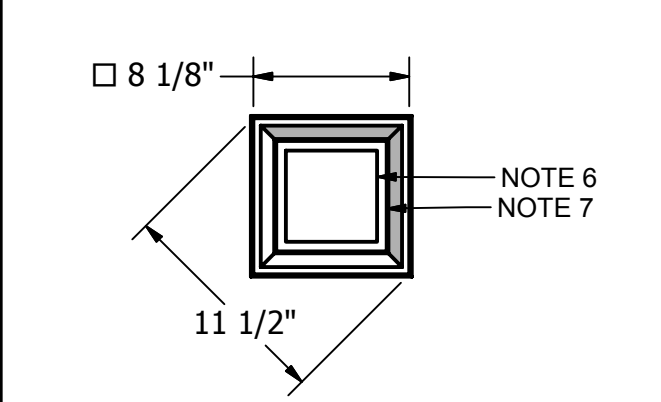
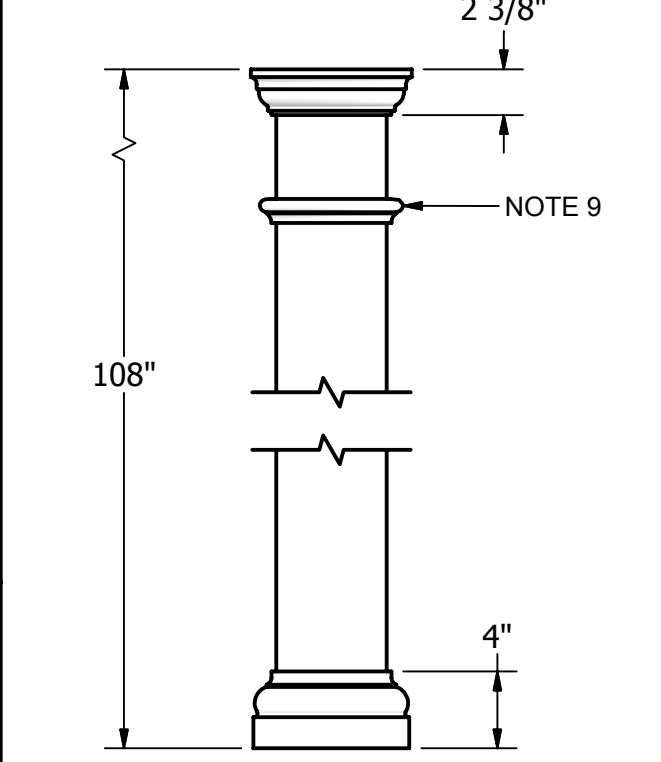


- NOTES:**
1. MATERIAL: FIBERGLASS REINFORCED POLYMER (FRP)
 2. WEIGHT: COLUMN: 72 Lbs.
CAP: 4 Lbs.
BASE: 4.5 Lbs.
 3. MATERIAL THICKNESS.
COLUMN: 1/2"
 4. INSIDE DIAMETER AT TOP OF COLUMN: 4 3/4"
 5. OUTSIDE DIAMETER AT TOP OF COLUMN: 5 3/4"
 6. INSIDE DIAMETER AT BOTTOM OF COLUMN: 4 3/4"
 7. OUTSIDE DIAMETER AT BOTTOM OF COLUMN: 5 3/4"



NOT TO SCALE

DRAWN	Bryan Daniels	4/13/2016
CHECKED		
QA		
MFG		
APPROVED		



TITLE
Fiberglass Square, Smooth 6" x 9"

DIMENSIONS ARE IN INCHES
TOLERANCE: ± 1/4"

SIZE A	DWG NO	SQS0609	REV	03
SCALE	1:12	SHEET 1 OF 1		