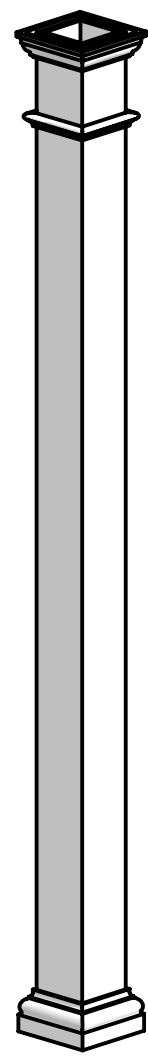
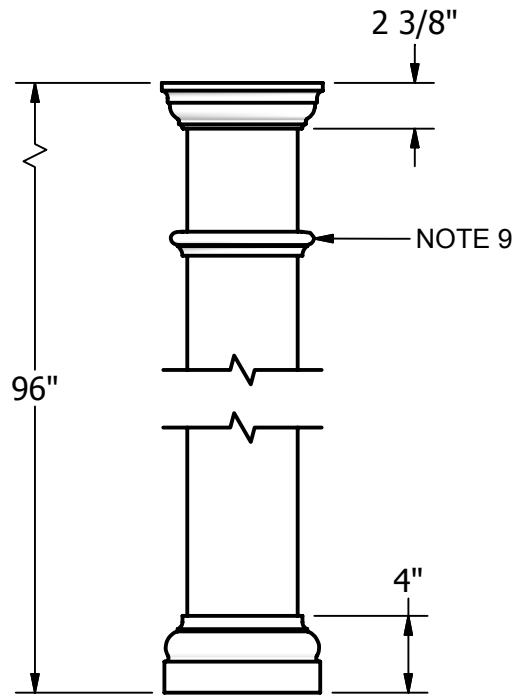
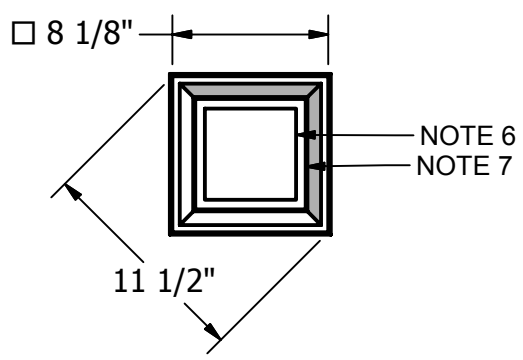




- NOTES:**
1. MATERIAL: FIBERGLASS REINFORCED POLYMER (FRP)
 2. WEIGHT: COLUMN: 64 Lbs.
CAP: 4 Lbs.
BASE: 4.5 Lbs.
 3. MATERIAL THICKNESS.
COLUMN: 1/2"
 4. INSIDE DIAMETER AT TOP OF COLUMN: 4 3/4"
 5. OUTSIDE DIAMETER AT TOP OF COLUMN: 5 3/4"
 6. INSIDE DIAMETER AT BOTTOM OF COLUMN: 4 3/4"
 7. OUTSIDE DIAMETER AT BOTTOM OF COLUMN: 5 3/4"
 8. NECK RING HEIGHT TO BE DETERMINED BY CUSTOMER



NOT TO SCALE



DRAWN	Bryan Daniels	4/13/2016	 		
CHECKED					
QA					
MFG					
APPROVED					
DIMENSIONS ARE IN INCHES TOLERANCE: ± 1/4"			TITLE Fiberglass Square, Smooth 6" x 8"		
SIZE	A	DWG NO	SQS0608	REV	03
SCALE	1:12	SHEET 1 OF 1			

2



1