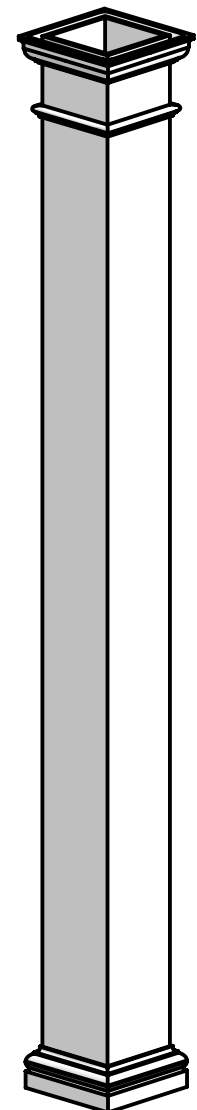
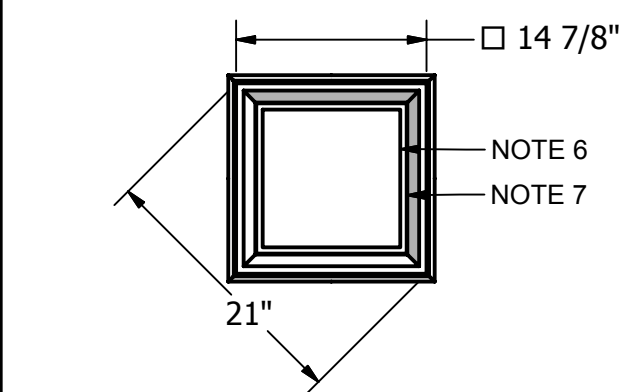
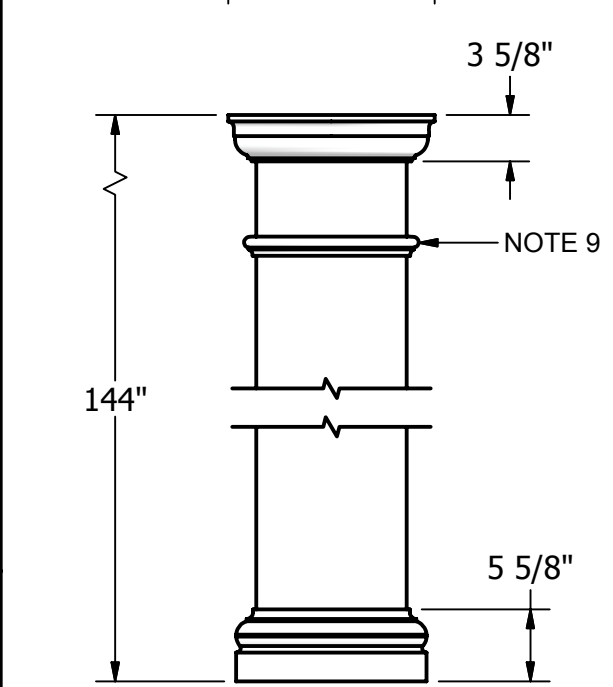


- NOTES:**
1. MATERIAL: FIBERGLASS REINFORCED POLYMER (FRP)
 2. WEIGHT: COLUMN: 220 Lbs.
CAP: 9 Lbs.
BASE: 12 Lbs.
 3. MATERIAL THICKNESS.
COLUMN: 1/2"
 4. INSIDE DIAMETER AT TOP OF COLUMN: 10 3/4"
 5. OUTSIDE DIAMETER AT TOP OF COLUMN: 11 3/4"
 6. INSIDE DIAMETER AT BOTTOM OF COLUMN: 10 3/4"
 7. OUTSIDE DIAMETER AT BOTTOM OF COLUMN: 11 3/4"
 8. NECK RING HEIGHT TO BE DETERMINED BY CUSTOMER



NOT TO SCALE

DRAWN	Bryan Daniels	4/13/2016
CHECKED		
QA		
MFG		
APPROVED		



TITLE
Fiberglass Square, Smooth 12" x 12'

DIMENSIONS ARE IN INCHES
TOLERANCE: ± 1/4"

SIZE A	DWG NO	SQS1212	REV	03
SCALE	1:15	SHEET 1 OF 1		