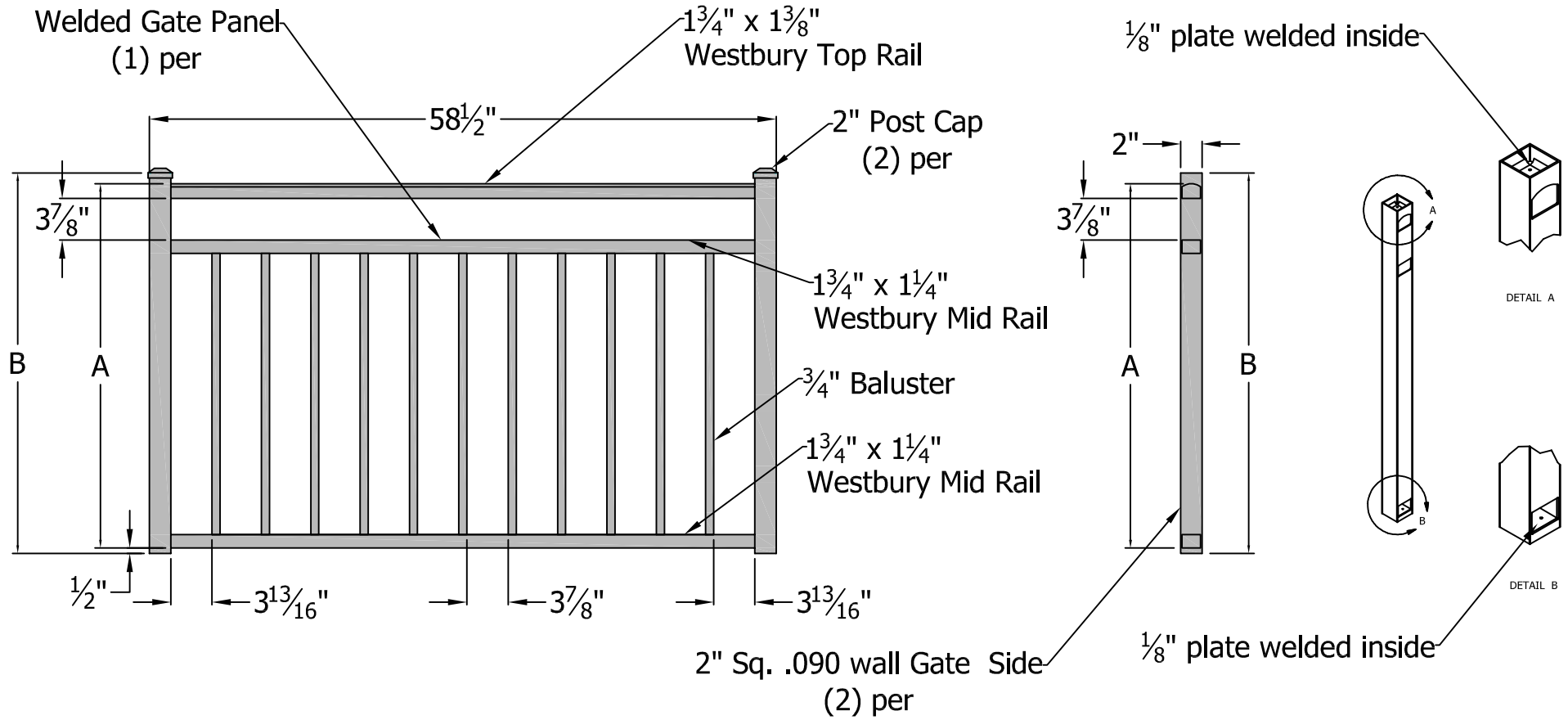


Nominal Rail Height	Baluster Style	Part #	A	B
36"	Square	73312	34"	35½"
36"	Round	73326	34"	35½"
42"	Square	73313	40"	41½"
42"	Round	73327	40"	41½"

PART NUMBER:		
REV.	REVISION	DATE
A	RELEASE PENDING APPROVAL	
A	Reduced bottom rail height from 1" to 3/8"	03/29/2016



APPROVED BY:

DATE APPROVED:

4

3

FINISH:



3446 US 6 EAST  
Bremen, IN 46506

2

SHEET SIZE= C	DRAWN BY: cm	PART NUMBER or STYLE: C30_C301 Gate 60in Wide
SCALE = 1":1"	DATE DRAWN: 02-18-2016	Quote requested by:
STANDARD TOLERANCE: .00 ±.01 FRACTIONS: .000 ±.005 ±1/16" ANG. ±.5°	LOC: Z:\Aluminum\Westbury\C30 Riviera\C30 Riviera\Gates	
FIRST USED ON:	DRAFT: 20160218-3C	PART NAME: Gate
		SHEET OF B

1