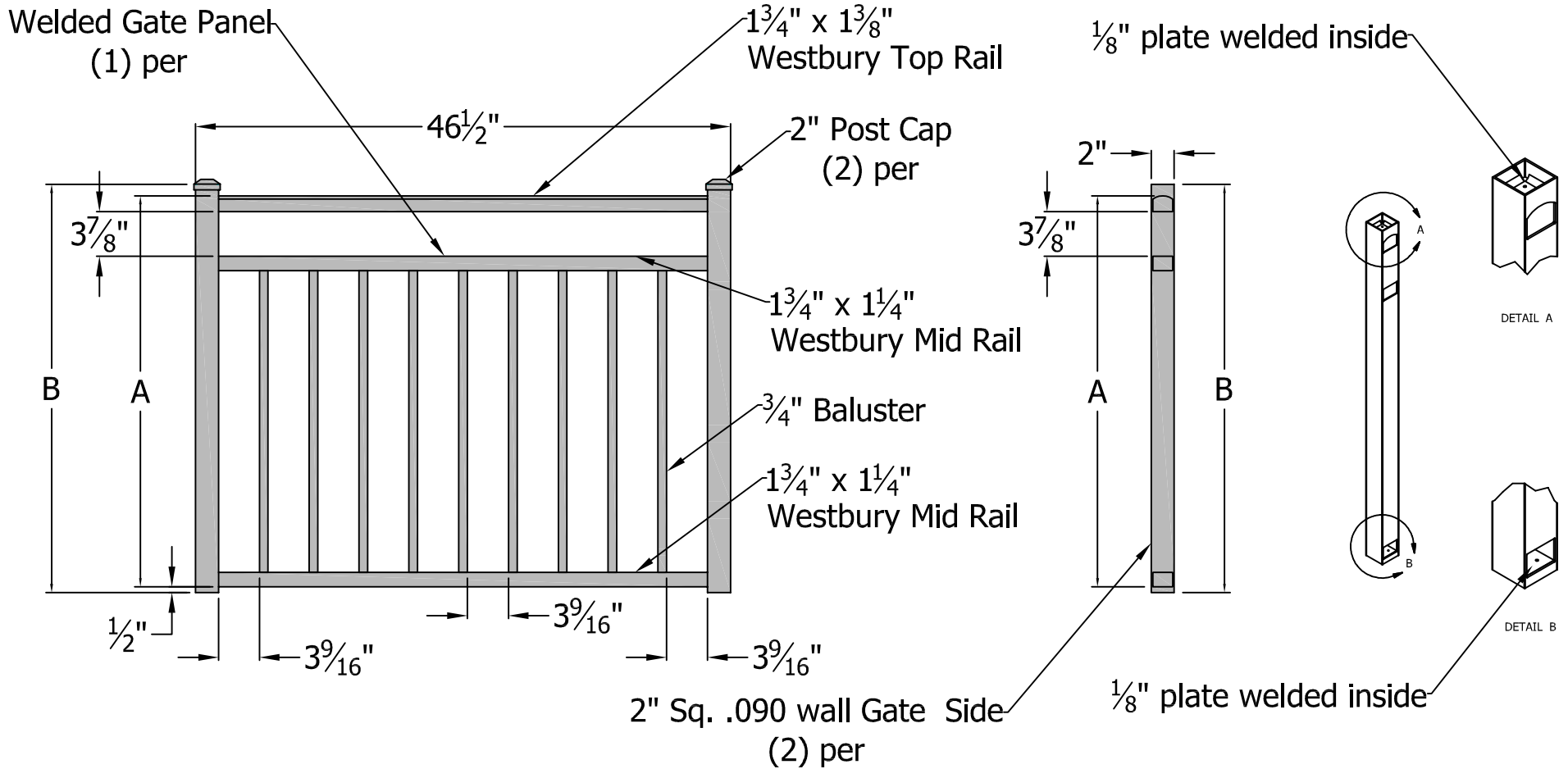


Nominal Rail Height	Baluster Style	Part #	A	B
36"	Square	70390	34"	35½"
36"	Round	72372	34"	35½"
42"	Square	70392	40"	41½"
42"	Round	72374	40"	41½"

PART NUMBER:		DATE
REV. A	RELEASE PENDING APPROVAL	
REV. A	Reduced bottom rail height from 3" to 2"	03/29/2016



APPROVED BY:

DATE APPROVED:

4

3

FINISH:



3446 US 6 EAST  
Bremen, IN 46506

2

SHEET SIZE= C	DRAWN BY: CM	PART NUMBER or STYLE: C30_C301 Gate 48in Wide
SCALE = 1":1"	DATE DRAWN: 02-18-2016	Quote requested by:
STANDARD TOLERANCE: .00 ±.01 FRACTIONS: .000 ±.005 ANG. ±.5°	LOC: Z:\Aluminum\Westbury\C30 Riviera\C30 Riviera\Gates	
FIRST USED ON:	DRAFT: 20160218-2C	PART NAME: Gate
		SHEET OF
		REV. B

1