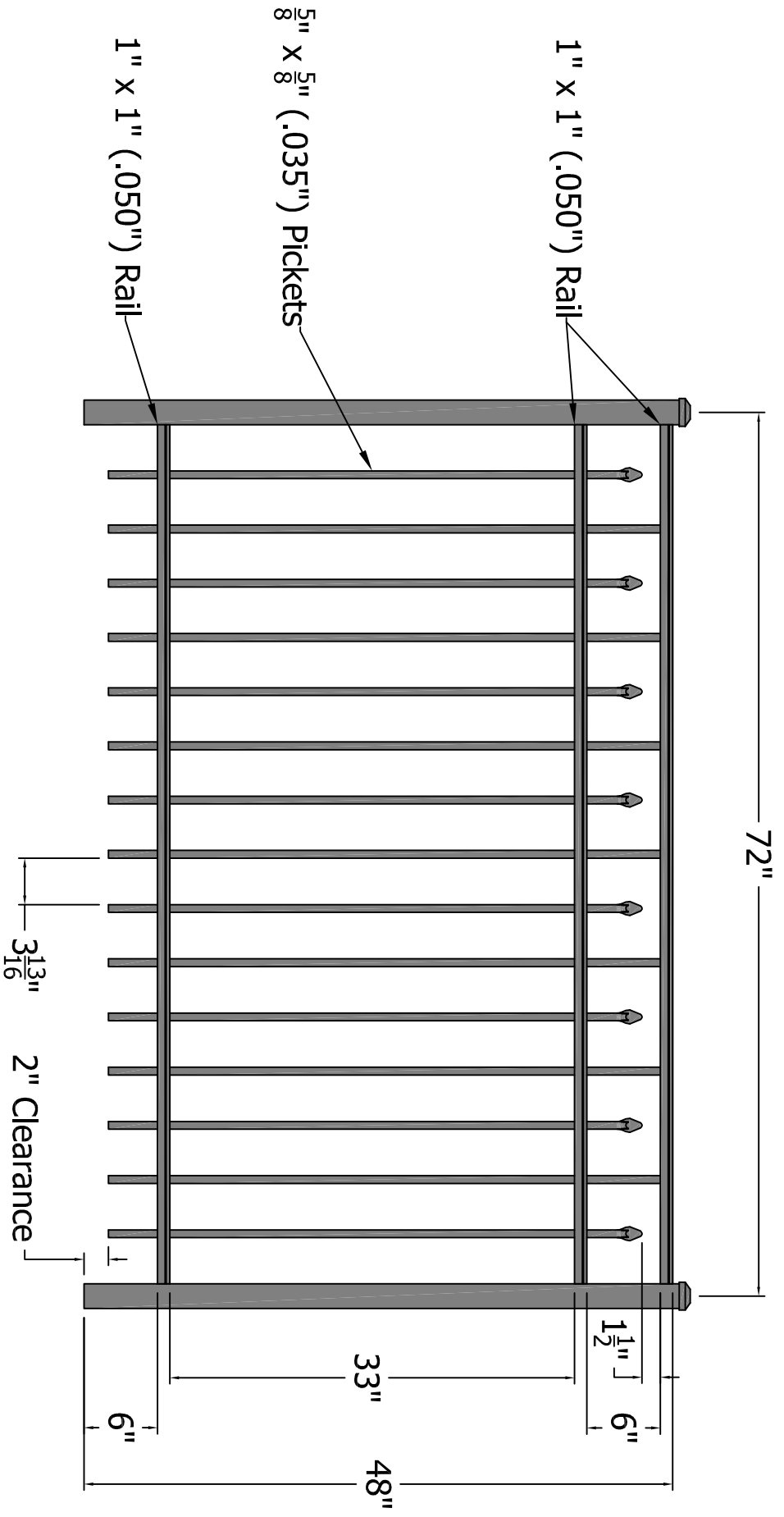


REV.	LOC.	REVISION	DATE
A		RELEASE PENDING APPROVAL	
B		Corrected picket wall to .035"	11-01-2017

PART NUMBER:



Post Size	48" Tall	2" x 2" x 6'6"
-----------	----------	----------------

APPROVED BY:

DATE APPROVED:

FINISH:



3446 US 6 EAST  
Bremen, IN 46506



SHEET SIZE = C	DRAWN BY: CM	PART NUMBER or STYLE:
SCALE = 1"=1"	DATE DRAWN: 02-23-2017	6233

STANDARD TOLERANCE:  
.00 ±.01 FRACTIONS:  
ANG. ±.5" ±.1"

FIRST USED ON:

LOC: Z:\Aluminum\Regis\6000 Series\6000 Series Sections

DRAFT: 20170223-6C

PART NAME: Section

SHEET REV. 4 B

4

3

2

1