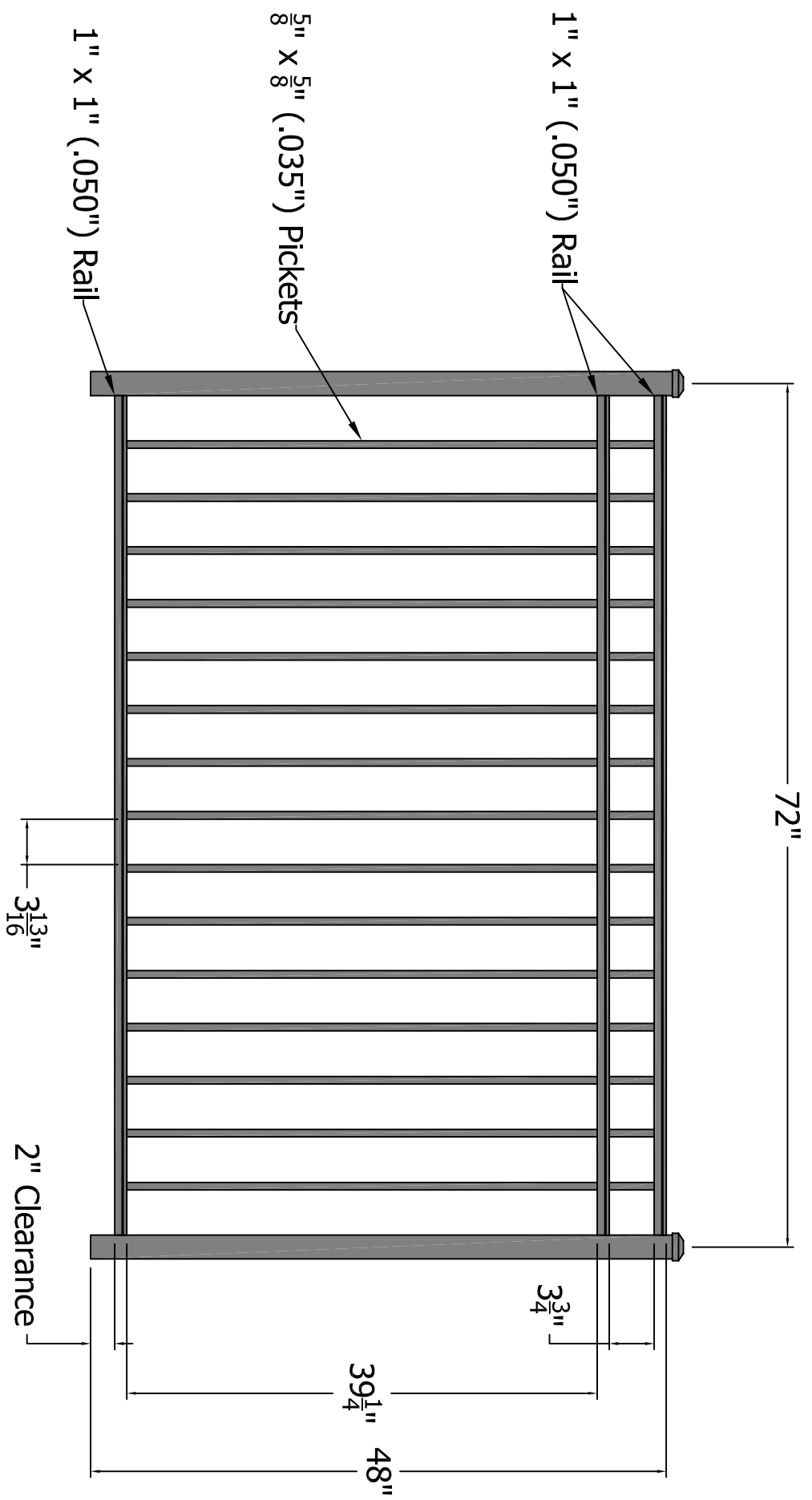


PART NUMBER:

REV.	LOC.	REVISION	DATE
A		RELEASE PENDING APPROVAL	
B		Corrected picket wall to .035"	11-01-2017



Post Size	48" Tall	2" x 2" x 6'6"
-----------	----------	----------------

APPROVED BY:

DATE APPROVED:

FINISH:

DSI / Dlegor Specialties Inc. 3446 US 6 EAST Bremen, IN 46506

SHEET SIZE = C	DRAWN BY: CM	PART NUMBER or STYLE: 6230 FB
SCALE = 1"=1'	DATE DRAWN: 02-23-2017	Quote Requested by:
STANDARD TOLERANCE: .00 ±.01 FRACTIONS: .000 ±.005 ANG. ±.5°	LOC: Z:\Aluminum\Regis\6000 Series\6000 Series Sections	

FIRST USED ON:	DRAFT: 20170223-3C	PART NAME: Section	SHEET OF B
----------------	--------------------	--------------------	------------

4

3

2

1

A

B

C

D