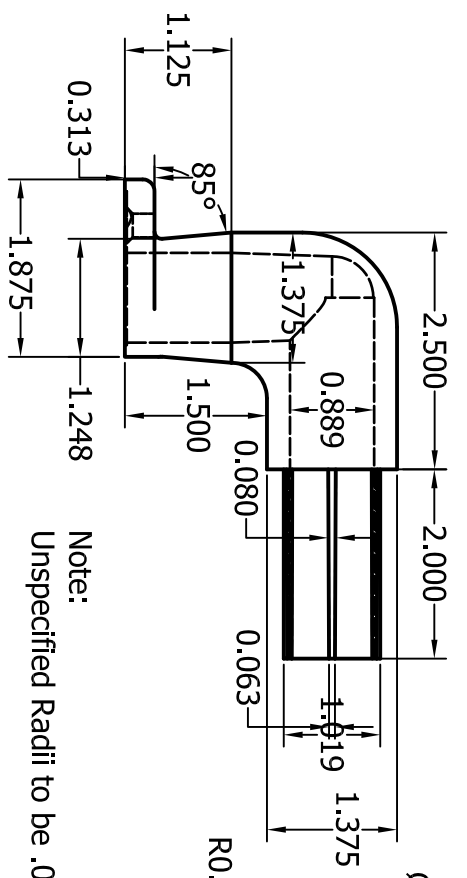
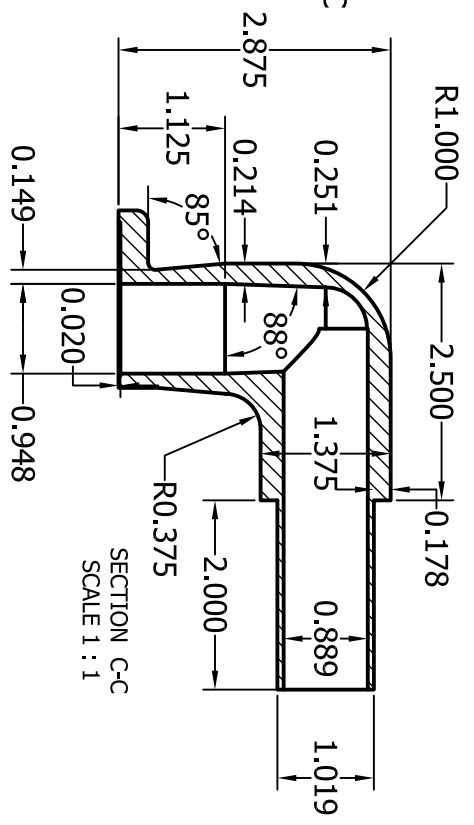
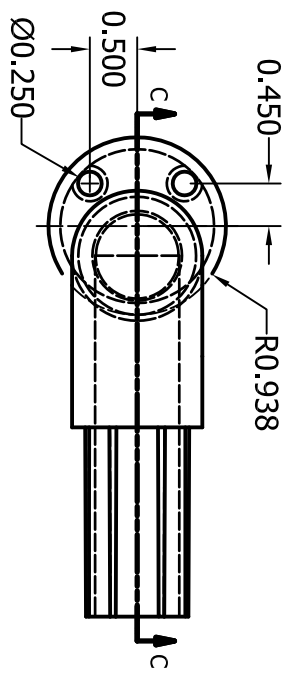
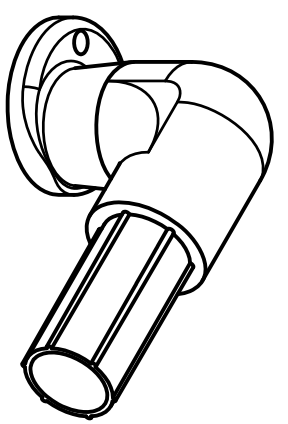
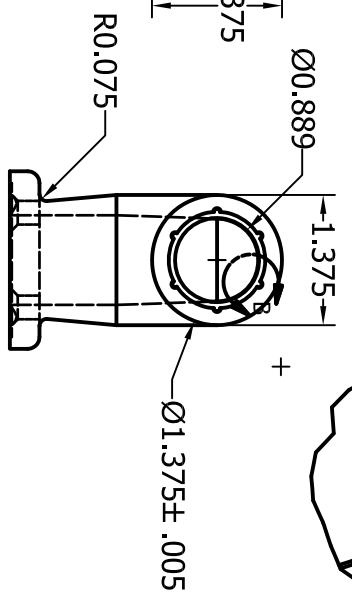
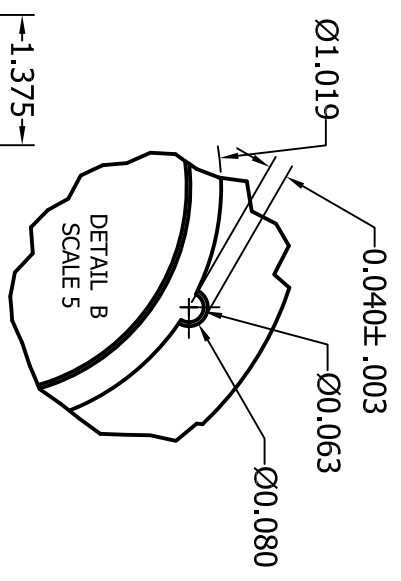


REV.	REVISION	DATE
A	RELEASED TO PRODUCTION	

1 PART NUMBER:



Note:
Unspecified Radii to be .003



SHEET SIZE = C		DRAWN BY: wjm		MATERIAL: Aluminum Cast A360	
SCALE =		DATE DRAWN: 3/18/2009		PART NAME: Wall Return	
STANDARD TOLERANCES: FRACTIONS DECIMALS ANG. ± .5°		APPROVED BY:		PART NUMBER: 55287 wall return	
FINISH:		DATE APPRD:		REV.	
3446 US 6 EAST Bremen, IN 46506		FIRST USED ON:			

4 3 2 1

A B C D