

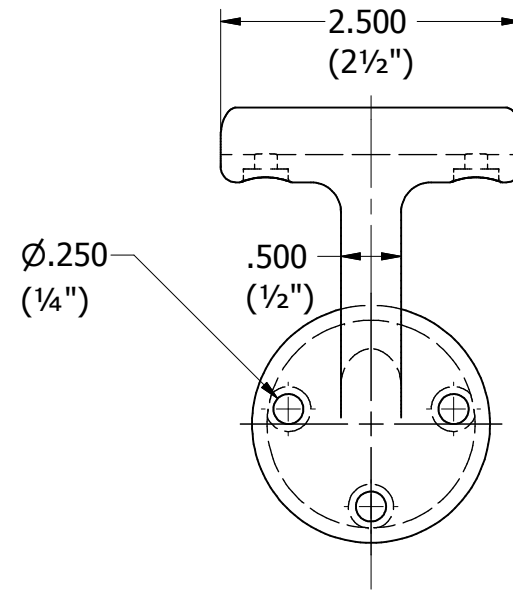
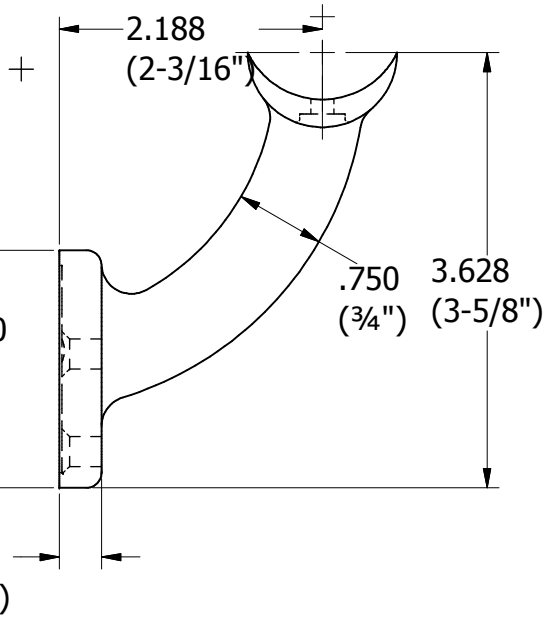
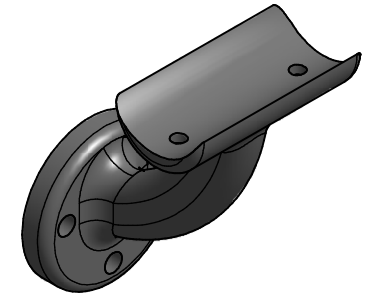
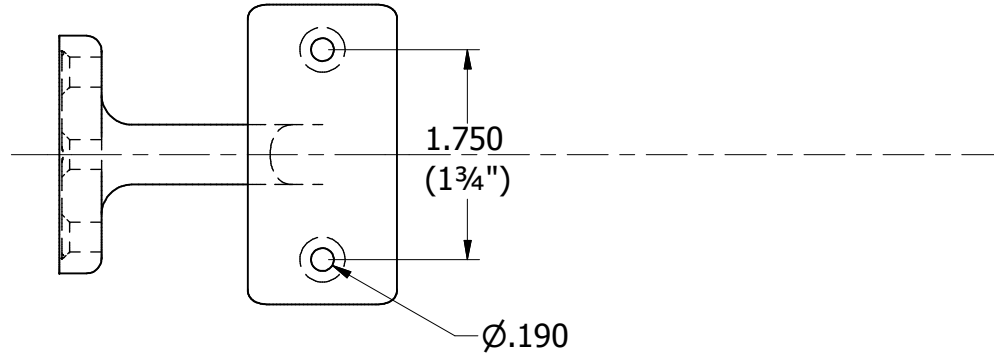
4

3

2

1 PART NUMBER:

REV.	REVISION	DATE
A	RELEASED TO PRODUCTION	



D

D

C

C

B

B

A

A

A


A

4

3

2

1

FINISH:	SHEET SIZE= C	DRAWN BY: fsb	MATERIAL:
	SCALE =	DATE DRAWN:	Zamak 3 (Zinc)
STANDARD TOLERANCE: .00 ±.01 FRACTIONS; .000 ±.005 ±.1° ANG. ±.5°	5/5/2009	APPROVED BY:	PART NAME:
	FIRST USED ON:	DATE APPR'D:	Handrail Wall Mount
 3446 US 6 EAST Bremen, IN 46506			PART NUMBER:
			55289 HR Wall Mount
			REV.