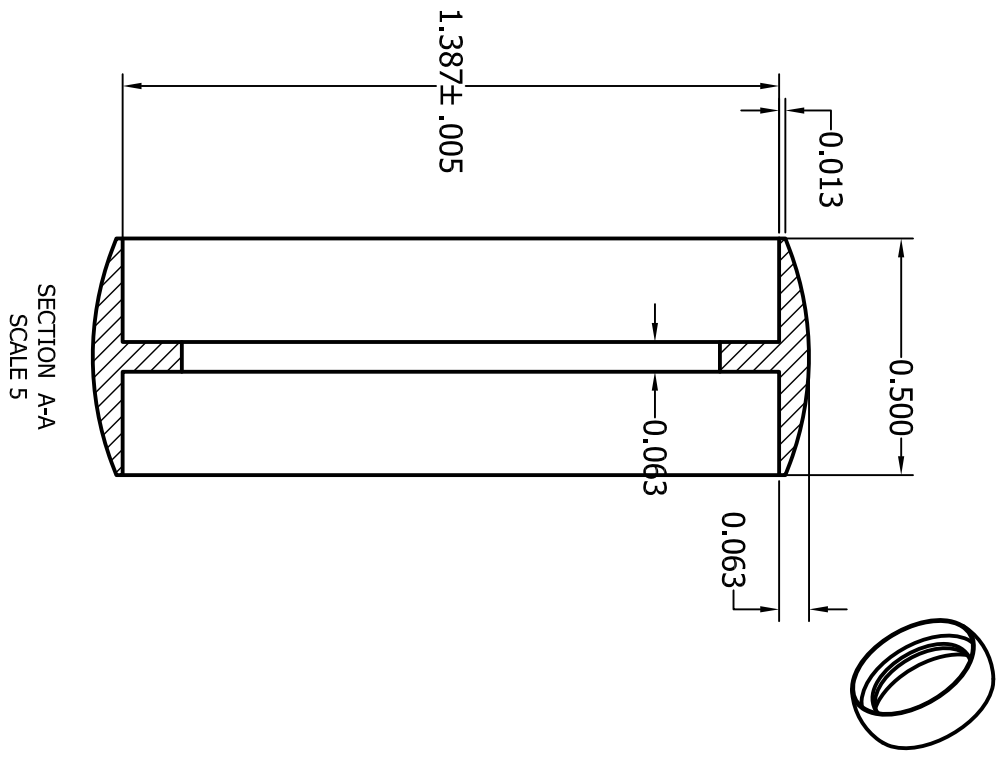
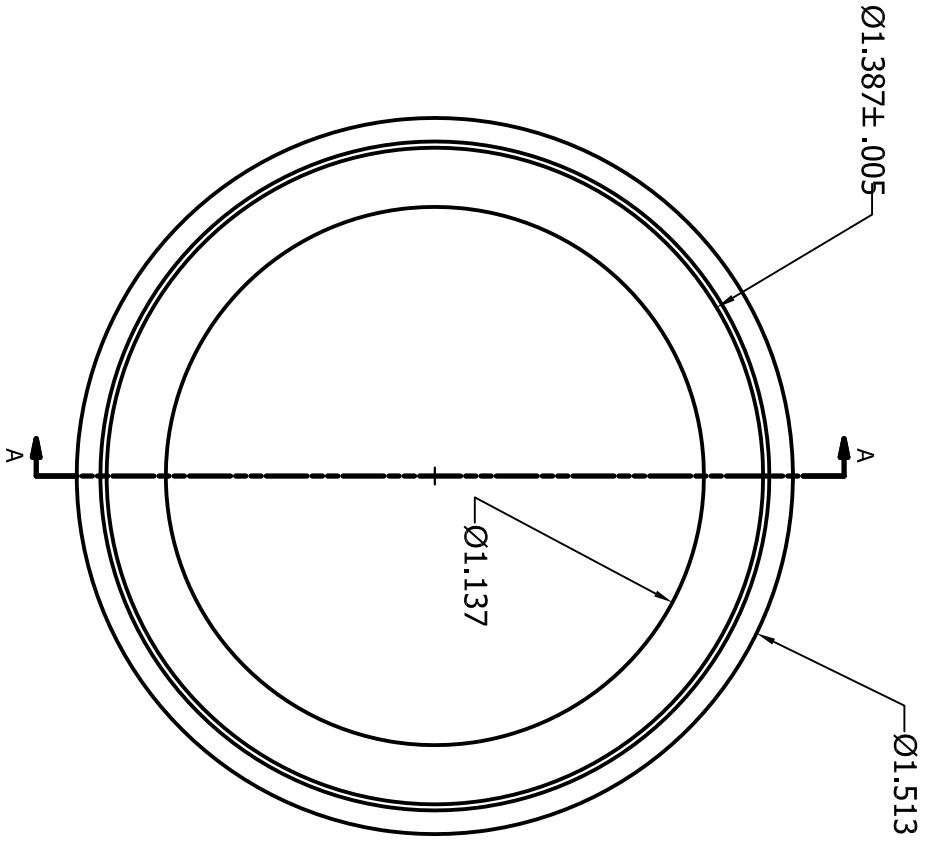


REV.	REVISION	DATE
A	RELEASED TO PRODUCTION	

1 PART NUMBER:



SECTION A-A
SCALE 5

4 3 2 1

SHEET SIZE= C		DRAWN BY: wjm		MATERIAL: Zinc Die Cast	
SCALE =		DATE DRAWN: 3/17/2009		PART NAME: Splice collar	
STANDARD TOLERANCES: FRACTIONS DECIMALS ANG. ±.5°		APPROVED BY:		PART NUMBER: 55285 splice collar	
FINISH:		DATE APPRD:		REV.	
3446 US 6 EAST Bremen, IN 46506					

A B C D