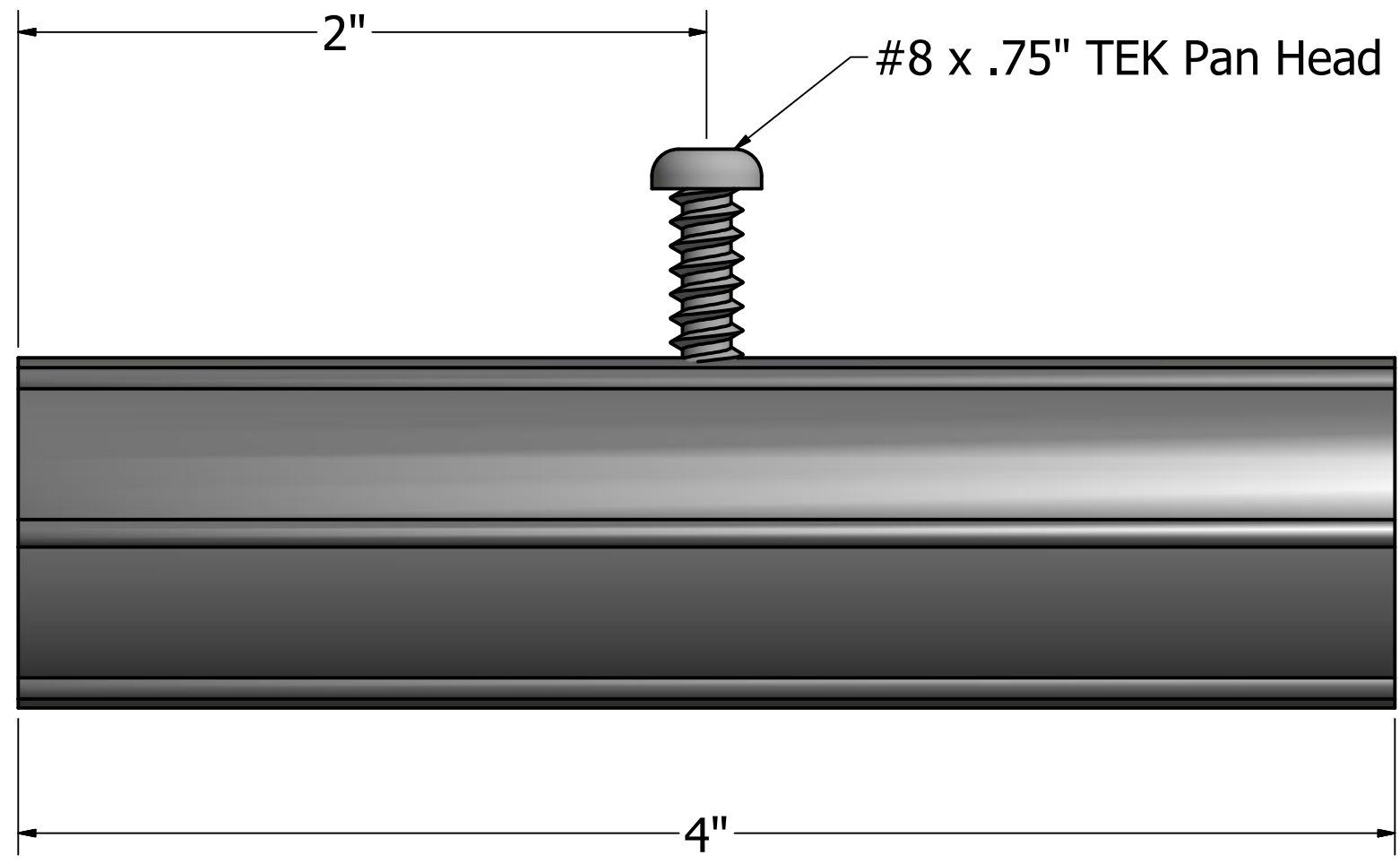
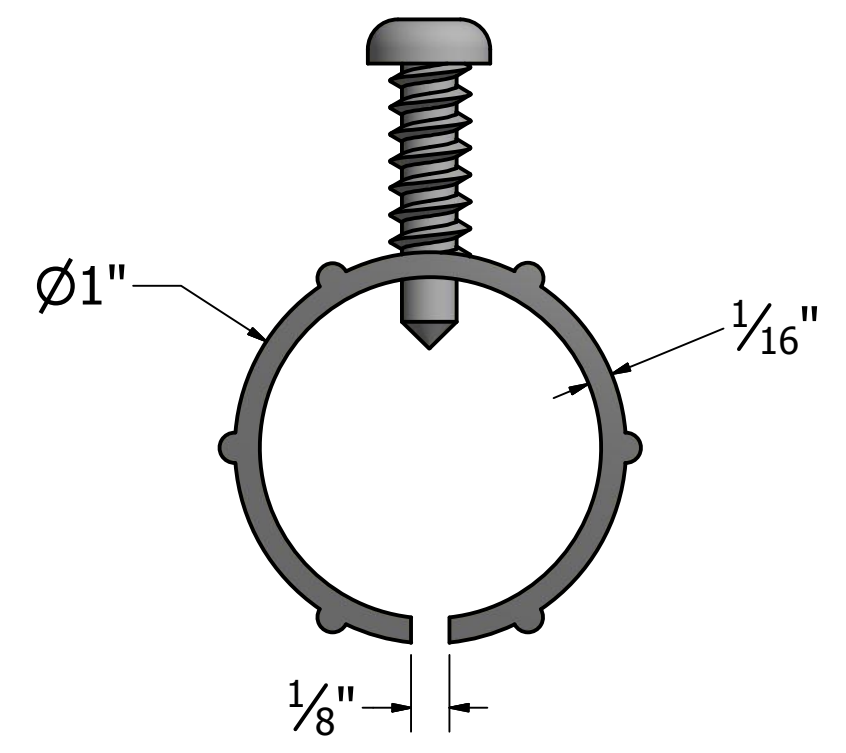
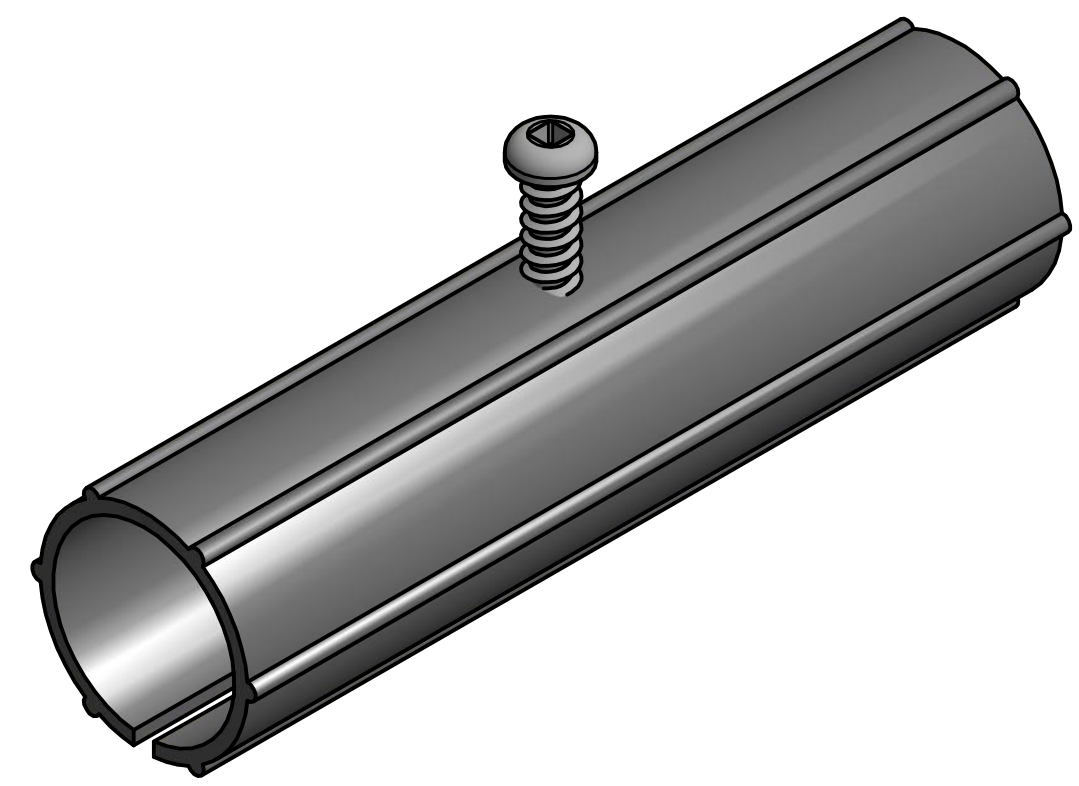



REV.	DESCRIPTION	DATE



 <p>DSI Digger Specialties Inc. 3446 US 6 EAST BREMEN, IN 46506 www.diggerspecialties.com</p>	WEIGHT:	DRAWN BY: CM	MATERIAL:
	STANDARD TOLERANCE: .00 \ .01 .000 \ .005 ANG. \ .5~	DATE DRAWN: 4/27/2016	Aluminum
	FRACTIONS: ± 1/16"	DRAFT NO. 20160427-1C	PART NAME: 72122 Connector 4in. for Handrail.idw
	FILE LOC: Z:\Aluminum\Components\Continuous Handrail\72122 Connector 4in. for Handrail.idw		PART NUMBER: 72122
			REV.