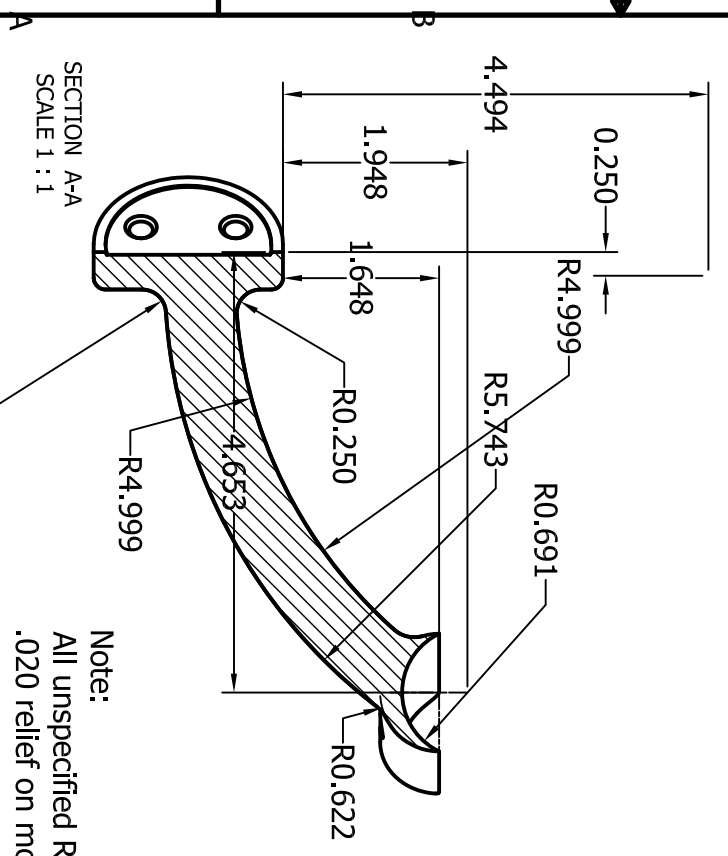
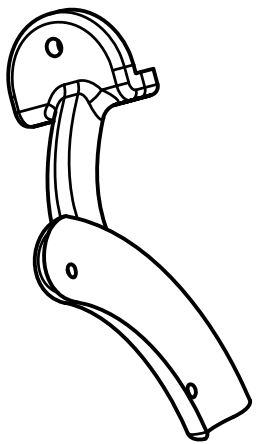
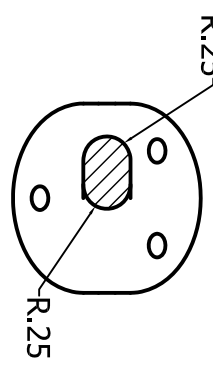
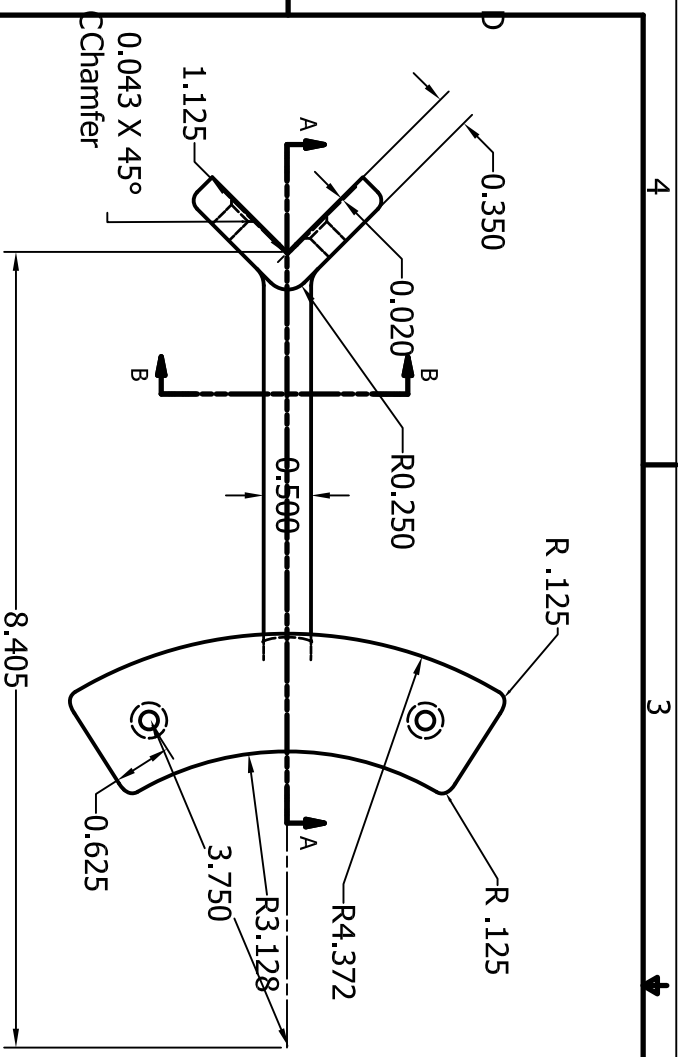
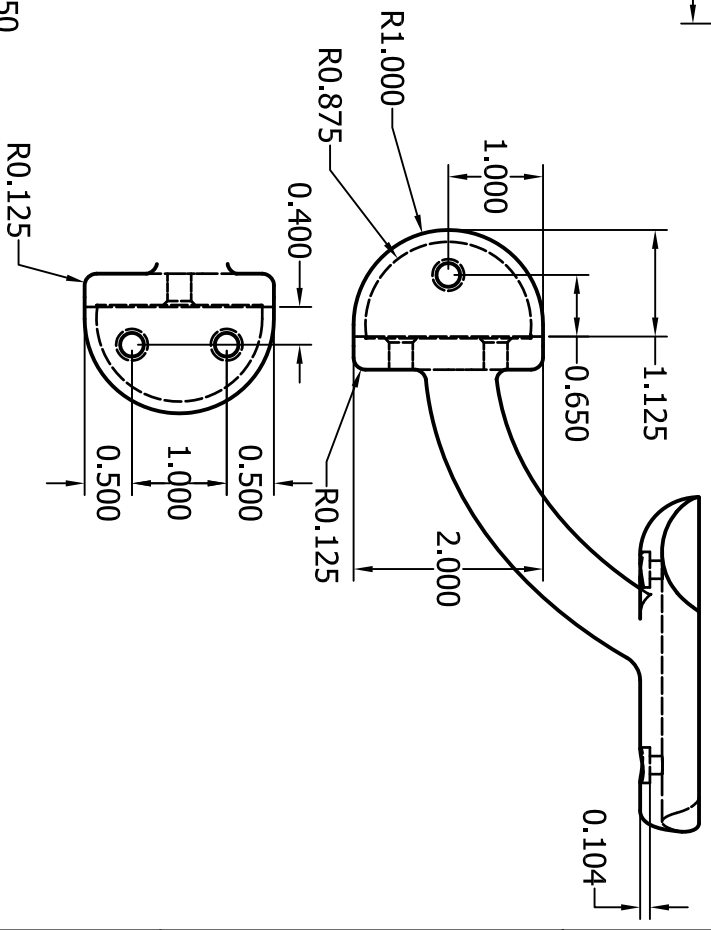


REV.	REVISION	DATE
A	RELEASED TO PRODUCTION	

1 PART NUMBER:



Note:
All unspecified Radii to be .050
.020 relief on mounting plate



SHEET SIZE = C		DRAWN BY: wjm		MATERIAL: Aluminum Cast A360	
SCALE =		DATE DRAWN: 3/17/2009		PART NAME: Corner Bracket	
STANDARD TOLERANCES: Fractions		APPROVED BY:		PART NUMBER: 55288 corner bracket	
100 ±.05		DATE APPRD:		REV.	
ANG. ±.5°					
FIRST USED ON:					
3446 US 6 EAST Bremen, IN 46506					

SECTION A-A
SCALE 1:1

2

1