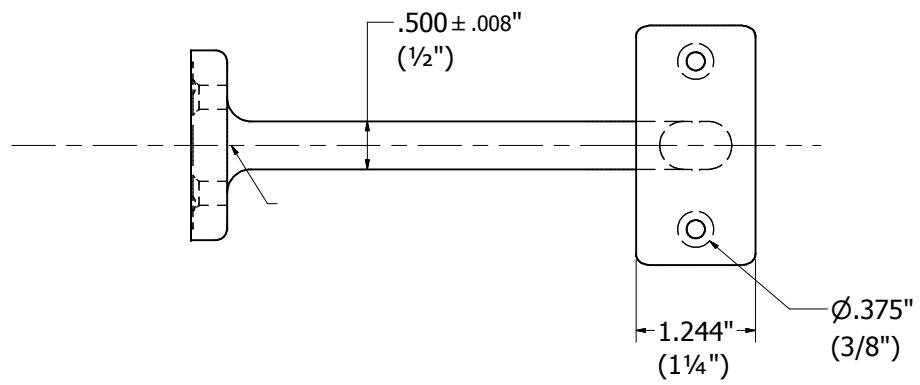
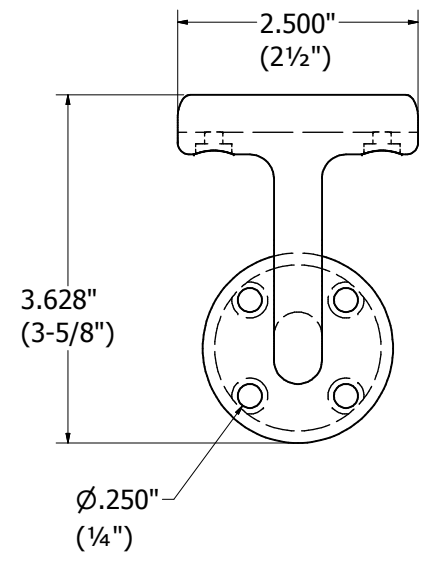
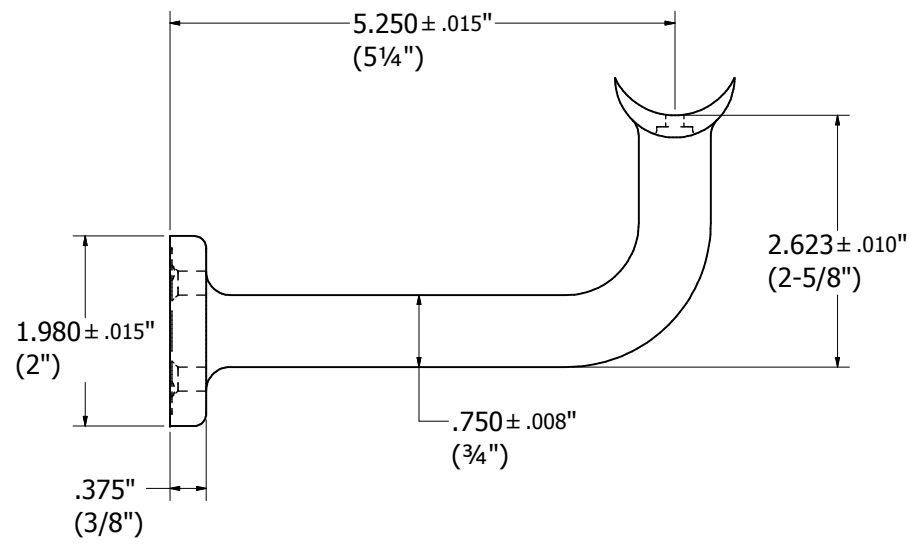
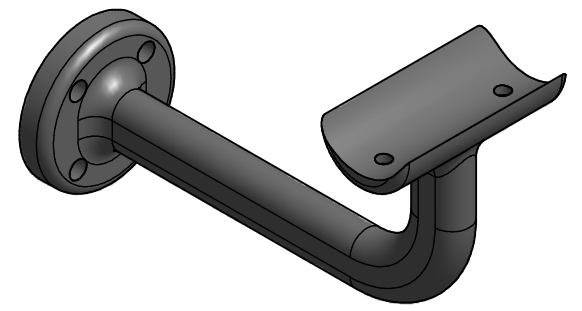



REV.	DESCRIPTION	DATE



sym.



 <p><b>DSI Digger Specialties Inc.</b> 3446 US 6 EAST BREMEN, IN 46506 www.diggerspecialties.com</p>	WEIGHT: .895 lb/pcs	DRAWN BY: fsb	MATERIAL:	
	STANDARD TOLERANCE: .00 .01 .000 .005 ANG. .5~	DATE DRAWN: 9/19/2013	Zamak 3 (Zinc)	
	FRACTIONS: $\pm \frac{1}{16}''$	DRAFT NO. 20130919-4F	PART NAME:	
	FILE LOC: Z:\Aluminum\Continuous Handrail\Zinc\55934 HR 5.25 Wall Mount.idw		55934 HR 5.25 Wall Mount.idw	REV.
			PART NUMBER: 55934	