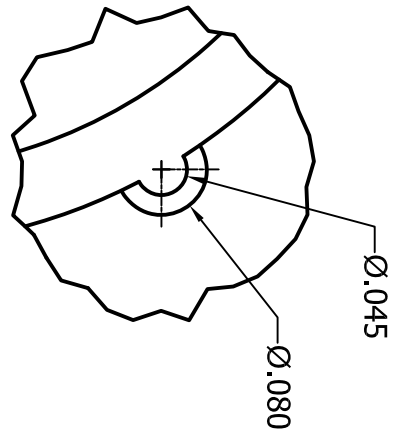
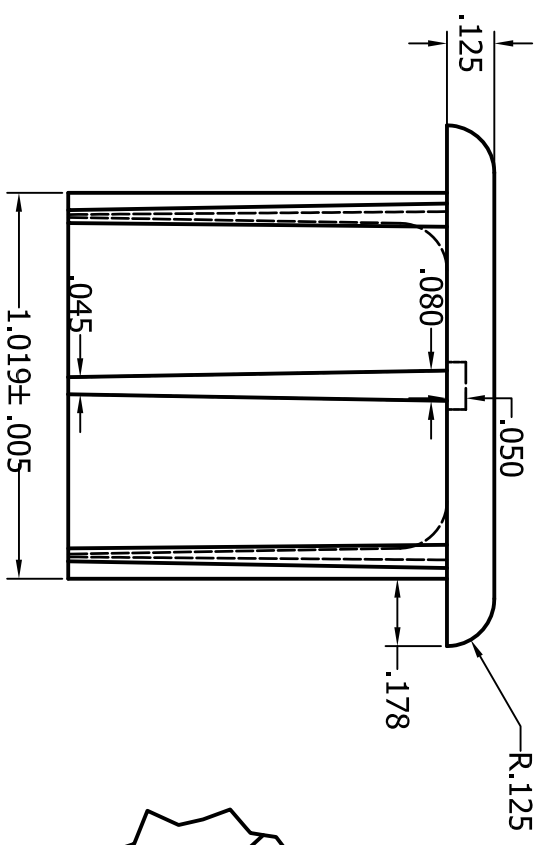
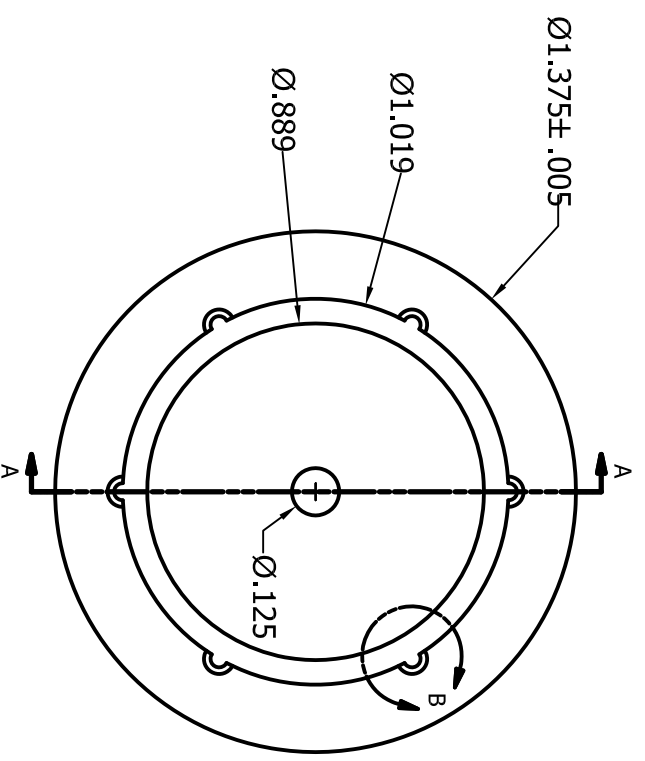
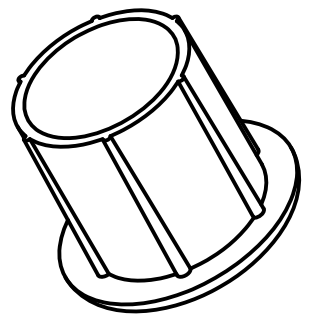


REV.	REVISION	DATE
A	RELEASED TO PRODUCTION	

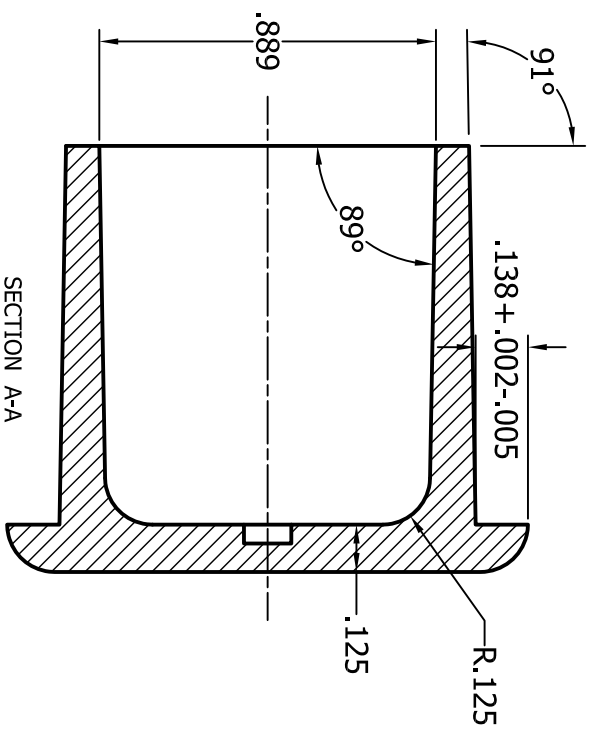
1 PART NUMBER:



DETAIL B
SCALE 12



SECTION A-A
SCALE 4



4 3 2 1

SHEET SIZE = C		DRAWN BY: wjm		MATERIAL: Aluminum Die Cast A360	
SCALE =		DATE DRAWN: 3/17/2009		PART NAME: End Plug B	
STANDARD TOLERANCES: FRACTIONS DECIMALS ANG. ±.5°		APPROVED BY:		PART NUMBER: 55286 end plug B	
FINISH:		FIRST USED ON: 3446 US 6 EAST Bremen, IN 46506		REV.	