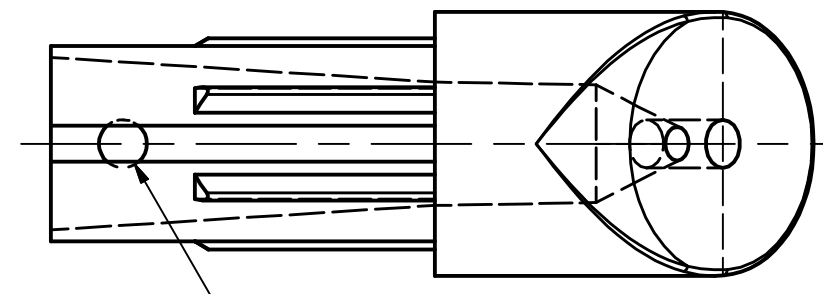
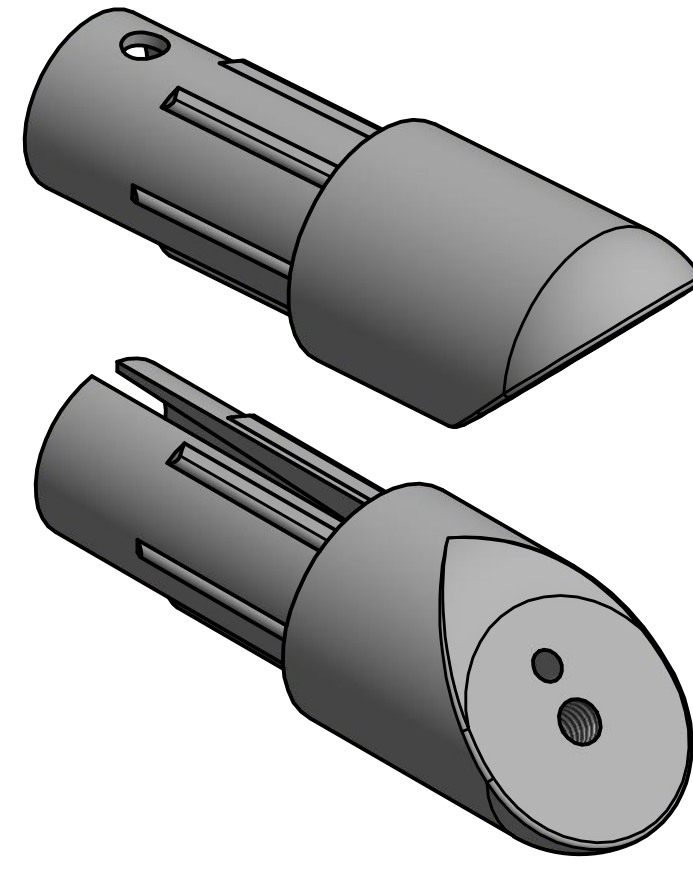
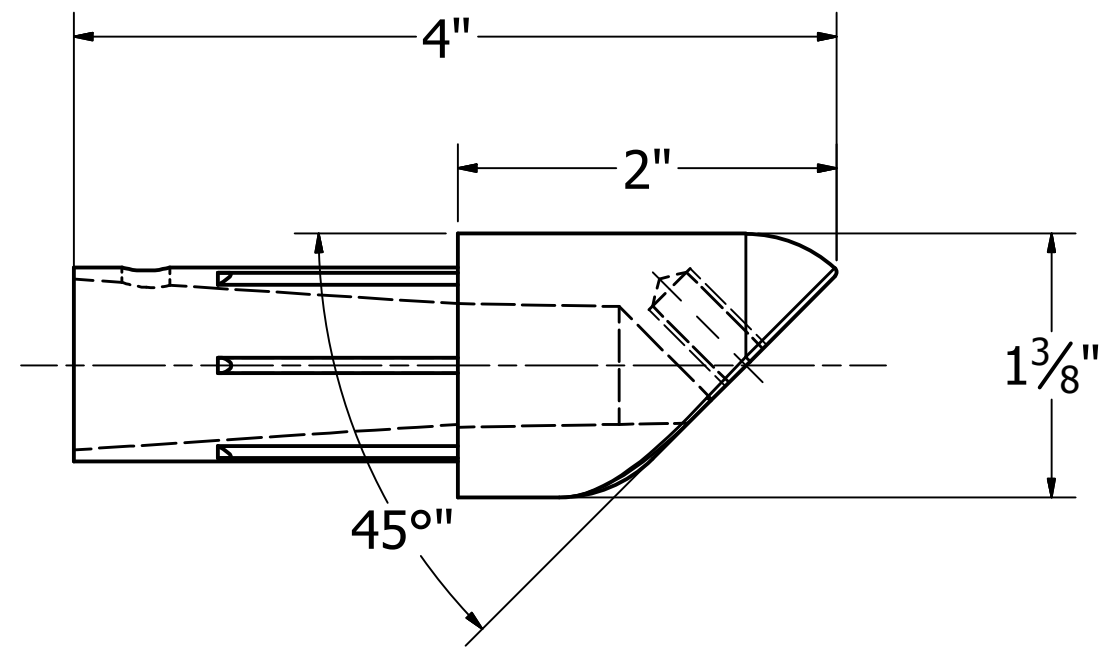


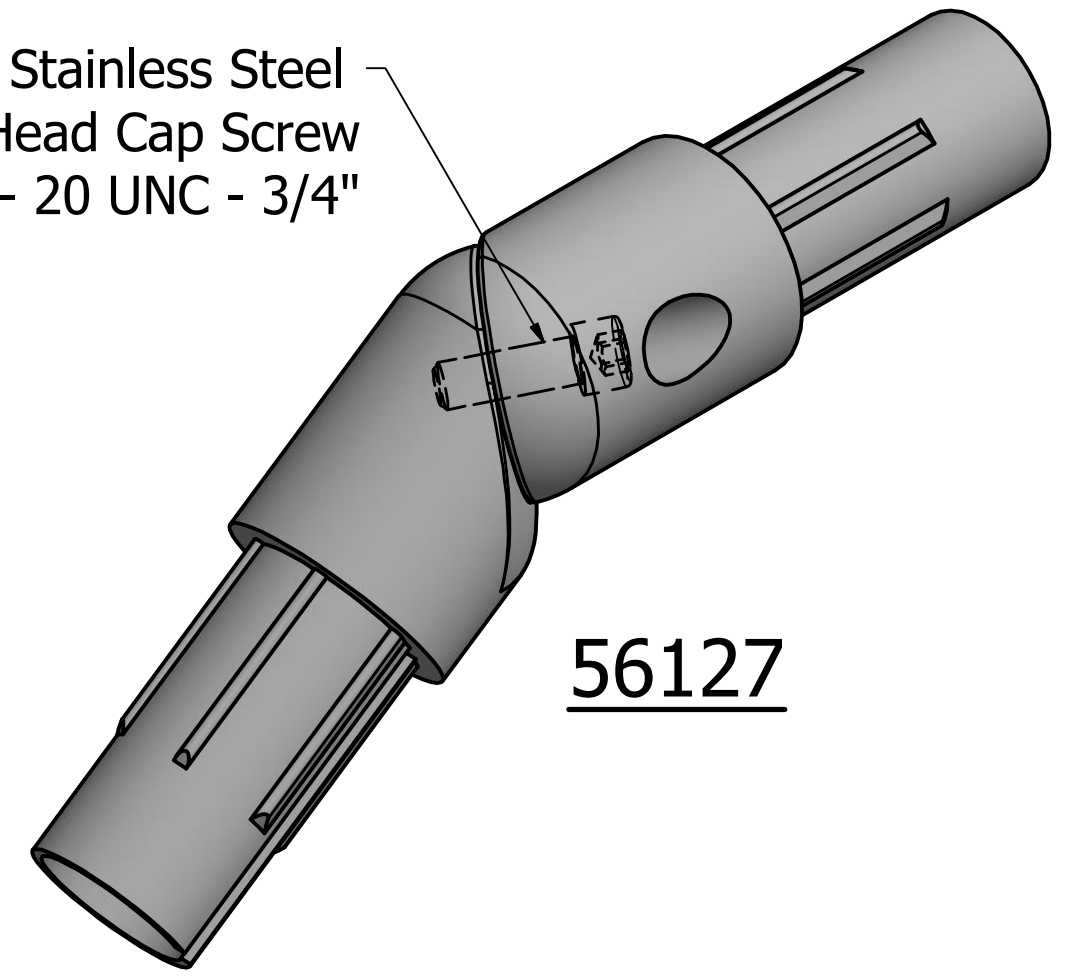
REV.	DESCRIPTION	DATE
A	Shortened contact ribs; reduced thru hole.	12/13/2016



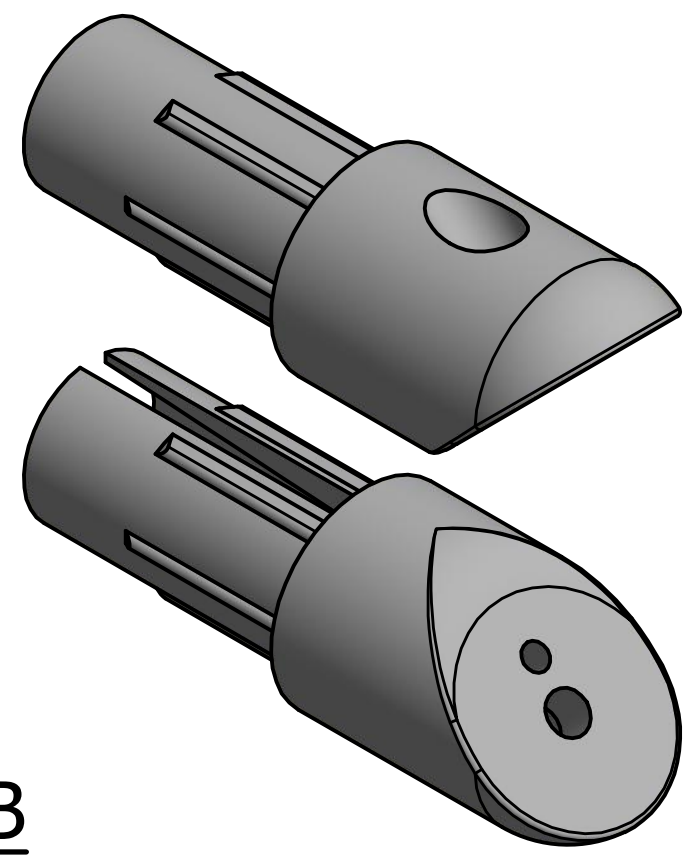
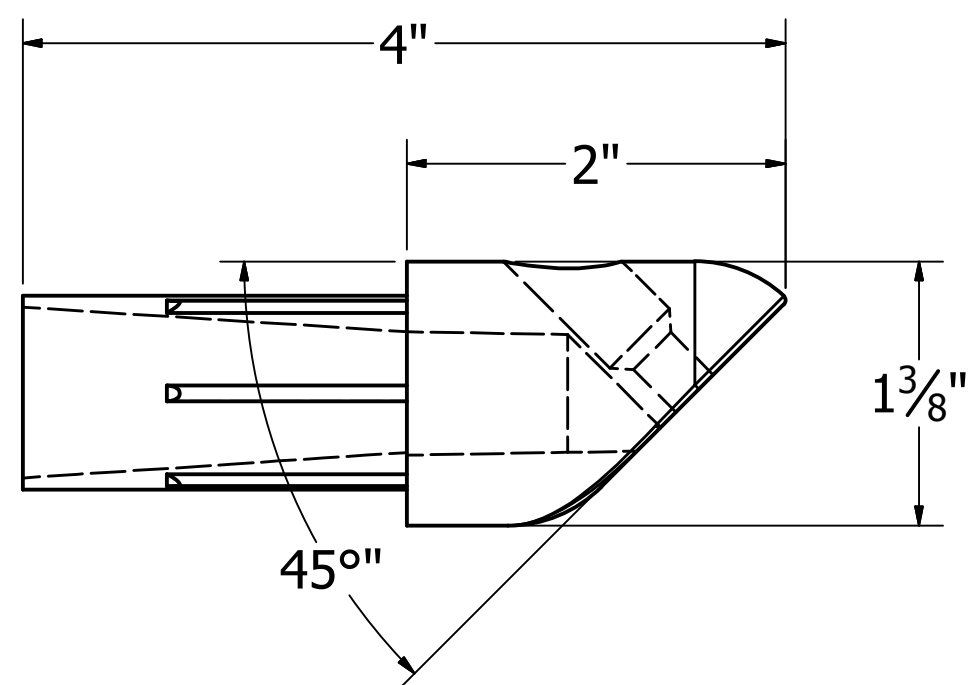
1/4" Hang Hole

**56127-A**

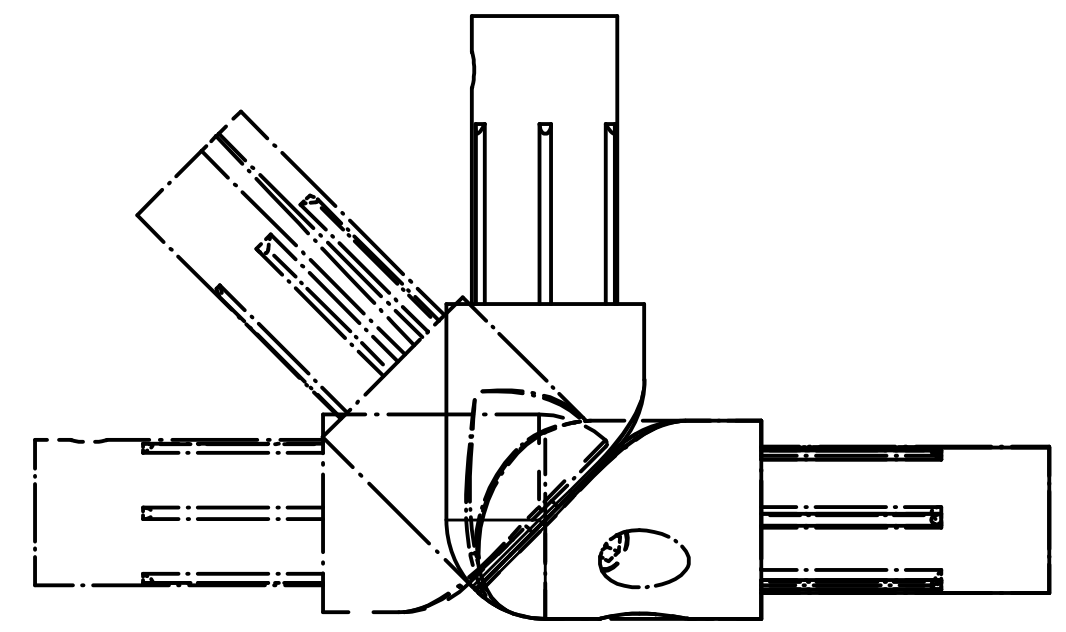
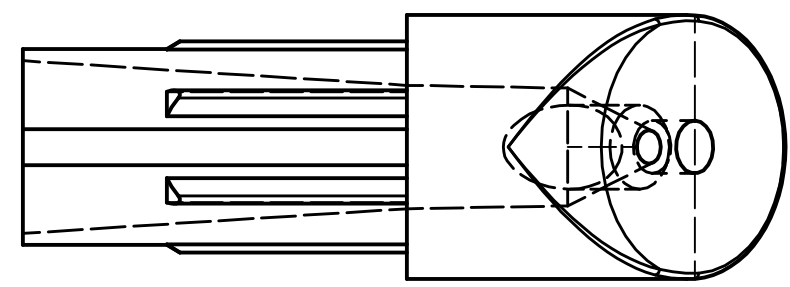
Stainless Steel  
Hex Socket Head Cap Screw  
1/4" - 20 UNC - 3/4"




**56127**



**56127-B**  
Identical to 56127-A except  
no 1/4" hang hole.



Angle Range: 90°-180°

 <b>DSI Digger Specialties Inc.</b> 3446 US 6 EAST BREMEN, IN 46506 www.diggerspecialties.com	WEIGHT: 1.175 lbs./ea	DRAWN BY: FSB	MATERIAL: Zamak 3 (Zinc)
	STANDARD TOLERANCE: .00 \ .01 .000 \ .005 ANG. \ .5~	DATE DRAWN: 9/12/2016	PART NAME: 56127 CHR Adjustable Elbow.idw
	FRACTIONS: ± 1/16"	DRAFT NO. 20160912-4W	PART NUMBER: 56127
	FILE LOC: Z:\Aluminum\Components\Continuous Handrail\Zinc\56127 CHR Adjustable Elbow.idw		REV. A