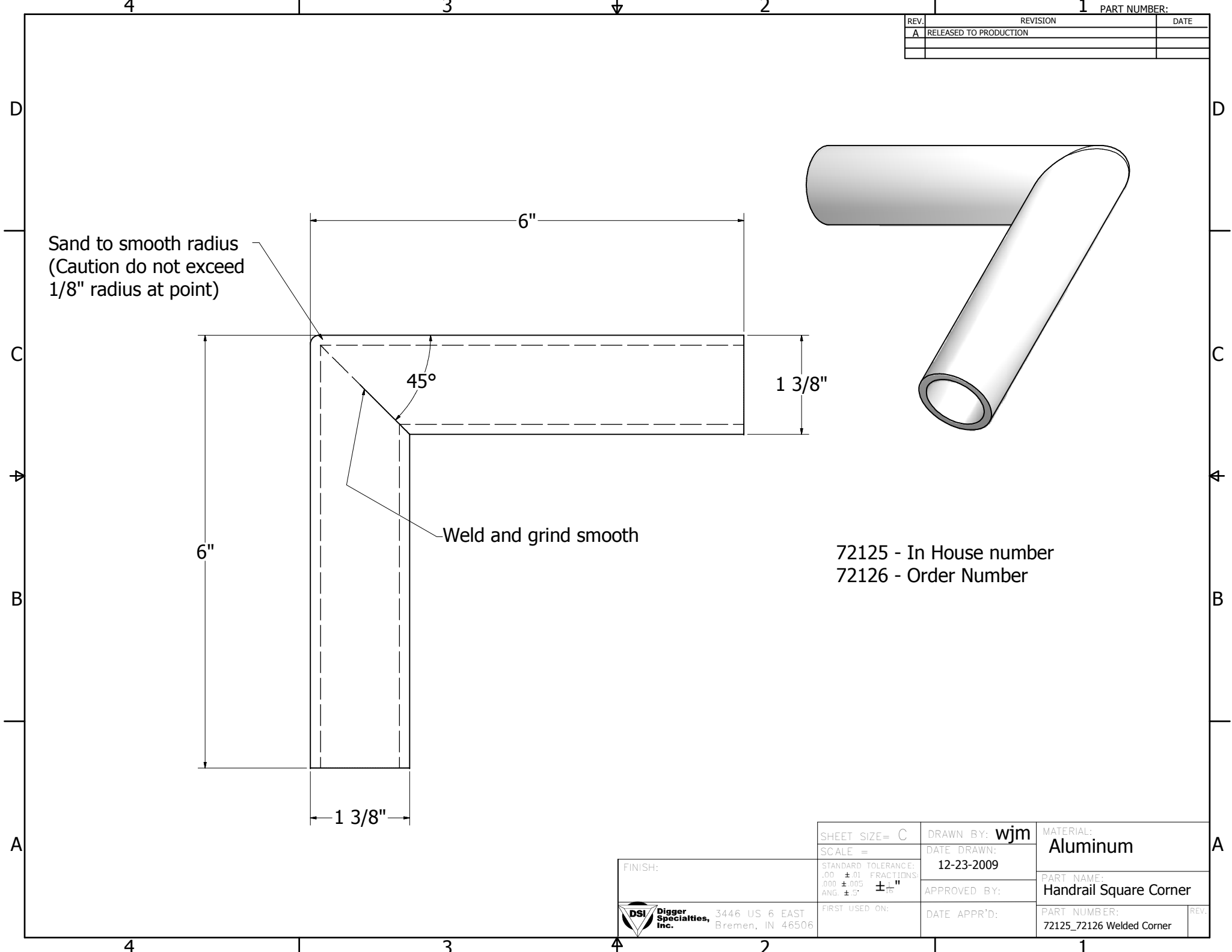


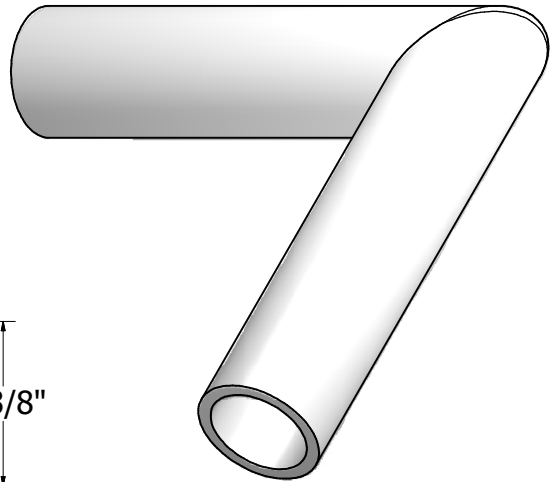
REV.	REVISION	1	PART NUMBER:
A	RELEASED TO PRODUCTION		DATE



Sand to smooth radius  
(Caution do not exceed  
1/8" radius at point)

45°

Weld and grind smooth



72125 - In House number  
72126 - Order Number

SHEET SIZE = C	DRAWN BY: <b>wjm</b>	MATERIAL: <b>Aluminum</b>
SCALE =	DATE DRAWN: <b>12-23-2009</b>	PART NAME: <b>Handrail Square Corner</b>
STANDARD TOLERANCE: .00 ± .01 FRACTIONS: .000 ± .005 ± .125" ANG ± .5°	APPROVED BY:	PART NUMBER: <b>72125_72126 Welded Corner</b>
FINISH:	FIRST USED ON:	DATE APPR'D:

**DSI** Digger  
Specialties,  
Inc. 3446 US 6 EAST  
Bremen, IN 46506