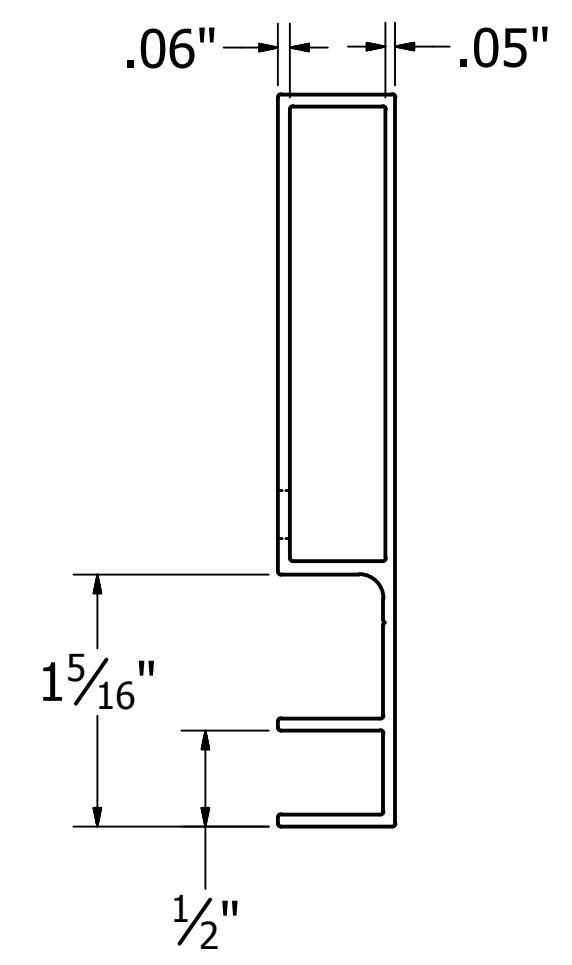
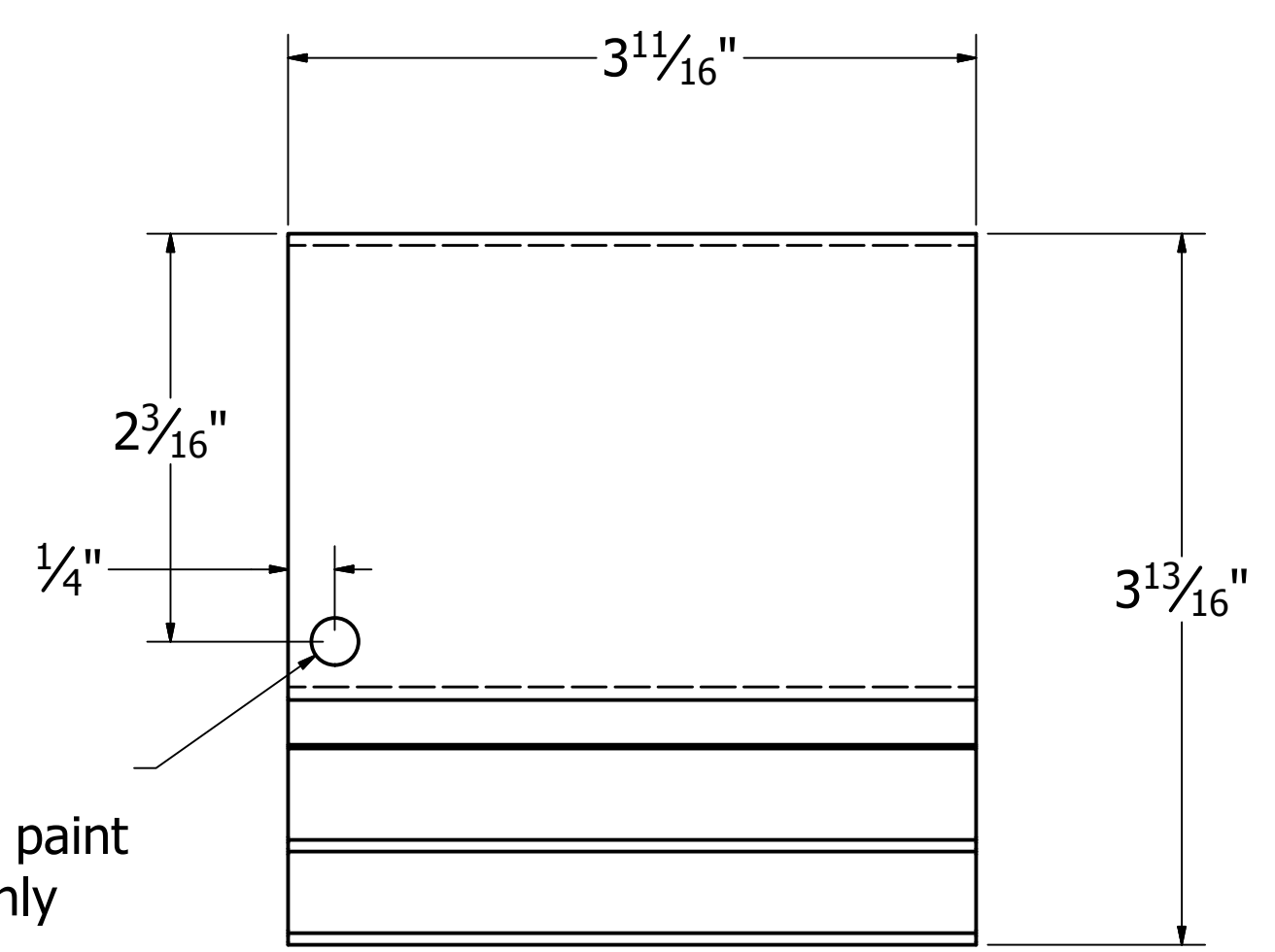
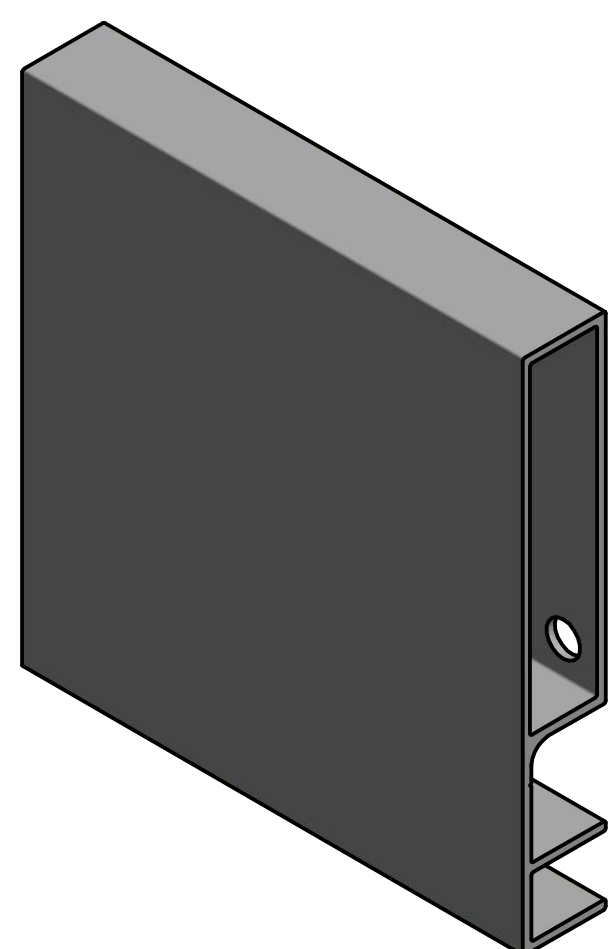
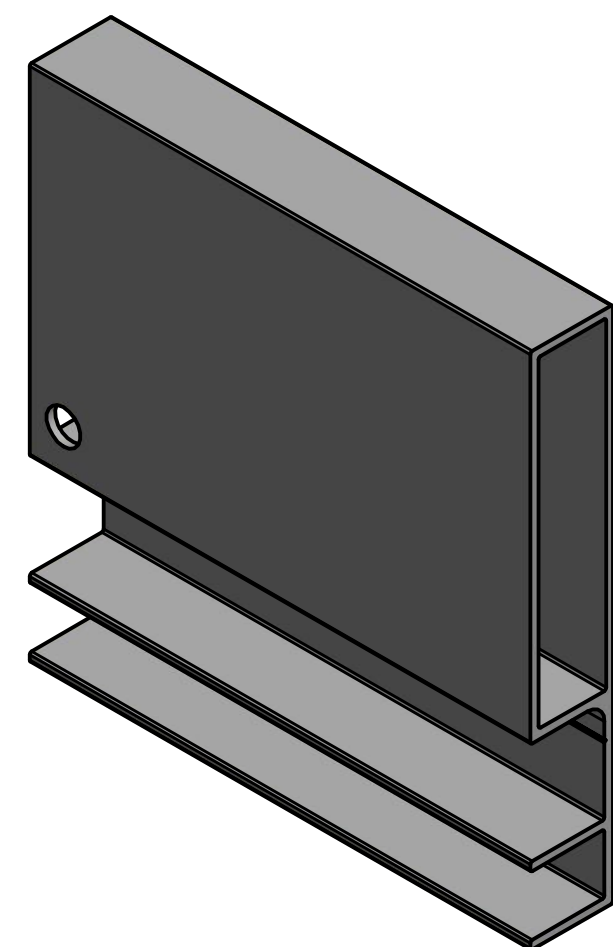


REV.	DESCRIPTION	DATE



$\varnothing\frac{1}{4}''$
 Hang hole for paint
 this side only


DSI Digger Specialties Inc.
 3446 US 6 EAST
 BREMEN, IN 46506
www.diggerspecialties.com

WEIGHT: **.180 lbs**
 STANDARD TOLERANCE:
 .00 \ .01
 .000 \ .005
 ANG. \ .5~
 FRACTIONS: $\pm \frac{1}{16}''$
 FILE LOC: Z:\Aluminum\DSI Columns\Sq. Recessed Columns\8 Inch\53426 Block for 8in Sq Recessed Columns.idw

DRAWN BY: **CM**
 DATE DRAWN:
1/13/2016
 DRAFT NO.
20160113-2C

MATERIAL:
Aluminum 6063-T6
 PART NAME:
53426 Block for 8in Sq Recessed Columns.idw
 PART NUMBER:
53426
 REV.