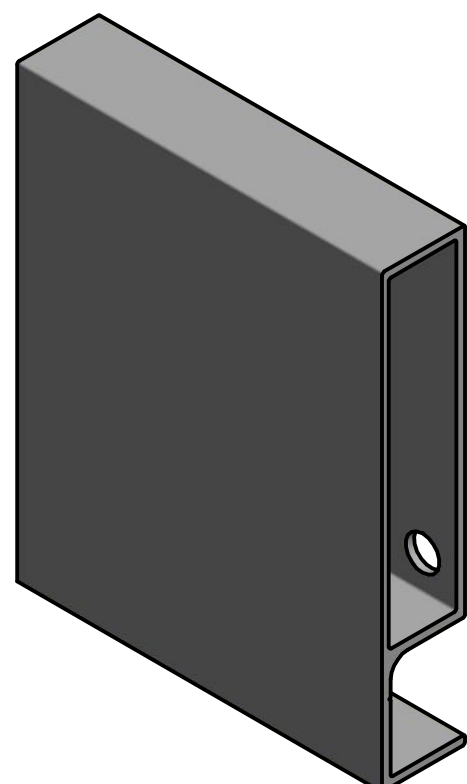
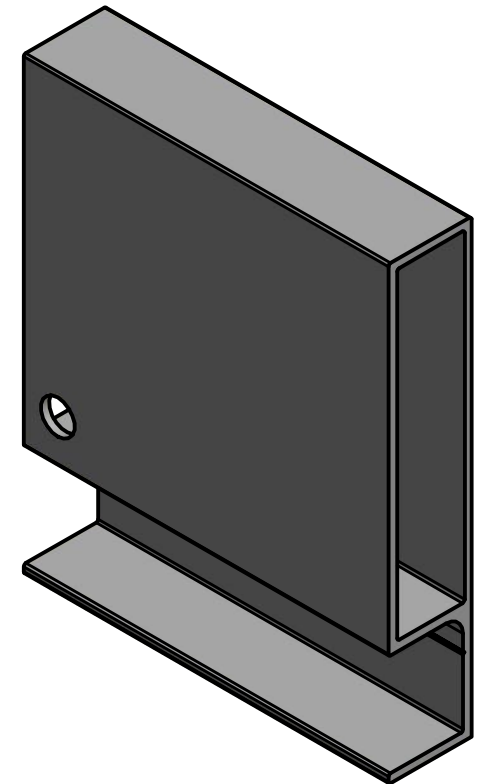
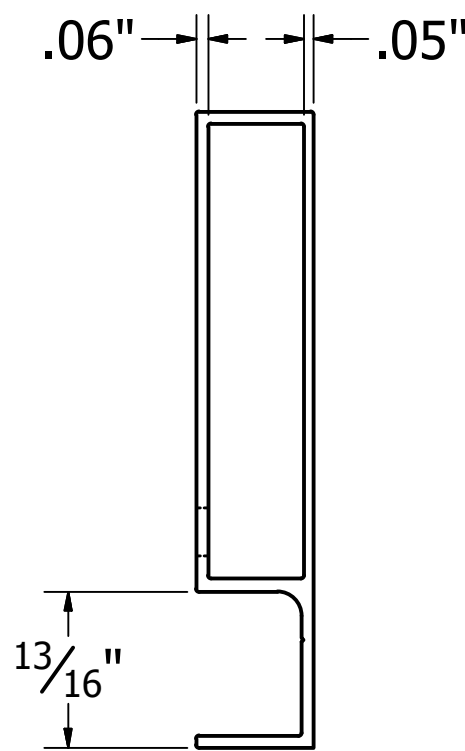
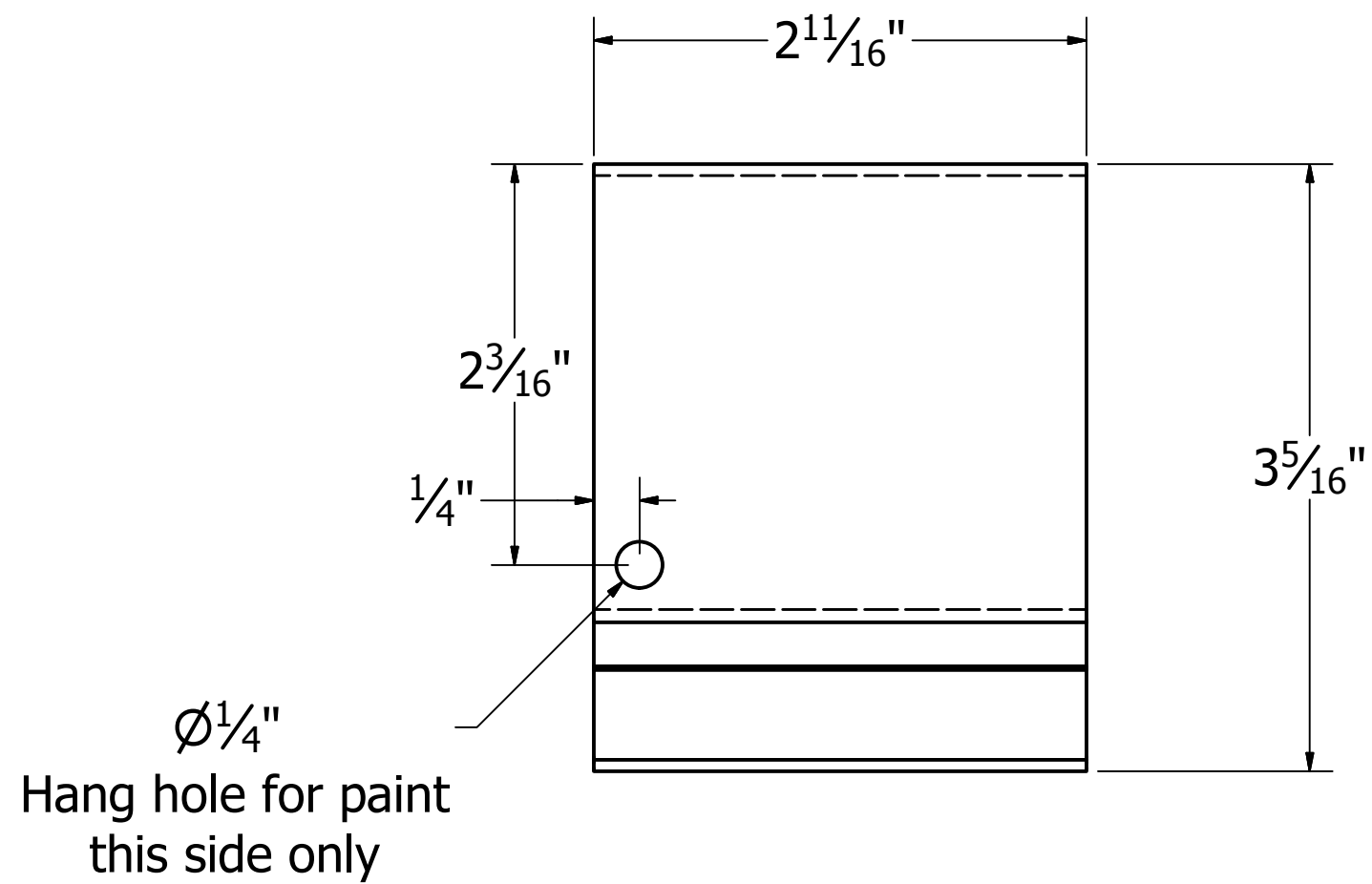
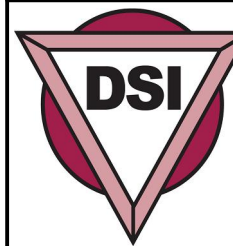


REV.	DESCRIPTION	DATE

D
C
B
A

D
C
B
A



 DSI Digger Specialties Inc. 3446 US 6 EAST BREMEN, IN 46506 www.diggerspecialties.com	WEIGHT: .114 lbs	DRAWN BY: CM	MATERIAL:	
	STANDARD TOLERANCE: .00 \ .01 .000 \ .005 ANG. \ .5~	DATE DRAWN: 1/13/2016	Aluminum 6063-T6	
	FRACTIONS: $\pm \frac{1}{16}$ "	DRAFT NO. 20160113-1C	PART NAME: 53425 Block for 6in Sq Recessed Columns.idw	
	FILE LOC: Z:\Aluminum\DSI Columns\Sq. Recessed Columns\6 Inch\53425 Block for 6in Sq Recessed Columns.idw	PART NUMBER: 53425	REV.	

4 3 2 1