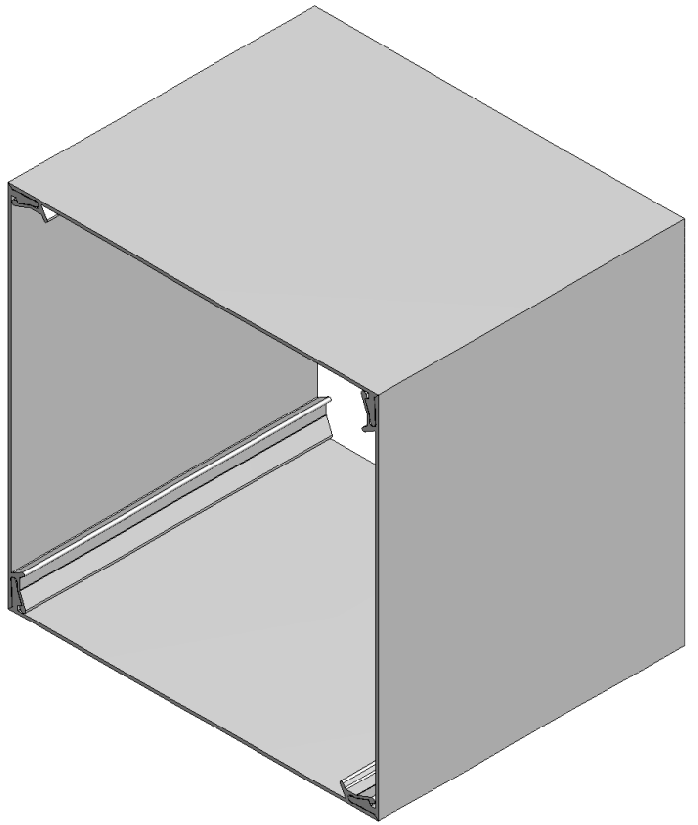
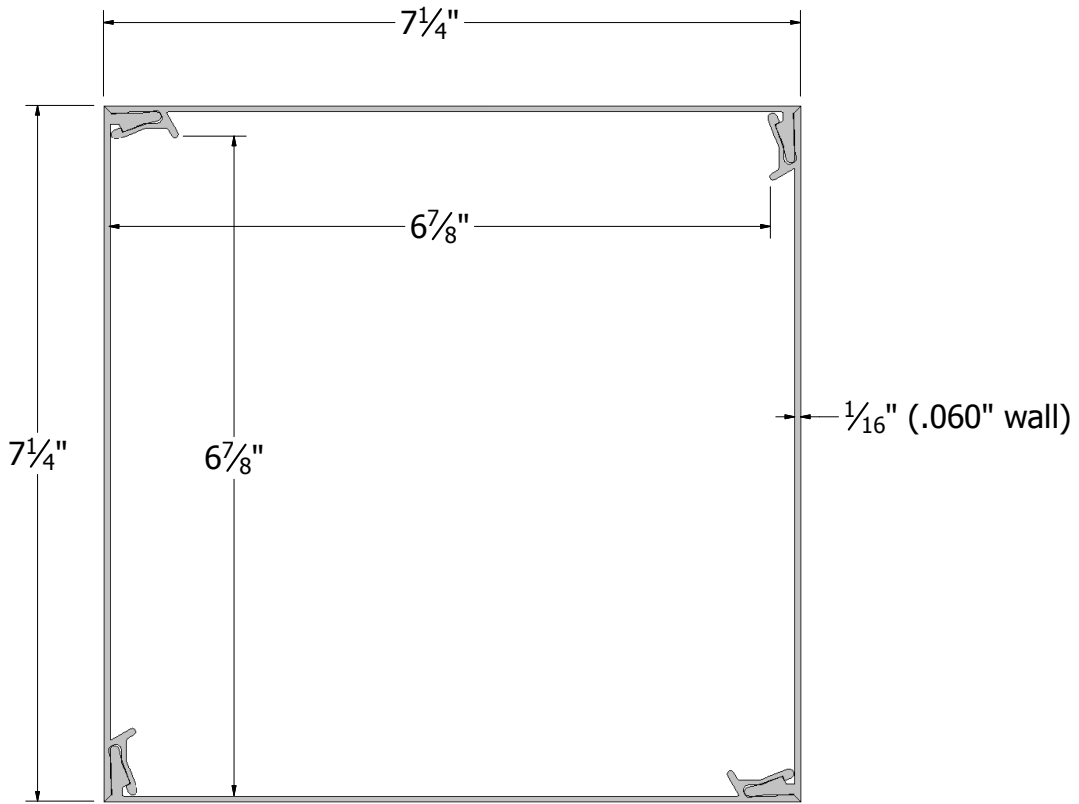



| REV. | REVISION | DATE |
|------|----------|------|
| | | |
| | | |
| | | |



| | | | | |
|--|---|--------------------------|---|------|
|  <p>DSI Digger Specialties Inc.</p> <p>3446 US 6 EAST BREMEN, IN 46506 www.diggerspecialties.com</p> | WEIGHT: 2.668 lb/ft | DRAWN BY: FSB | MATERIAL: | |
| | STANDARD TOLERANCE: .00 ~ .01 .000 ~ .005 ANG. ~ .5~ | DATE DRAWN: 2/21/2012 | Aluminum | |
| | FRACTIONS: ± 1/16" | DRAFT NO. 20120201-1 | PART NAME: 8" Alum Column SQ. Smooth | |
| | FILE LOC: Z:\Aluminum\DSI Columns\Sq. Plain Columns\8 Inch\8in. Alum Column SQ.Smooth.idw | | PART NUMBER: W/2 Base 53173 - 53175 No Base 53076 - 53078 | REV. |