

4

3

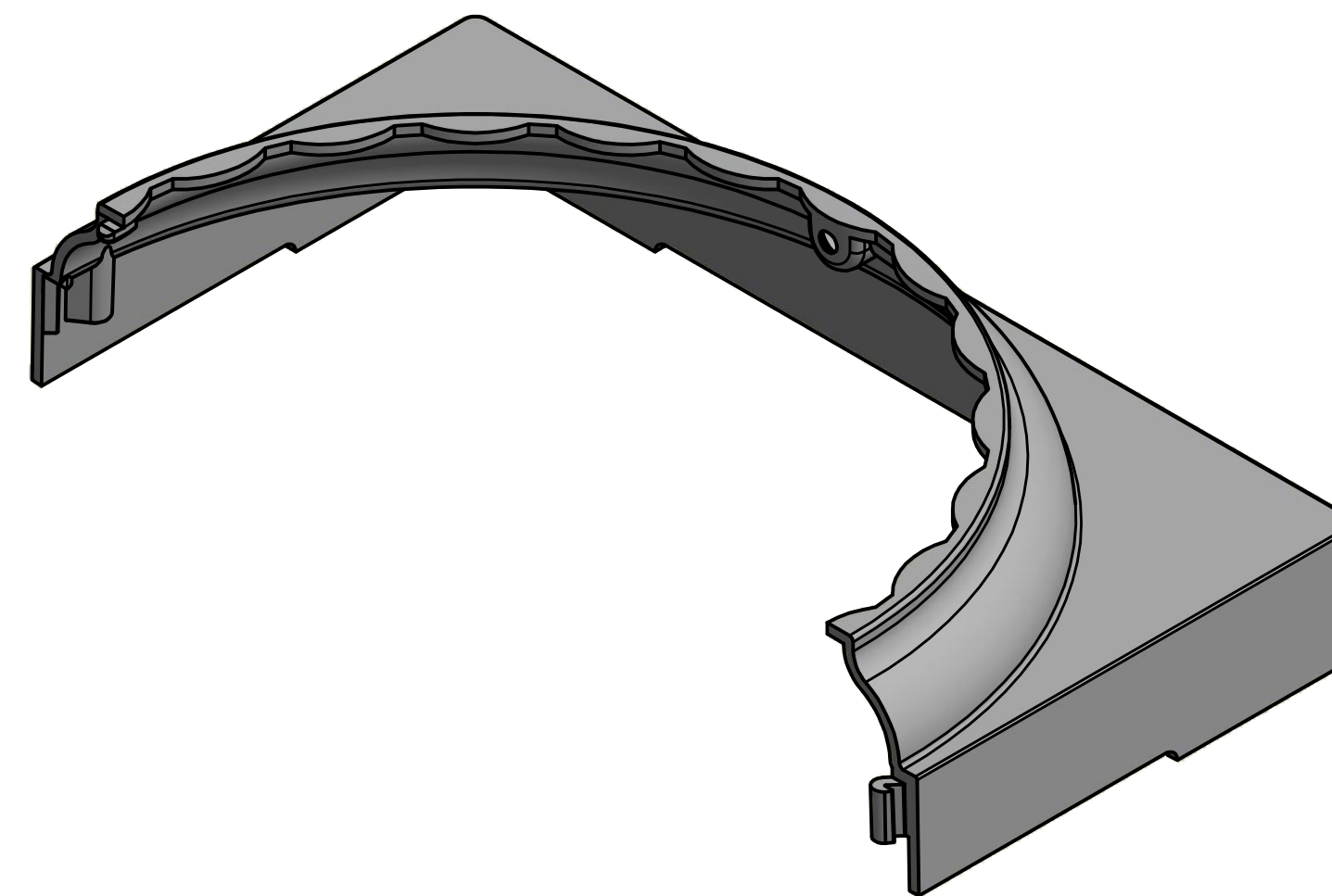
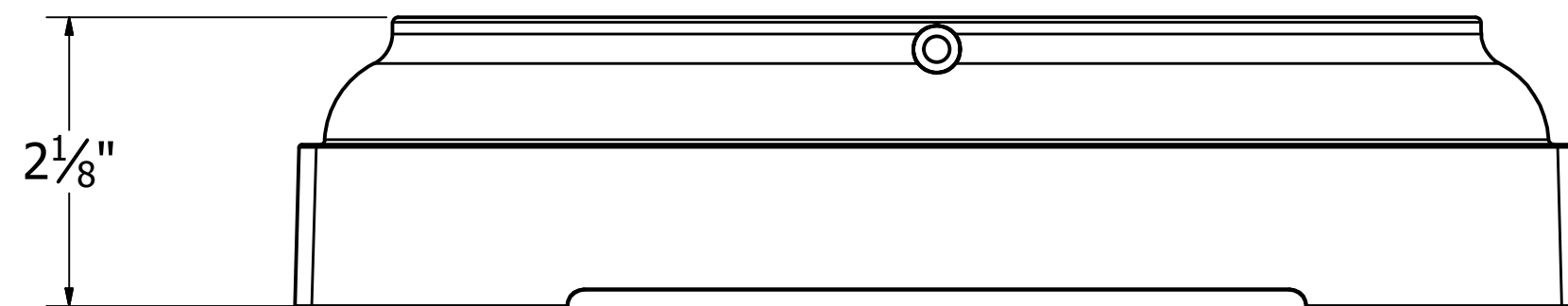
2

1

REV.	DESCRIPTION	DATE

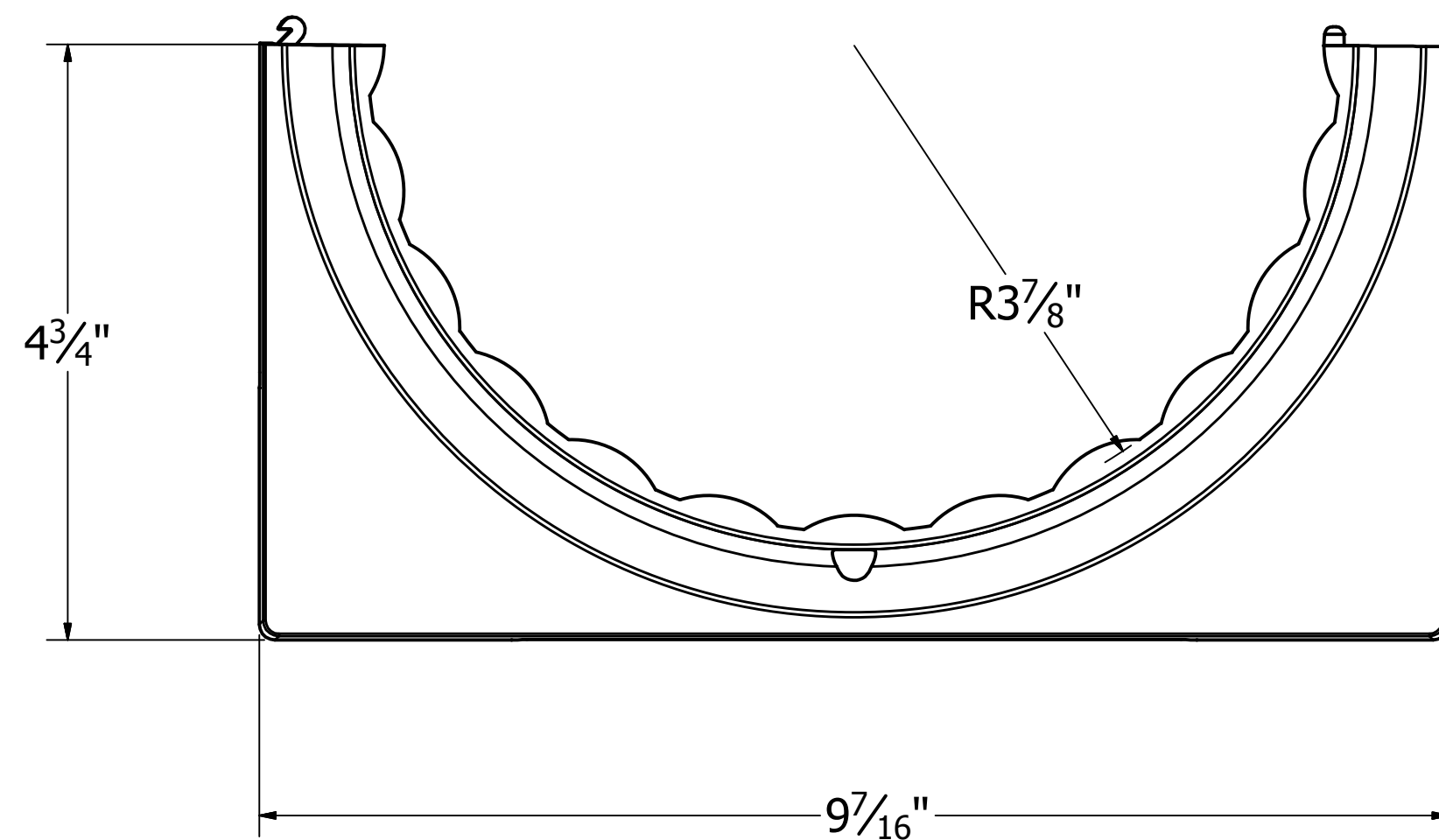
D

D



C

C



B

B

B

B

A

A

4

3

4

2

1

**DSI Digger Specialties Inc.**  
 3446 US 6 EAST  
 BREMEN, IN 46506  
 www.diggerspecialties.com

WEIGHT: .477 lbs/Ea	DRAWN BY: WJM
STANDARD TOLERANCE: .00 \ .01 .000 \ .005 ANG. \ .5~	DATE DRAWN: 7/12/2016
FRACTIONS: ± 1/16"	DRAFT NO. 20160712-1W
FILE LOC: Z:\Aluminum\DSI Columns\Rnd Fluted Columns\8 Inch\55943 8in. Rnd Fluted Split Base.idw	

MATERIAL: Cast Aluminum
PART NAME: 55943 8in. Rnd Fluted Split Base.idw
PART NUMBER: 55943
REV.