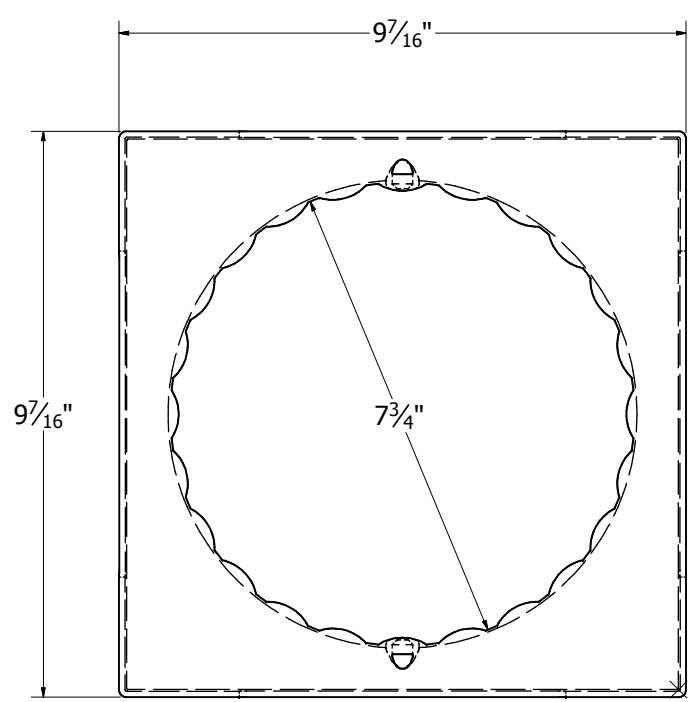
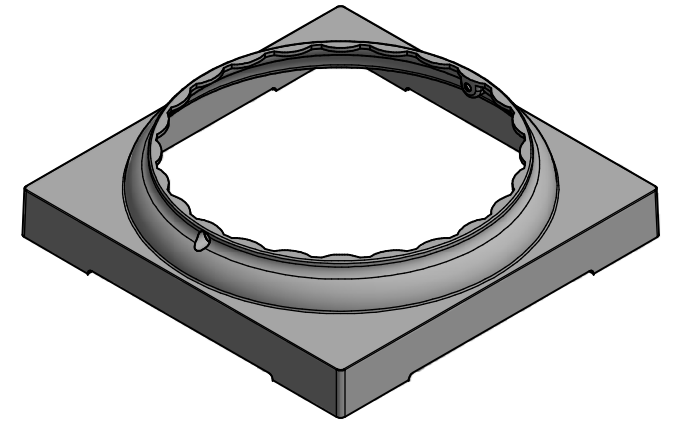
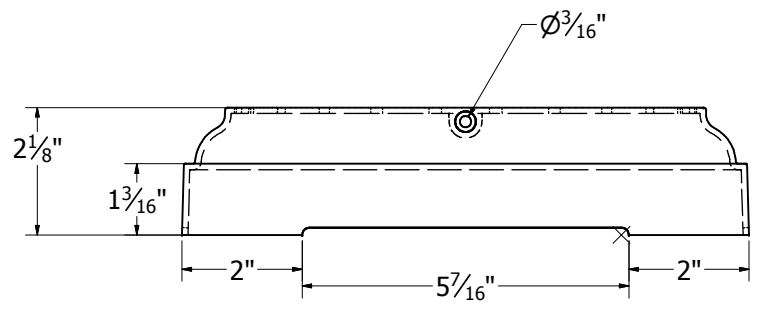



REV.	DESCRIPTION	DATE



Volume - 9.638 in<sup>3</sup>

 <b>DSI Digger Specialties Inc.</b> 3446 US 6 EAST BREMEN, IN 46506 <a href="http://www.diggerspecialties.com">www.diggerspecialties.com</a>	WEIGHT: .963 lbs/Ea	DRAWN BY: WJM	MATERIAL:
	STANDARD TOLERANCE: .00 .01 .000 .005 ANG. .5~	DATE DRAWN: 2/13/2014	Cast Aluminum
	FRACTIONS: ± 1/16"	DRAFT NO. 20140213-2W	PART NAME: 55833 8in. Rnd Fluted Base.idw
	FILE LOC: Z:\Aluminum\DSI Columns\Rnd Fluted Columns\8 Inch\55833 8in. Rnd Fluted Base.idw		PART NUMBER: 55833
			REV.