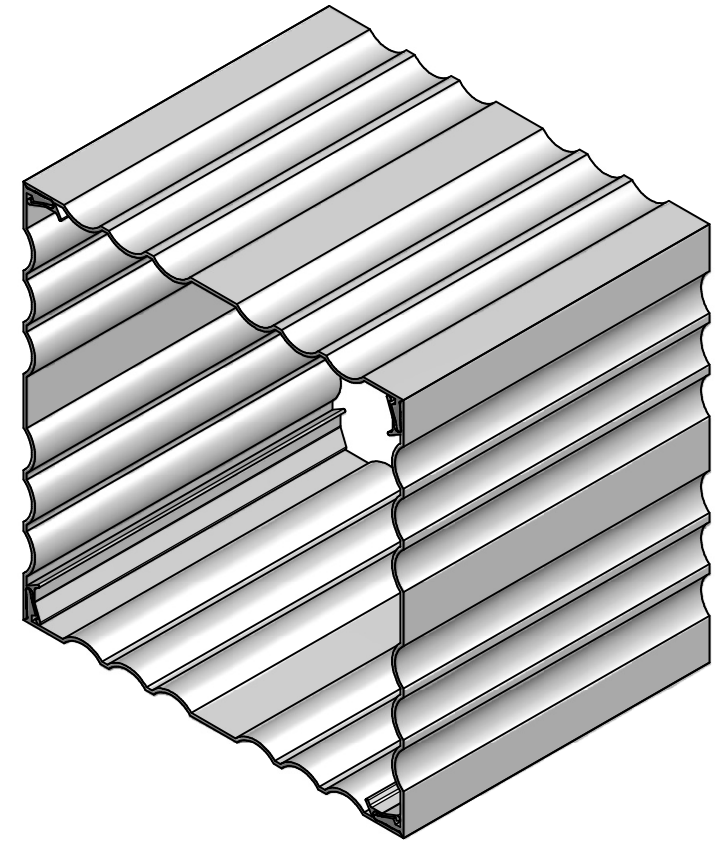
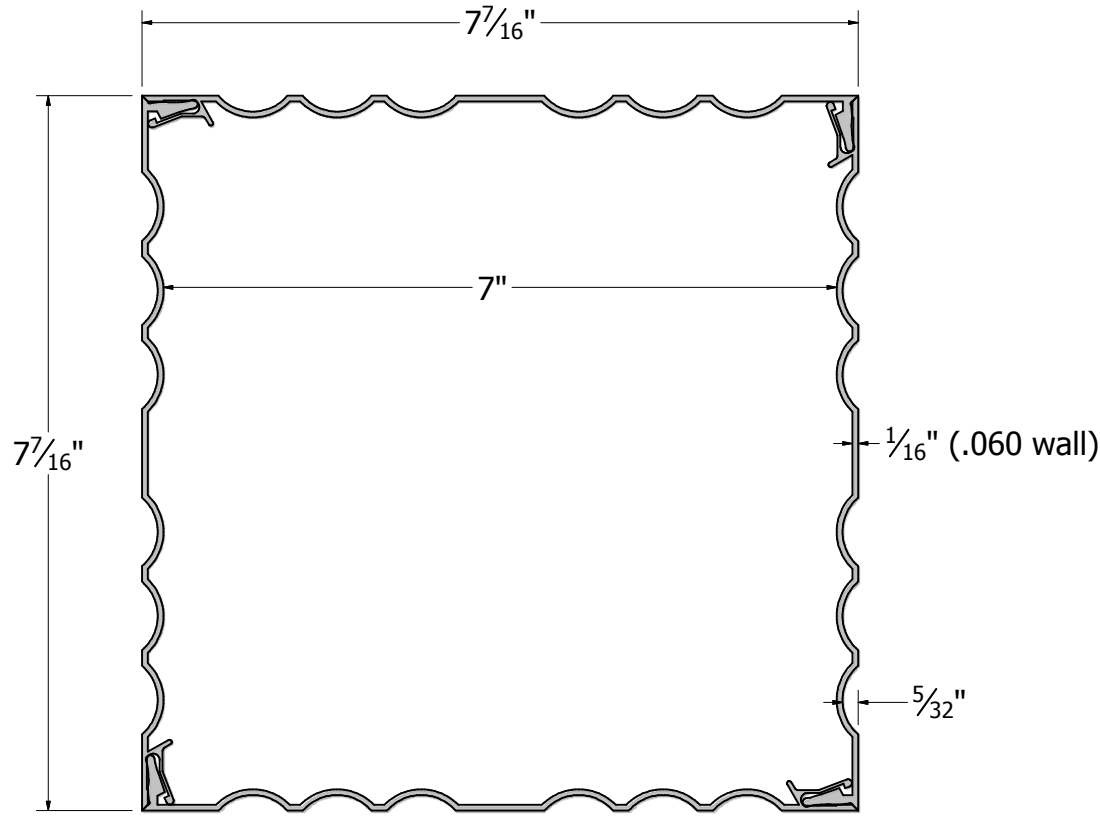



REV.	REVISION	DATE



 DSI Digger Specialties Inc. 3446 US 6 EAST BREMEN, IN 46506 www.diggerspecialties.com	WEIGHT: 2.724 lb/ft	DRAWN BY: FSB	MATERIAL:	
	STANDARD TOLERANCE: .00 ~ .01 .000 ~ .005 ANG. .5~	DATE DRAWN: 2/17/2012	Aluminum	
	FRACTIONS: ± 1/16"	DRAFT NO. 20120217-1	PART NAME: 8" Alum Column SQ. Fluted	
	FILE LOC: Z:\Aluminum\DSI Columns\Sq. Fluted Columns\8 Inch\Alum Column SQ.Fluted 8.idw	PART NUMBER: 53013 - 53019		REV.