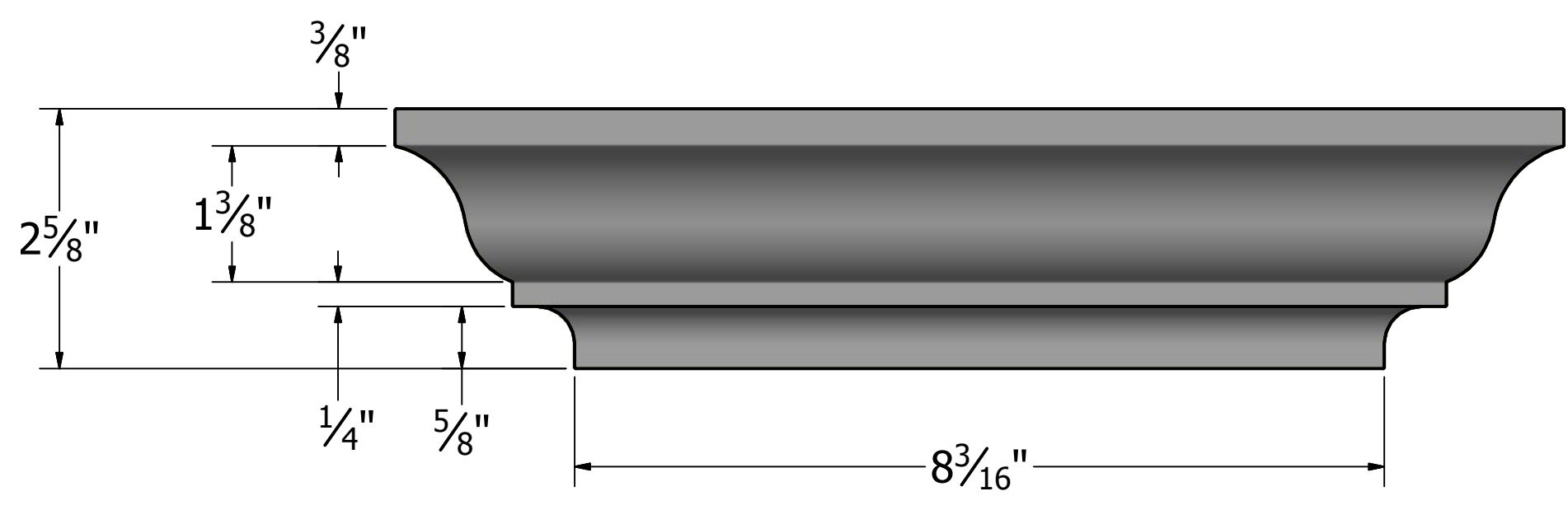
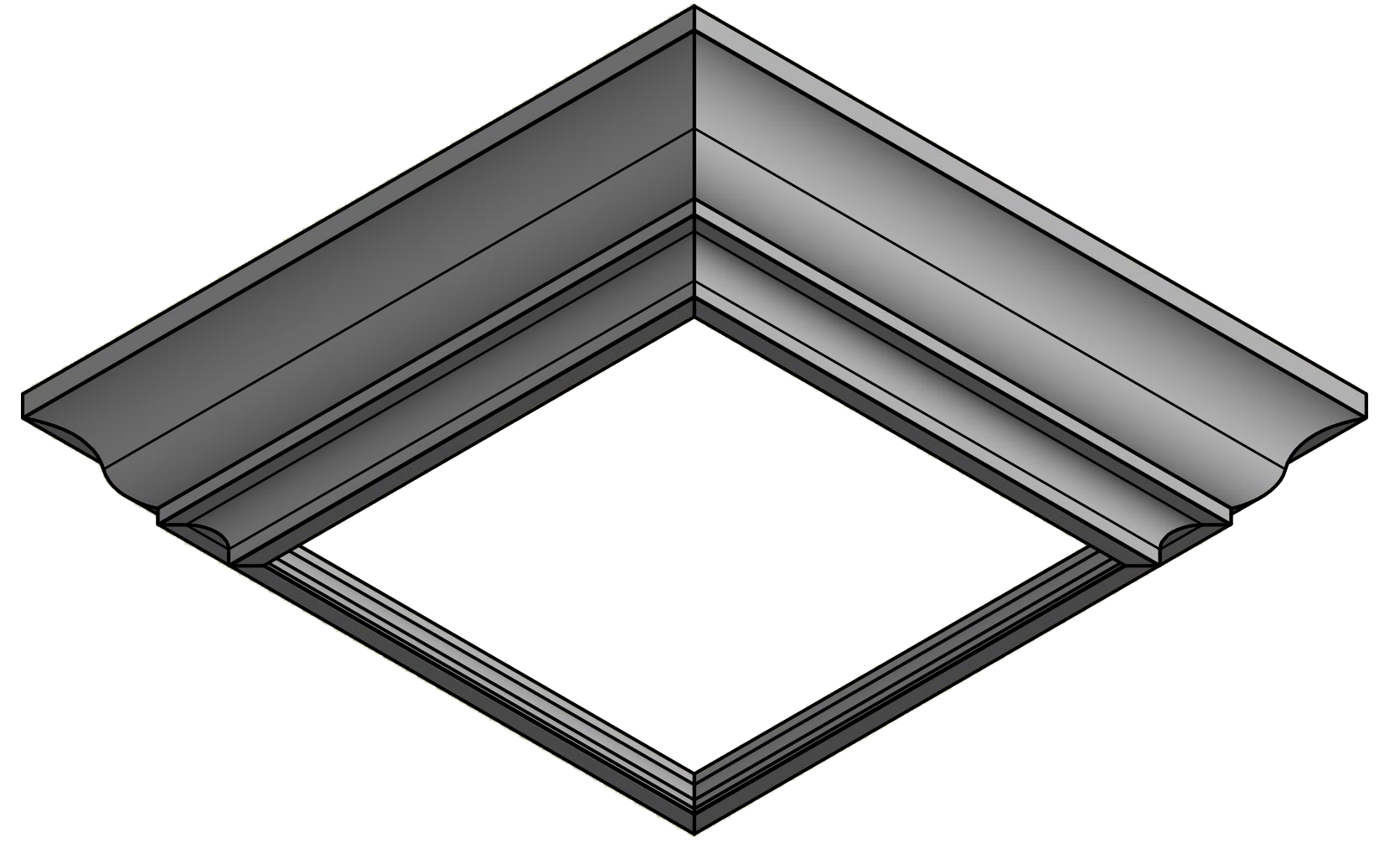
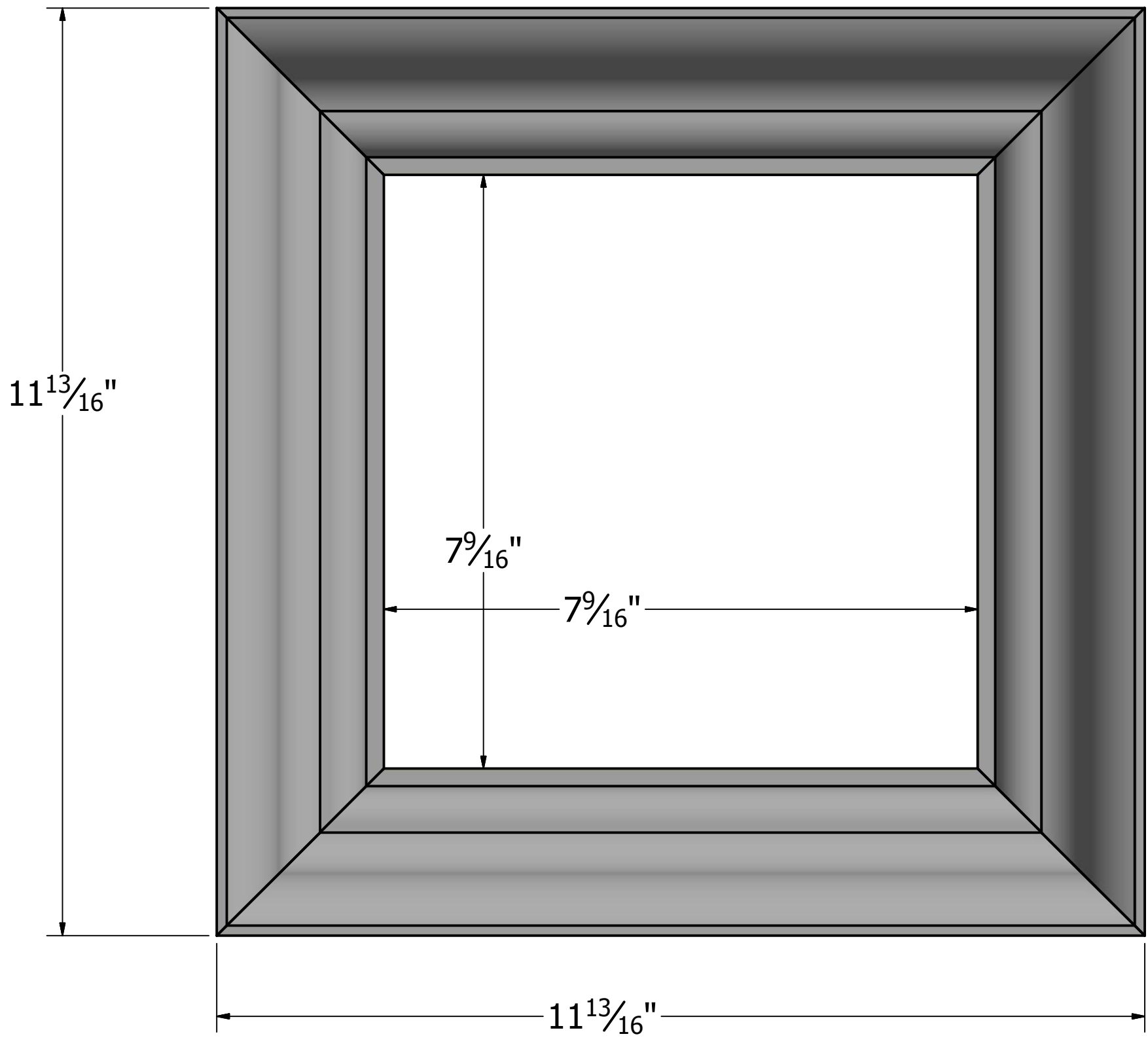
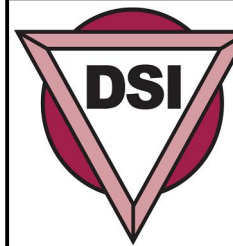


REV.	DESCRIPTION	DATE
A	Changed: inside width 7-9/16", was 7-5/16"; overall width 11-13/16, was 11-7/16; height 2-5/8; was 3-1/16.	06/08/2016



 <p>DSI Digger Specialties Inc. 3446 US 6 EAST BREMEN, IN 46506 www.diggerspecialties.com</p>	WEIGHT: 1.407 lb/ea	DRAWN BY: fsb	MATERIAL: Aluminum
	STANDARD TOLERANCE: .00 \ .01 .000 \ .005 ANG. \ .5~	DATE DRAWN: 4/1/2014	PART NAME: 55841 8in Sq. Smooth Capital.idw
	FRACTIONS: $\pm \frac{1}{16}$ "	DRAFT NO. 20140414-3F	PART NUMBER: 55841
FILE LOC: Z:\Aluminum\DSI Columns\Sq. Plain Columns\8 Inch\55841 8in Sq. Smooth Capital.idw			REV. A